



# FoodSaver

VACUUM SEALING SYSTEM  
SYSTÈME D'EMBALLAGE SOUS VIDE  
VAKUUMVERPACKUNGSSYSTEM  
SISTEMA DE ENVASADO AL VACÍO  
SISTEMA PARA EMBALAR EM VÁCUO  
SISTEMA DI CONFEZIONAMENTO SOTTOVUOTO  
VACUÛMVERPAKINGSSYSTEM  
VAKUUMFÖRSEGLINGSSYSTEM  
ΤΥΗΙÖΠΑΚΚΑUSΛΑΙΤΕ

VAKUUMFORSEGLINGSSYSTEM  
VAKUUMFORSEGLINGSSYSTEM  
SYSTEM PAKOWANIA PRÓŻNIOWEGO  
VAKUOVÁ BALIČKA  
VÁKUOVÁ BALIČKA POTRAVIN  
SISTEM DE SIGILARE ÎN VID  
СИСТЕМА ЗА ВАКУМИРАНЕ И ЗАПЕЧАТВАНЕ  
ΣΥΣΤΗΜΑ ΣΦΡΑΓΙΣΗΣ ΣΤΟ ΚΕΝΟ



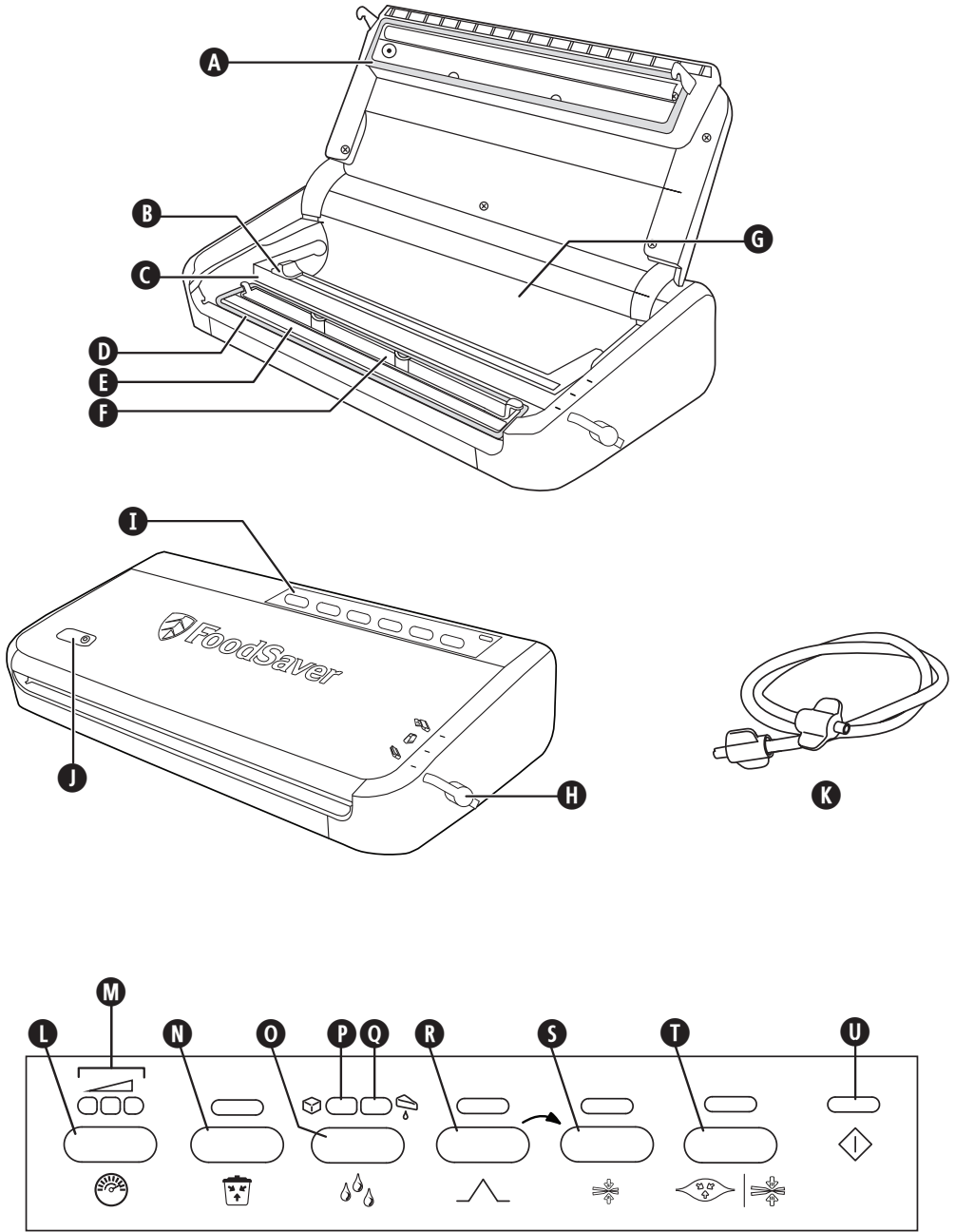
**EN** REFERENCE GUIDE  
**FR** GUIDE DE RÉFÉRENCE  
**DE** GUIDE DE RÉFÉRENCE ANLEITUNG  
**ES** GUÍA DE REFERENCIA  
**PT** INSTRUÇÕES DE UTILIZAÇÃO  
**IT** GUIDA DI RIFERIMENTO  
**NL** HANDLEIDING  
**SE** REFERENSGUIDE  
**FI** OPASKIRJA

**DK** BRUKSANVISNING  
**NO** BRUKSANVISNING  
**PO** PRZEWODNIK  
**CZ** REFERENČNÍ PŘÍRUČKA  
**SK** REFERENČNÁ PRÍRUČKA  
**RO** GHID DE REFERINȚĂ  
**BG** РЪКОВОДСТВО  
**GK** ΟΔΗΓΟΣ ΑΝΑΦΟΡΑΣ

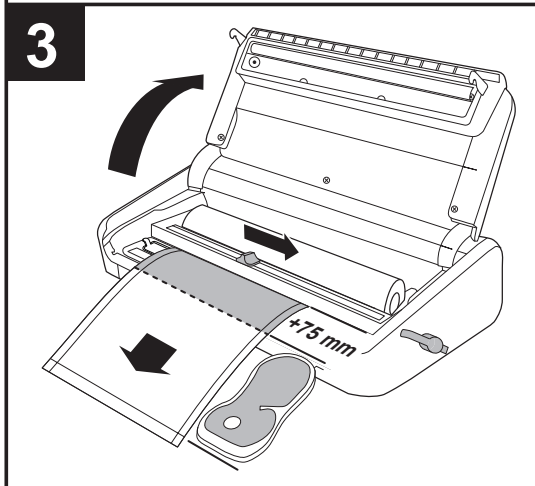
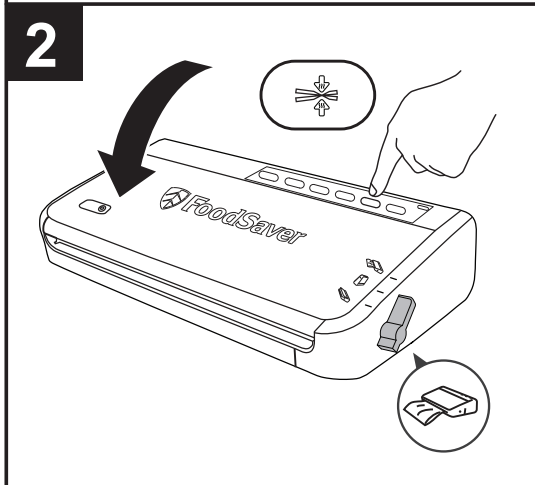
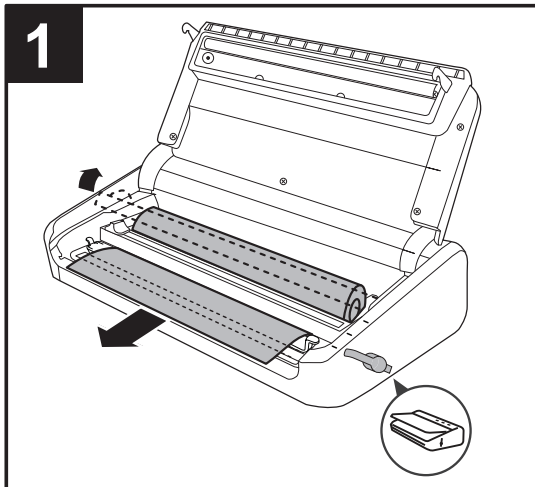
**FFS005X / IFS005X**

English	5
Français/French	11
Deutsch/German	17
Español/Spanish	23
Português/Portuguese	29
Italiano/Italian	35
Nederlands/Dutch	41
Svenska/Swedish	47
Suomi/Finnish	53
Dansk/Danish	59
Norsk/Norwegian	65
Polski/Polish	71
Česky/Czech	77
Slovenčina/Slovakian	83
Română/Romanian	89
български/Bulgarian	95
ΕΛΛΗΝΙΚΑ/Greek	101

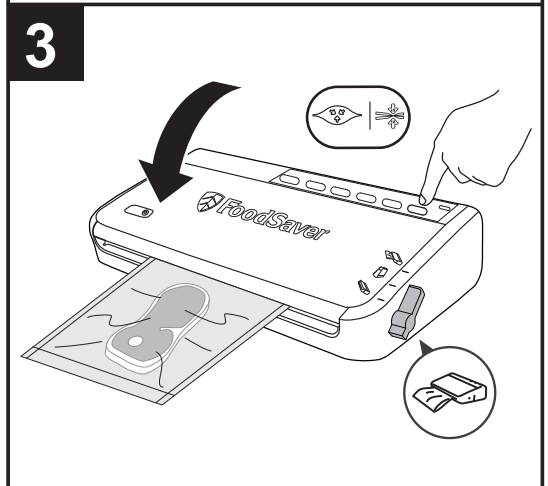
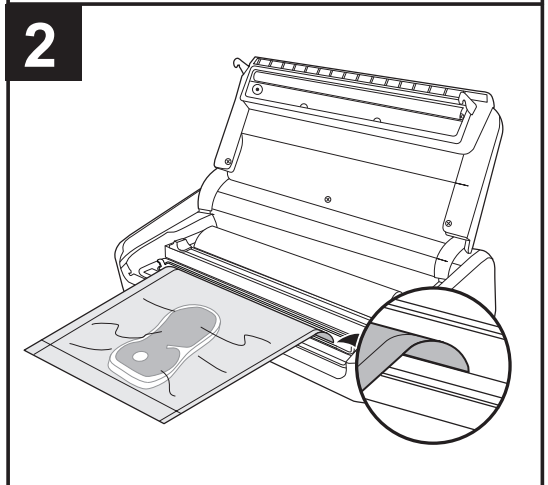
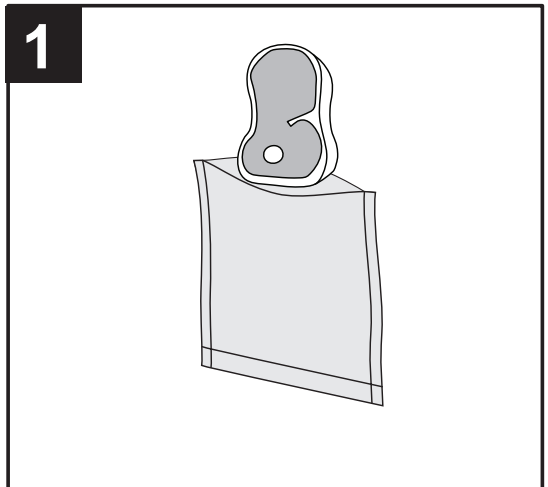
**FIG. 1**



**FIG. 2**



**FIG. 3**



## Important Safeguards

---

This appliance can be used by children aged from 8 years and above and persons with reduced physical, sensory or mental capabilities or lack of experience and knowledge if they have been given supervision or instruction concerning use of the appliance in a safe way and understand the hazards involved. Children shall not play with the appliance. Cleaning and user maintenance shall not be made by children without supervision.

If the supply cord is damaged, it must be replaced by the manufacturer, or its service agent or a similarly qualified person in order to avoid a hazard.

- Always use the appliance on a stable, secure, dry and level surface.
- CAUTION: THIS SEALER IS NOT FOR COMMERCIAL USE. Never use this appliance for anything other than its intended use. This appliance is for household use only. Do not use this appliance outdoors.
- Never immerse the appliance or power cord and plug in water or any other liquid.
- Do not use the appliance if it has been dropped or if there are any visible signs of damage.
- Ensure the appliance is switched off and unplugged from the supply socket after use, before cleaning.
- To disconnect, unplug the power cord from the electrical outlet. Do not disconnect by pulling on the cord.
- Do not use an extension cord with the appliance.
- Use only accessories or attachments recommended by the manufacturer.
- When reheating foods in FoodSaver bags make sure to place them in water at a low simmering temperature below 75°C (170°F).
- FOODS INSIDE BAG CAN BE DEFROSTED BUT NOT REHEATED IN A MICROWAVE OVEN. When defrosting foods in the microwave in FoodSaver bags make sure not to exceed maximum power of 180 watts (defrost setting), maximum time of 2 minutes and maximum temperature of 70°C (158°F).

### SAVE THESE INSTRUCTIONS

## The FoodSaver System

---

### Why Vacuum Package?

Exposure to air causes food to lose nutrition and flavour, and also causes freezer burn and enables many bacteria, mould and yeast to grow. The FoodSaver vacuum packaging system removes air and seals in flavour and quality. With a full line of FoodSaver bags, and canisters to expand your options, you can now enjoy the benefits of a scientifically proven food storage method that keeps food fresh up to five times longer.

### The FoodSaver System Saves Time and Money

- **Spend less money.** With the FoodSaver system, you can buy in bulk or buy on sale and vacuum package your food in desired portions without wasting food.
- **Save more time.** Cook ahead for the week, preparing meals and saving them in FoodSaver bags.
- **Marinate in minutes.** Vacuum packaging opens up the pores of food so you can get that great marinated flavour in just 20 minutes instead of overnight.
- **Make entertaining easy.** Make your signature dish and holiday treats in advance so you can spend quality time with your guests.
- **Enjoy seasonal or specialty foods.** Keep highly perishable or infrequently used items fresh longer.
- **Control portions for dieting.** Vacuum package sensible portions and write calories and/or fat grams on the bag.
- **Protect non-food items.** Keep camping and boating supplies dry and organised for outings. Protect polished silver from tarnishing by minimising exposure to air.

## FoodSaver Accessories

---

Get the most out of your FoodSaver appliance with easy-to-use FoodSaver bags, canisters and accessories.

### FoodSaver Bags and Rolls

FoodSaver bags and rolls feature special channels that enable the efficient removal of air. The multi-ply construction makes them an especially effective barrier to oxygen and moisture and helps to prevent freezer burn. FoodSaver bags and rolls come in a variety of sizes.

### FoodSaver Canisters

FoodSaver canisters are simple to use and ideal for vacuum packaging delicate items such as muffins and other baked goods, liquids and dry goods.

### FoodSaver Bottle Stopper

Use FoodSaver bottle stoppers to vacuum package wine, non-carbonated liquids and oils. This will extend the life of the liquid and preserve the flavour. Don't use the bottle stopper on plastic bottles.

### FoodSaver Quick Marinator

The quick marinator infuses food with flavour in minutes instead of hours using vacuum power to penetrate marinades deep into the food.

### Ordering

To order FoodSaver bags, rolls and accessories please visit [www.foodsaver.co.uk](http://www.foodsaver.co.uk).

# Parts

See figure 1

- |                              |  |
|------------------------------|--|
| <b>A</b> Upper gasket        | <b>L</b> Speed button                    |
| <b>B</b> Roll cutter         | <b>M</b> Speed lights (Slow/Normal/Fast) |
| <b>C</b> Roll cutter bar     | <b>N</b> Canister/Accessory button       |
| <b>D</b> Lower gasket        | <b>O</b> Food Type button                |
| <b>E</b> Sealing strip       | <b>P</b> Dry Food light                  |
| <b>F</b> Removable drip tray | <b>Q</b> Moist Food light                |
| <b>G</b> Roll storage        | <b>R</b> Pulse Vacuum button             |
| <b>H</b> Latch               | <b>S</b> Instant Seal button             |
| <b>I</b> Control panel       | <b>T</b> Vacuum and Seal button          |
| <b>J</b> Accessory port      | <b>U</b> Power light                     |
| <b>K</b> Accessory hose      |  |

## Making a bag from a FoodSaver roll

You can make your own custom sized bags from a FoodSaver roll. Referring to Fig. 2:

1. Plug your vacuum sealer in to a mains supply socket. Move the latch **H** to the open position (🔓) and open the lid. If you haven't already done so, place the FoodSaver roll into the storage area **G** then lift up the roll cutter bar **C** and feed the roll end under the bar. Pull the roll end out until about 10mm of the roll overlaps the sealing strip **E**.
2. Close the lid all the way and move the latch **H** to the closed position (🔒). Press the Instant Seal button **S**. When the sealing light goes out, open the lid. The end of the roll will now have been sealed.
3. Pull the roll out to the required length for the item being packaged. Add an extra 75mm to allow the bag to be sealed then slide the roll cutter **B** across to cut the roll.

You can then start to use your vacuum sealer (refer to *Using Your Vacuum Sealer*).

## Using Your Vacuum Sealer

Referring to Fig. 3:

1. Place the item to be packaged into the bag. You can use a ready made FoodSaver bag or make your own from a FoodSaver roll.
2. Place the open end of the bag into the slot of the drip tray **F**.
3. Close the lid and move the latch **H** to the closed position (🔒).
4. If desired, press the Speed button **L** to select the Fast, Normal or Slow speed setting. Select Slow for delicate foods; Normal for average sized bags, canisters and all accessories; Fast for larger sized bags and canisters.
5. If you are packaging foods that are moist or are very juicy, press the Food Type button **O** once (the Moist Food light **Q** comes on). For dry foods, make sure the Dry Food light **P** remains on (this is the default).

6. Press the Vacuum and Seal button **T**. Your FoodSaver appliance will start to remove the air from the bag. When the vacuum progress light has gone out, the bag starts to seal (the sealing progress light comes on).
7. The process is complete when the sealing progress light goes out.

### Sealing a bag without removing any air

To seal a bag without extracting the air from it press the Instant Seal button **S** (the process is complete when the sealing light goes out). You can seal the types of bag that are used to package snacks such as potato crisps, tortilla chips, etc.

### Using the Pulse Vacuum button

Some items such as pastries, bread, biscuits, etc. can be crushed when vacuuming. To prevent this use the Pulse Vacuum button **R** as follows:

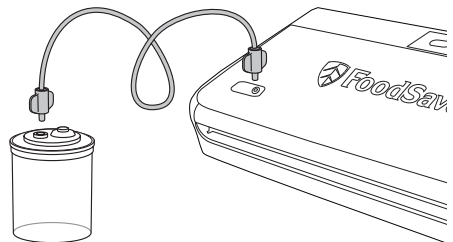
1. Follow steps 1, 2, 3, 4 and 5 of *Using Your Vacuum Sealer*.
2. Press and hold the Pulse Vacuum button **R** as required. The vacuum pump will operate as long as the button is held down. Release the button before crushing occurs. This will immediately stop any more air from being extracted.
3. Press the Instant Seal button **S** immediately after vacuuming. The sealing progress light will come on. The process is complete when the sealing progress light goes out.

**NOTE:** If the vacuum pump stops while pressing the Pulse Vacuum button, it means the maximum vacuum has been reached and no more air can be extracted.

### Using FoodSaver accessories

1. Insert one end of the accessory hose **K** into the accessory port **J** on the FoodSaver appliance. Insert the other end of the hose into the port on the accessory and make sure that it is connected firmly. Follow any specific instructions that come with the FoodSaver accessory.
2. Close the lid and move the latch **H** to the closed position (🔒).
3. Press the Canister/Accessory button **N**. The process is complete when the progress light goes out.

**NOTE:** The length of time required to extract all the air from the accessory will depend on the size of the accessory.



# Storage Guide, Hints and Tips

## Vacuum Packaging and Food Safety

The vacuum packaging process extends the life of foods by removing most of the air from the sealed container, thereby reducing oxidation, which affects nutritional value, flavour and overall quality. Removing air can also inhibit growth of microorganisms, which can cause problems under certain conditions:

To preserve foods safely, it is critical that you maintain low temperatures. You can significantly reduce the growth of microorganisms at temperatures of 4°C or below.

Freezing at -17°C does not kill microorganisms, but stops them from growing. For long-term storage, always freeze perishable foods that have been vacuum packaged, and keep refrigerated after thawing.

It is important to note that vacuum packaging is NOT a substitute for canning and it cannot reverse the deterioration of foods. It can only slow down the changes in quality. It is difficult to predict how long foods will retain their top-quality flavour, appearance or texture because it depends on age and condition of the food on the day it was vacuum packaged.

<b>Foods</b>	<b>Storage Life</b>
Beef, Pork, Lamb, Poultry	2-3 years
Minced Meat	1 year
Fish	2 years
Hard Cheeses (Cheddar, Parmesan, Edam, Gouda, etc.)	4-8 months
Asparagus, Broccoli, Carrot, Cauliflower, Cabbage, Brussels Sprouts, Green Beans, Peas, Corn, etc.	2-3 years
Lettuce, Spinach, etc.	2 weeks
Apricots, Plums, Peaches, Nectarines, etc	1-3 years
Soft Berries (Raspberries, Blackberries, Strawberries, etc)	1 week
Hard Berries (Blueberries, Cranberries, etc.)	2 weeks
Bread, Bagels, Pastries	1-3 years
Nuts and Seeds	2 years
Coffee Beans	1 year
Ground Coffee	5-6 months
Powdered Goods (Sugar, Flour, etc.)	1-2 years
Sauces, Soups, Stews, etc.	1-2 years
Dried Goods (Beans, Pasta, Rice, Grains, etc.)	1-2 years
Potato Crisps, Biscuits, Crackers, etc.	3-6 weeks

**IMPORTANT:** Vacuum packaging is NOT a substitute for refrigeration or freezing. Any perishable foods that require refrigeration must still be refrigerated or frozen after vacuum packaging. To avoid possible illness, do not reuse bags after storing raw meats, raw fish or greasy foods. Do not reuse bags that have been microwaved or simmered.

**Thawing and Reheating Vacuum Packaged Foods**

FOODS INSIDE BAG CAN BE DEFROSTED BUT NOT REHEATED IN A MICROWAVE OVEN.

**Defrosting** - Always thaw foods in a refrigerator or a microwave oven — do not thaw perishable foods at room temperature.

Make sure to cut off the corner of the bag before placing it in the microwave. We recommend that you place the bag on a microwave-safe dish to avoid liquids from spilling out.

**Reheating** - To reheat foods in a microwave oven, remove it from bag and place it on a microwave-safe dish.

You can also reheat foods in FoodSaver bags by placing them in water at a low simmering temperature below 75°C (170°F). Make sure the food is fully heated throughout.

Where to Store	Remarks
Freezer	Pre-freeze moist foods before vacuum packaging. Alternatively, place a folded paper towel between the food and the end of the bag to absorb excess liquid. Remember to leave 75mm of space after the towel to allow room for the seal to be created. <b>Note:</b> Beef may appear darker after vacuum packaging due to the removal of oxygen. This is not an indication of spoilage.
Freezer	
Freezer	
Refrigerator	To keep cheese fresh vacuum package it after each use. Make the bags extra long to allow 25mm for each new seal required. NEVER vacuum package soft cheeses.
Always store in the freezer	Blanch vegetables until they are cooked but still crisp before packaging. Freeze before packaging. Separate during freezing to avoid vegetables sticking together when they are packaged. NEVER vacuum package fresh mushrooms.
Refrigerator	Wash then dry. For best results, package using a FoodSaver canister.
Freezer	Pre-freeze soft fruits and berries before packaging. Separate during freezing to avoid fruits sticking together when they are packaged.
Refrigerator	
Refrigerator	
Freezer	We recommend using a FoodSaver canister to avoid crushing. Alternatively, pre-freeze until solid.
Pantry	
Pantry	To prevent food particles from being drawn into the vacuum pump, place a coffee filter or paper towel at top of the bag or canister before vacuum packaging. You can also place the food in its original bag inside a FoodSaver bag.
Pantry	
Pantry	
Freezer	Pre-freeze in a suitable container until solid. Remove frozen liquid and vacuum package in a FoodSaver Bag.
Pantry	
Pantry	For best results, use a FoodSaver canister for crushable items like crackers.



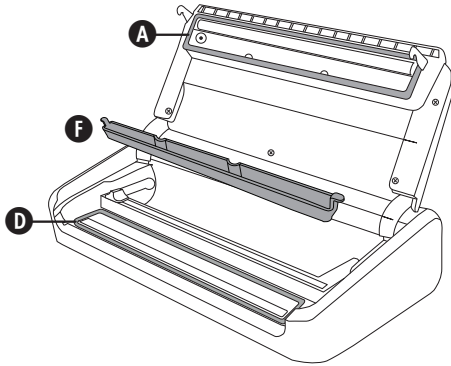
## Care and Cleaning

**Never immerse the unit or power cord and plug in water or any other liquid. Always unplug the unit before cleaning.**

Wipe over the body of the appliance with a soft dry cloth.

Remove and empty the drip tray **F** after each use. Wash it in warm soapy water or place it in the top rack of a dishwasher. Dry thoroughly before refitting.

Check the upper gasket **A**, lower gasket **D** and around the drip tray to make sure they are free from food debris. Wipe the gaskets with a warm soapy cloth if needed. The gaskets may be removed for cleaning. Clean them with warm, soapy water. Dry thoroughly then carefully refit.

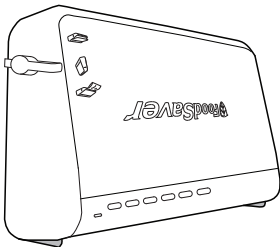


To keep your FoodSaver appliance operating effectively, we recommend that you replace the gaskets every year.

To order replacements, please visit [www.foodsaver.co.uk](http://www.foodsaver.co.uk) or contact FoodSaver Brand Customer Service on **0800 525 089**.

## Storage

1. Close the lid and move the latch **H** to the storage position (H). This is enough to secure the lid but avoids compressing the gaskets (which may cause incorrect functioning of the unit).
2. Raise the front of the appliance and stand it on the storage feet in an upright position.



## Guarantee

Please keep your receipt as this will be required for any claims under this guarantee.

This appliance is guaranteed for 2 years after your purchase as described in this document.

During this guaranteed period, if in the unlikely event the appliance no longer functions due to a design or manufacturing fault, please take it back to the place of purchase, with your till receipt and a copy of this guarantee.

The rights and benefits under this guarantee are additional to your statutory rights, which are not affected by this guarantee. Only Jarden Consumer Solutions (Europe) Limited ("JCS (Europe)") has the right to change these terms.

JCS (Europe) undertakes within the guarantee period to repair or replace the appliance, or any part of appliance found to be not working properly free of charge provided that:

- you promptly notify the place of purchase or JCS (Europe) of the problem; and
- the appliance has not been altered in any way or subjected to damage, misuse, abuse, repair or alteration by a person other than a person authorised by JCS (Europe).

Faults that occur through, improper use, damage, abuse, use with incorrect voltage, acts of nature, events beyond the control of JCS (Europe), repair or alteration by a person other than a person authorised by JCS (Europe) or failure to follow instructions for use are not covered by this guarantee. Additionally, normal wear and tear, including, but not limited to, minor discoloration and scratches are not covered by this guarantee.

The rights under this guarantee shall only apply to the original purchaser and shall not extend to commercial or communal use.

If your appliance includes a country-specific guarantee or warranty insert please refer to the terms and conditions of such guarantee or warranty in place of this guarantee or contact your local authorized dealer for more information.

Waste electrical products should not be disposed of with Household waste. Please recycle where facilities exist. E-mail us at [enquiriesEurope@jardencs.com](mailto:enquiriesEurope@jardencs.com) for further recycling and WEEE information.

Jarden Consumer Solutions (Europe) Limited  
5400 Lakeside  
Cheadle Royal Business Park  
Cheadle  
SK8 3GQ  
United Kingdom



# Troubleshooting

Problem	Solution
The Instant Seal light is flashing when trying to seal.	Under very heavy usage, this will happen to prevent overheating. If this happens wait 20 minutes to allow appliance to cool off. During use, always wait at least 20 seconds before you begin vacuum packaging another item.
Pump operates for more than 2 minutes without air being removed.	Make sure the open end of the bag is inserted into the drip tray within the lower gasket area. Check to make sure both gaskets are fitted properly and not damaged. Check to make sure that at least one end of the bag is sealed. Open the unit and check to make sure that there are no foreign objects, dirt or debris on the upper or lower gaskets. Make sure there is enough room at the top of the bag (75 mm) so it will fit into the drip tray with lid closed and latched. Make sure the accessory hose is not attached. Make sure the lid is fully closed with the latch in the closed position.
Bag is not sealing properly.	There is moisture or grease in the bag at the sealing point. Wipe away any excess moisture with a clean, dry paper towel. There is too much liquid in the bag. Freeze the bag contents before vacuuming. There is a crease on the seal line. Gently stretch the bag flat while inserting the bag into the drip tray and continue to hold bag until vacuum pump starts. If this has already been done and the bag still does not seal, create a second seal above the first one.
Nothing happens when the lid is closed and the Vacuum and Seal button or Instant Seal button is pressed.	Make sure the lid is fully closed with the latch in the closed position.
The Power light has gone out when the lid is closed and the latch is in the closed position.	If the appliance is left untouched for 12 minutes, it will enter Standby mode and all indicator lights will remain off. Press the appropriate function button to return to the required mode (e.g. Vacuum and Seal).

## Installation of a plug

If the plug is not suitable for the socket outlets in your home, it can be removed and replaced by a plug of the correct type. If you remove the plug it must not be connected to a 13 amp socket and the plug must be disposed of immediately.

NOTE: If the terminals in the plug are not marked or if you are unsure or in doubt about the installation of the plug please contact a qualified electrician.

If a 13A 3-pin plug is fitted, it must be an ASTA approved plug, conforming to BS1363 standard. Replacement fuses must be BSI or ASTA BS1362 approved.

The wires in the mains lead are coloured as such:

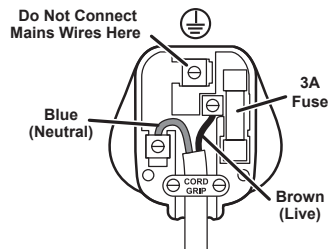
- BROWN - LIVE
- BLUE - NEUTRAL

Please note that the colour of these mains wires may not correspond with the colour markings that identify the terminals in your plug.

The BROWN coloured wire must be connected to the terminal, which is marked with the letter "L" or is coloured RED.

The BLUE coloured wire must be connected to the terminal, which is marked with the letter "N" or is coloured BLACK.

DO NOT CONNECT either of these wires to the earth terminal in the plug. The earth terminal plug is marked with the letter "E", or with the earth symbol  $\perp$ , or coloured GREEN, or GREEN and YELLOW.



## Consignes importants

---

Cet appareil peut être utilisé par des enfants à partir de 8 ans, ainsi que par des personnes aux capacités physiques, sensorielles ou intellectuelles réduites, ou encore par des personnes n'ayant aucune connaissance ou expérience en relation avec le produit à condition que ces personnes soient supervisées ou reçoivent des instructions claires concernant la sécurité et les risques encourus. Les enfants ne doivent pas jouer avec l'appareil. Le nettoyage et la maintenance utilisateur ne doivent pas être effectués par des enfants sans supervision.

Si le cordon d'alimentation ou la fiche sont endommagés, ils doivent être remplacés par le fabricant, son réparateur agréé ou une personne jouissant d'une qualification similaire de manière à éviter tout danger.

- Utilisez toujours l'appareil sur une surface stable, sûre, sèche et horizontale.
- ATTENTION: CE SOUDE-SAC NE CONVIENT PAS À L'USAGE COMMERCIAL. N'utilisez ce produit qu'aux fins pour lesquelles il est prévu. Cet appareil est conçu exclusivement pour une utilisation domestique. N'utilisez pas cet appareil à l'extérieur.
- Ne plongez pas, même partiellement, l'appareil ou son cordon dans du liquide.
- N'utilisez pas l'appareil s'il a subi un choc, ou en cas de signes visibles de dommages.
- Assurez-vous que l'appareil est arrêté et débranchez-le avant de le nettoyer.
- Sortez la fiche de la prise pour débrancher l'appareil. Ne tirez pas sur le cordon d'un coup sec.
- N'utilisez pas de cordon de rallonge avec l'appareil.
- Utilisez uniquement les extensions et les accessoires recommandés par le fabricant.
- Pour faire réchauffer des aliments dans des sacs FoodSaver, assurez-vous de les plonger dans l'eau et faire chauffer jusqu'à faible ébullition à une température de moins de 75°C (170°F).
- LES ALIMENTS PLACÉS DANS UN SAC PEUVENT ÊTRE DÉCONGELÉS, MAIS NON RÉCHAUFFÉS AU MICRO-ONDES. Lorsque vous décongelez des aliments au micro-ondes dans un sac FoodSaver, veillez à ne pas dépasser une puissance maximale de 180 W (réglage de décongélation) pendant 2 minutes au plus et une température maximale de 70°C (158°F).

**GARDEZ CES INSTRUCTIONS**

## Le système FoodSaver

---

### Pourquoi emballer sous vide?

Lorsqu'ils sont exposés à l'air, les aliments s'oxydent, ce qui altère leur valeur nutritive et leur saveur, cause la brûlure de congélation et entraîne la prolifération des bactéries, des moisissures et des levures. Le système d'emballage sous vide FoodSaver évacue tout l'air et renferme hermétiquement la saveur et la qualité. La vaste gamme des sacs, et des contenants vous offre de nouvelles perspectives, et vous aide à profiter des avantages d'un mode de conservation qui, il a été prouvé scientifiquement, maintient la fraîcheur des denrées jusqu'à cinq fois plus longtemps.

### Le système FoodSaver fait économiser le temps et l'argent.

- **Dépensez moins.** Avec le système FoodSaver, vous pouvez acheter en vrac et profiter des promotions puis emballer des portions adaptées à votre famille, ce qui élimine le gaspillage.
- **Économisez du temps.** Planifiez les repas de la semaine, préparez-les à l'avance puis mettez-les dans des sacs FoodSaver.
- **Macérez en quelques minutes.** Sceller sous vide dilate les pores des viandes pour les attendrir – vous obtenez ainsi la saveur recherchée en macérant pendant 20 minutes plutôt que d'avoir à attendre jusqu'au lendemain.
- **Recevoir requiert moins d'efforts.** Préparez à l'avance les plats qui ont fait votre réputation et les gourmandises des fêtes, vous passerez ainsi plus de temps avec vos invités.
- **Dégustez les produits saisonniers toute l'année.** Les denrées périssables ou rarement utilisées resteront fraîches plus longtemps.
- **Contrôlez les portions pour les régimes.** Emballez des portions sensées et inscrivez les calories ou la teneur en gras sur le sac.
- **Protégez les articles non comestibles.** Articles de camping et de canotage resteront secs et bien organisés. Empêchez l'argenterie de ternir en minimisant son exposition à l'air.

## Accessoires FoodSaver

---

Profiter totalement de votre appareil FoodSaver avec les Sacs, Pots et Accessoires faciles à utiliser de FoodSaver.

### Les Sacs et Rouleaux FoodSaver

Les Sacs et Rouleaux FoodSaver ont été conçus pour permettre l'évacuation complète et efficace de l'air. Les multiples épaisseurs les rendent particulièrement efficaces contre la pénétration de l'oxygène et de l'humidité, ce qui permet d'éviter les brûlures de congélation. Vous trouverez les Sacs et Rouleaux FoodSaver en plusieurs tailles.

### Les Pots Sous Vide Thermosoudables FoodSaver

Les Pots FoodSaver sont simples à utiliser et parfaits pour emballer des produits délicats tels que muffins et autres pâtisseries, liquides et aliments secs.

### Le Bouchon de Bouteille FoodSaver

Utiliser les Bouchons FoodSaver pour emballer sous vide du vin, des liquides non-gazeux et des huiles. Cela permettra au liquide de durer plus longtemps et de conserver son goût plus longtemps. Évitez d'utiliser les Bouchons sur des bouteilles en plastique.

### Boîte à marinade rapide FoodSaver

La boîte à marinade rapide rehausse la saveur des aliments en quelques minutes au lieu de quelques heures grâce à la pression à vide, qui fait pénétrer profondément les marinades.

## Commande

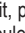

Pour commander des sacs, des rouleaux et des accessoires FoodSaver, rendez-vous sur [www.foodsaver europe.com](http://www.foodsaver europe.com) et sélectionnez votre région.

## Pièces (Voyez la figure 1)

<b>A</b> Joint d'étanchéité supérieur	<b>L</b> Touche Vitesse
<b>B</b> Coupoir du rouleau	<b>M</b> Voyants Vitesse (Rapide/Normale/Lente)
<b>C</b> Barre du coupoir du rouleau	<b>N</b> Touche Bocal/Accessoire
<b>D</b> Joint d'étanchéité inférieur	<b>O</b> Touche Type d'aliment
<b>E</b> Bande de soudure	<b>P</b> Voyant Aliments secs
<b>F</b> Ramasse-gouttes amovible	<b>Q</b> Voyant Aliments à forte teneur en humidité
<b>G</b> Logement du rouleau	<b>R</b> Touche Emballage sous vide par impulsion
<b>H</b> Loquet	<b>S</b> Touche Soudure instantanée
<b>I</b> Panneau de commande	<b>T</b> Touche Mise sous vide et soudure
<b>J</b> Raccord d'accessoire	<b>U</b> Voyant d'alimentation
<b>K</b> Tuyau d'accessoire	

## Fabrication d'un sac à partir d'un rouleau FoodSaver


Vous pouvez créer des sacs de la taille que vous désirez à l'aide d'un rouleau FoodSaver. En vous reportant à la fig. 2

1. Branchez votre appareil de mise sous vide sur une prise murale. Placez le loquet (**H**) en position ouverte () et soulevez le couvercle. Si vous ne l'avez pas encore fait, placez le rouleau FoodSaver dans le logement (**G**), puis soulevez la barre du coupoir du rouleau (**C**) et passez l'extrémité du rouleau sous la barre. Tirez sur l'extrémité du rouleau jusqu'à ce qu'environ 10 mm du rouleau recouvre la bande de soudure (**E**).
2. Fermez le couvercle et placez le loquet (**H**) en position fermée (). Appuyez sur la touche Soudure instantanée (**S**). Lorsque le voyant de soudure s'éteint, soulevez le couvercle. L'extrémité du rouleau est maintenant fermée.
3. Dévidez la longueur requise pour l'article à emballer. Ajoutez les 75 mm nécessaires à la ligne de soudure, puis coupez le rouleau en faisant coulisser le coupoir du rouleau (**B**).

Vous pouvez alors commencer à utiliser l'appareil d'emballage sous vide (voir *Utilisation de l'appareil d'emballage sous vide*).

## Utilisation de l'appareil d'emballage sous vide

En vous reportant à la fig. 3 :

1. Placez l'article à emballer dans le sac. Vous pouvez utiliser un sac FoodSaver prêt à l'emploi ou créer votre propre sac à l'aide d'un rouleau FoodSaver.
2. Placez le côté ouvert du sac dans la fente du ramasse-gouttes (**F**).
3. Fermez le couvercle et placez le loquet (**H**) en position fermée ()

4. Le cas échéant, appuyez sur la touche Vitesse (**L**) pour sélectionner le réglage Rapide, Normale ou Lente. Sélectionnez Lente pour les aliments fragiles, Normale pour les sacs, les bocaux et tous les accessoires de taille moyenne, Rapide pour les sacs et les bocaux de taille plus élevée.
5. Si vous emballez des aliments à forte teneur en liquide ou très juteux, appuyez une fois sur la touche Type d'aliment (**O**) (le voyant Aliments à forte teneur en humidité (**Q**) s'allume alors). Si vous emballez des aliments secs, assurez-vous que le voyant Aliments secs (**P**) reste allumé (il est activé par défaut).
6. Appuyez sur la touche Mise sous vide et soudure T. L'appareil FoodSaver commence à extraire l'air du sac. Lorsque le voyant de mise sous vide s'éteint, la soudure du sac démarre (auquel cas le voyant de soudure s'allume).
7. Le processus est terminé lorsque le voyant de soudure s'éteint.

### Soudure d'un sac sans extraction d'air

Pour souder un sac sans en extraire l'air, appuyez sur la touche Soudure instantanée (**S**) (le processus est terminé lorsque le voyant de soudure s'éteint). Vous pouvez fermer hermétiquement les types de sac qui servent à emballer les snacks comme les croustilles, les croustilles au maïs, etc.

### Utilisation de la touche Emballage sous vide par impulsion

Certains aliments (pâtisseries, pain, biscuits, etc.) risquent d'être écrasés lors de la mise sous vide. Pour éviter que cela ne se produise, utilisez la touche Emballage sous vide par impulsion comme suit :

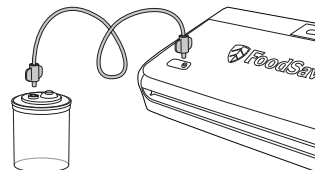
1. Suivez les étapes 1, 2, 3, 4 et 5 du mode d'emploi de votre appareil de mise sous vide.
2. Appuyez sur la touche Emballage sous vide par impulsion (**R**) et maintenez-la enfoncée. La pompe à vide fonctionne tant que vous appuyez sur la touche. Relâchez la touche avant que les aliments ne soient écrasés. L'extraction d'air cesse alors immédiatement.
3. Appuyez sur la touche Soudure instantanée (**S**) dès que la mise sous vide est terminée. Le voyant de soudure s'allume alors. Le processus est terminé lorsque le voyant de soudure s'éteint.

**REMARQUE :** si la pompe à vide s'arrête lorsque vous appuyez sur la touche Emballage sous vide par impulsion, la mise sous vide est terminée et l'air a été totalement extrait.

### Utilisation des accessoires FoodSaver

1. Branchez l'une des extrémités du tuyau d'accessoire (**K**) sur le raccord (**J**) prévu à cet effet de l'appareil FoodSaver. Insérez l'autre extrémité du tuyau sur le raccord de l'accessoire et vérifiez qu'il est fermement connecté. Suivez toute instruction spécifique fournie avec l'accessoire FoodSaver.
2. Fermez le couvercle et placez le loquet (**H**) en position fermée ()
3. Appuyez sur la touche Bocal/Accessoire (**N**) Le processus est terminé lorsque le voyant de progression s'éteint.

**REMARQUE :** le temps requis pour extraire tout l'air de l'accessoire varie selon la taille de ce dernier.



# Guide de rangement et conseils

## Emballage sous vide et salubrité

L'évacuation quasi totale de l'air des contenants hermétiques propre à l'emballage sous vide prolonge la fraîcheur des denrées ; ceci réduit l'oxydation qui altère valeur nutritive, saveur et qualité d'ensemble. Faire le vide freine la croissance des microorganismes, source de contamination sous certaines conditions.

Les basses températures sont essentielles au maintien de la salubrité des aliments. Vous pouvez énormément réduire la croissance des microorganismes à 4 °C ou moins. La congélation à -17 °C ne tue pas les microorganismes, mais elle arrête leur croissance. Congelez toujours les denrées périssables emballées sous vide pour les conserver à long terme et réfrigérez-les après leur décongélation.

Soulignons que l'emballage sous vide ne remplace PAS la mise en conserve et la stérilisation et qu'il ne peut inverser la détérioration des aliments. Il ne fait que ralentir l'altération de la qualité. Prédire combien de temps les aliments garderont leur saveur, texture et apparence optimales est difficile et dépend de l'âge et de l'état des aliments au moment de l'emballage.

**IMPORTANT:** Emballer sous vide ne remplace PAS la réfrigération ou la congélation. Les denrées périssables devant être réfrigérées doivent continuer à être réfrigérées après l'emballage sous vide. Pour éviter toute possibilité de maladie, ne pas réutiliser les sacs après avoir emballé de la viande crue, du poisson cru ou des aliments gras. Ne pas réutiliser les sacs qui sont passés au four à micro-ondes ou qui ont mijotés.

Aliments	Durée de conservation
Bœuf, porc, agneau, volaille	2 à 3 ans
Viande hachée	1 an
Poisson	2 ans
Fromages à pâte dure (cheddar, parmesan, édam, gouda)	4 à 8 mois
Asperges, brocoli, carotte, chou-fleur, chou, chou de Bruxelles, haricots verts, pois, maïs, etc.	2 à 3 ans
Laitue, épinards, etc.	2 semaines
Abricots, prunes, pêches, nectarines, etc.	1 à 3 ans
Baies molles (framboises, mûres, fraises, etc.)	1 semaine
Baies fermes (myrtilles, canneberges, etc.)	2 semaines
Pain, bagels, pâtisseries	1 à 3 ans
Noix et graines	2 ans
Café en grains	1 an
Café moulu	5 à 6 mois
Aliments en poudre (sucre, farine, etc.)	1 à 2 ans
Sauces, soupes, ragoûts, etc.	1 à 2 ans
Aliments secs (fèves, pâtes, riz, céréales, etc.)	1 à 2 ans
Croustilles, biscuits, craquelins, etc.	3 à 6 semaines

## Décongélation et réchauffage des aliments emballés sous vide.

LES ALIMENTS A L'INTERIEUR DU SACHET PEUVENT ETRE DECONGELES MAIS PAS RECHAUFFES AU FOUR A MICRO-ONDES.

**Décongélation-** Toujours décongeler les aliments au réfrigérateur ou bien au four à micro-ondes— ne pas décongeler des aliments périssables à température ambiante. Assurez-vous de couper le coin du sac avant de le mettre au four à micro-ondes. Il est recommandé de mettre le sac sur un plat allant au four à micro-ondes pour éviter que le liquide ne se déverse dans le four.

**Faire réchauffer** – Pour faire réchauffer des aliments au four à micro-ondes, les retirer du sac et les mettre dans un plat allant au four à micro-ondes.

Vous pouvez aussi faire réchauffer les aliments des Sacs FoodSaver en les plongeant dans l'eau à une température d'ébullition en dessous de 75°C (170°F).

Lieu de rangement	Remarques
Congélateur	Précongelez les aliments à haute teneur en humidité avant de faire le vide. Vous pouvez aussi placer un essuie-tout plié entre les aliments et le haut du sac pour absorber l'excès de liquide. Souvenez-vous de laisser 75 mm d'espace au-dessus de l'essuie-tout pour la ligne de soudure. <b>Remarque</b> : le bœuf peut sembler d'une couleur plus foncée après l'emballage sous vide, par suite de l'absence d'oxygène. Ce n'est pas un signe d'avarie.
Congélateur	
Congélateur	
Réfrigérateur	Pour garder le fromage frais, emballez-le sous vide en fin d'emploi. Le sac devra être long. Prévoyez un supplément de 25 mm pour chaque nouvelle soudure. N'emballez JAMAIS les fromages à pâte molle.
Toujours au congélateur	Avant l'emballage, blanchissez les légumes jusqu'à ce qu'ils soient cuits, mais encore croquants. Congelez avant d'emballer. Séparez les légumes pendant la congélation pour éviter qu'ils ne collent ensemble lors de l'emballage. N'emballez JAMAIS sous vide les fromages à pâte molle.
Réfrigérateur	Lavez et séchez. Pour obtenir de meilleurs résultats, emballez dans un contenant FoodSaver.
Congélateur	Précongelez les baies et les fruits mous avant de les emballer. Séparez les fruits pendant la congélation pour éviter qu'ils ne collent ensemble lors de l'emballage.
Réfrigérateur	
Réfrigérateur	
Congélateur	Nous recommandons d'utiliser un contenant FoodSaver pour éviter de les écraser. Vous pouvez aussi les précongeler, jusqu'à ce qu'ils soient durs.
Garde-manger	Afin que la pompe n'aspire pas de particules, placez un filtre à café ou un essuie-tout au haut du sac ou du contenant avant de faire le vide. Vous pouvez aussi mettre l'aliment dans son emballage d'origine, dans un sac FoodSaver.
Garde-manger	
Garde-manger	
Garde-manger	
Congélateur	Précongelez dans un récipient convenable jusqu'à ce que les aliments soient durs. Retirez le liquide congelé et mettez sous vide dans un sac FoodSaver.
Garde-manger	
Garde-manger	Pour obtenir de meilleurs résultats, utilisez un contenant FoodSaver pour les articles qui peuvent être écrasés comme les craquelins.

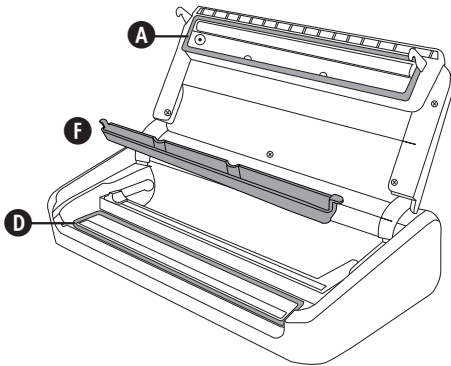
## Entretien et nettoyage

**Ne plongez jamais l'unité ou son cordon d'alimentation et la prise dans de l'eau ou tout autre liquide. Débranchez toujours l'unité avant le nettoyage.**

Essayez le corps de l'appareil avec un chiffon doux sec.

Retirez et videz le ramasse-gouttes (**F**) après chaque utilisation. Lavez-le à l'eau savonneuse chaude ou placez-le dans le panier supérieur du lave-vaisselle. Asséchez-le bien avant de le remettre en place.

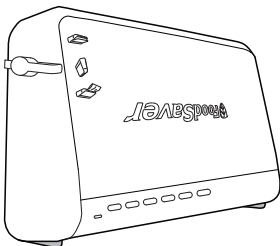
Vérifiez qu'il n'y pas de résidus alimentaires autour du joint d'étanchéité supérieur (**A**), du joint d'étanchéité inférieur (**D**) et du ramasse-gouttes. Essuyez les joints avec un chiffon savonneux chaud si nécessaire. Il est possible d'enlever les joints pour les nettoyer. Lavez-les à l'eau chaude savonneuse. Séchez-les bien et remettez-les soigneusement en place.



Pour que votre appareil FoodSaver continue à fonctionner correctement, nous vous recommandons de remplacer chaque année les joints d'étanchéité. Pour commander des joints de rechange, rendez-vous sur [www.foodsavereurope.com](http://www.foodsavereurope.com).

## Rangement

1. Fermez le couvercle et placez le loquet (**H**) en position de rangement ( $\phi$ ). C'est assez pour retenir le couvercle, mais cela évite de comprimer les joints (ce qui pourrait entraîner un mauvais fonctionnement de l'unité).
2. Soulevez l'avant de l'appareil jusqu'à ce qu'il soit en position verticale sur les pieds de rangement.



## Garantie

Veillez conserver votre ticket de caisse, il vous sera demandé lors de toute réclamation sous garantie.

Cet appareil est garanti 2 ans à partir de la date d'achat, comme indiqué dans le présent document.

Dans le cas peu probable d'une panne résultant d'un défaut de conception ou de fabrication au cours de la période de garantie, veuillez rapporter l'appareil au magasin où vous l'avez acheté avec votre ticket de caisse et une copie de cette garantie.

Vos droits statutaires ne sont aucunement affectés par cette garantie. Seul Jarden Consumer Solutions (Europe) Limited (« JCS (Europe) ») peut modifier ces dispositions.

JCS (Europe) s'engage à réparer ou remplacer gratuitement, pendant la période de garantie, toute pièce de l'appareil qui se révèle défectueuse sous réserve que :

- vous avertissiez rapidement le magasin ou JCS (Europe) du problème ; et
- l'appareil n'ait pas été altéré de quelque manière que ce soit ou endommagé, utilisé incorrectement ou abusivement, ou bien réparé ou altéré par une personne autre qu'une personne agréée par JCS (Europe) Products Europe.

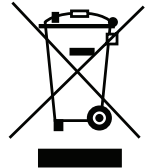
Cette garantie ne couvre pas les défauts liés à une utilisation incorrecte, un dommage, une utilisation abusive, l'emploi d'une tension incorrecte, les catastrophes naturelles, les événements hors du contrôle de JCS (Europe), une réparation ou une altération par une personne autre qu'une personne agréée par JCS (Europe) ou le non-respect des instructions d'utilisation. De plus, cette garantie ne couvre pas non plus l'usure normale, y compris, mais sans limitation, les petites décolorations et éraflures.

Cette garantie s'applique uniquement à l'acheteur d'origine et elle n'étend aucun droit à toute personne acquérant l'appareil pour un usage commercial ou communal.

Si votre appareil est accompagné d'une garantie locale ou d'une carte de garantie, veuillez en consulter les dispositions et conditions en vigueur, ou vous adresser à votre revendeur local pour en savoir plus.

Les déchets d'équipement électrique ne doivent pas être mélangés aux ordures ménagères. Veuillez recycler si vous en avez la possibilité. Envoyez-nous un email à [enquiriesEurope@jardencs.com](mailto:enquiriesEurope@jardencs.com) pour plus d'informations sur le recyclage et la directive WEEE.

Jarden Consumer Solutions (Europe) Limited  
5400 Lakeside  
Cheadle Royal Business Park  
Cheadle  
SK8 3GQ  
United Kingdom



# Dépannage

Problème	Solution
Le voyant Soudure instantanée clignote lorsque vous tentez de souder un sac.	Si l'appareil est soumis à une utilisation intensive, ce phénomène se produit pour éviter les problèmes de surchauffe. Dans ce cas de figure, attendez 20 minutes que l'appareil refroidisse. Lorsque vous utilisez l'appareil, attendez toujours au moins 20 secondes avant d'emballer sous vide un autre aliment.
La pompe fonctionne pendant plus de 2 minutes sans que l'air ne soit évacué.	Assurez-vous que l'extrémité ouverte du sac est insérée dans le ramasse-gouttes dont est équipé le joint d'étanchéité inférieur. Assurez-vous que les deux joints sont posés correctement et ne sont pas endommagés. Assurez-vous qu'au moins l'une des extrémités du sac est fermée hermétiquement. Ouvrez l'unité et assurez-vous qu'il n'y a pas d'objets étrangers, de poussières ou de débris sur les joints du haut ou du bas. Assurez-vous qu'il y a de l'espace en haut du sac (75 mm) de façon à ce qu'il repose dans le ramasse-gouttes lorsque le couvercle est fermé et verrouillé. Assurez-vous que le tuyau d'accessoire n'est pas raccordé. Vérifiez que le couvercle est fermé correctement et que le loquet est en position fermée.
Le sac n'est pas fermé de façon hermétique.	De l'humidité ou de la graisse recouvre la ligne de soudure. Essuyez tout excédent d'humidité à l'aide d'une feuille de papier absorbant propre et sèche. Le sac contient trop de liquides. Congelez le contenu du sac avant de le mettre sous vide. La ligne de soudure contient un pli. Étirez délicatement le sac pour qu'il soit bien à plat lorsque vous l'insérez dans le ramasse-gouttes et continuez à le tenir jusqu'au démarrage de la pompe à vide. Si vous avez déjà exécuté cette opération et que la soudure du sac n'est pas hermétique, créez une seconde soudure au-dessus de la première soudure.
Rien ne se produit lorsque le couvercle est fermé et que vous appuyez sur la touche Mise sous vide et soudure ou Soudure instantanée.	Vérifiez que le couvercle est fermé correctement et que le loquet est en position fermée.
Le voyant d'alimentation est éteint alors que le couvercle et le loquet sont tous les deux fermés.	Si vous n'utilisez pas l'appareil pendant 12 minutes, le mode Veille est activé et tous les voyants s'éteignent. Appuyez sur la touche de fonction appropriée pour activer à nouveau le mode requis (Mise sous vide et soudure, par exemple).



# Wichtige Sicherheitshinweise

---

Dieses Gerät kann von Kindern ab 8 Jahren und Personen mit eingeschränkten körperlichen, sensorischen oder geistigen Fähigkeiten oder mangelnder Erfahrung und Wissen verwendet werden, wenn sie entsprechend in die sichere Anwendung eingewiesen wurden und die damit verbundenen Gefahren verstehen. Kinder dürfen das Gerät nicht als Spielzeug verwenden. Reinigung und Wartung dürfen von Kindern nur unter Beaufsichtigung durchgeführt werden.

Beschädigte Stromkabel müssen durch den Hersteller, den Kundendienst oder andere qualifizierte Personen ersetzt werden, um Gefahren auszuschließen.

- Verwenden Sie das Gerät nur auf einer stabilen, sicheren, trockenen und ebenen Unterlage.
- **VORSICHT: DIESER VERSCHLUSS IST NICHT FÜR KOMMERZIELLE ZWECKE.** Setzen Sie das Gerät nie für Zwecke ein, für die es nicht bestimmt ist. Das Gerät wurde für die Verwendung in Privathaushalten entwickelt. Verwenden Sie das Gerät nicht im Freien.
- Tauchen Sie Teile des Geräts oder Stromkabels nicht ins Wasser oder andere Flüssigkeiten.
- Verwenden Sie das Gerät nicht, wenn es heruntergefallen ist oder Beschädigungen sichtbar sind.
- Stellen Sie vor dem Reinigen sicher, dass das Gerät ausgestellt ist und trennen Sie es von der Stromzufuhr.
- Ziehen Sie den Stecker aus der Steckdose, um das Gerät vom Netz zu trennen. Ziehen Sie den Stecker dabei nicht am Stromkabel.
- Verbinden Sie das Gerät nicht über ein Verlängerungskabel mit dem Netz.
- Verwenden Sie nur vom Hersteller empfohlenes Zubehör oder Zusatzgeräte.
- Beim Aufwärmen von Nahrungsmitteln in FoodSaver Beuteln bitte darauf achten, dass die Beutel nur in einer niedrigen Wassertemperatur unter 75 °C ziehen.
- **LEBENSMITTEL KÖNNEN IM BEUTEL AUFGETAUT ABER NICHT IN EINER MIKROWELLE AUFGEWÄRMT WERDEN.** Wenn Sie Lebensmittel in FoodSaver-Beuteln in der Mikrowelle auftauen, müssen Sie darauf achten, die maximale Leistung von 180 Watt (Auftauen), die Höchstzeit von 2 Minuten und die Höchsttemperatur von 70 °C nicht zu überschreiten.

**BITTE BEWAHREN SIE DIESE ANLEITUNG AUF**

## Das FoodSaver-System

---

### Warum Vakuumverpackung?

Wenn Lebensmittel der Luft ausgesetzt werden, gehen Nährstoffe und Aromen verloren, es kann zu Gefrierbrand kommen und Bakterien, Schimmel und Hefebakterien können sich ungestört vermehren. Mit dem FoodSaver-Vakuumverpackungssystem können

Sie Ihre Lebensmittel luftdicht verschließen und somit Aroma und Qualität schützen. Zur Vergrößerung Ihrer Auswahlmöglichkeiten können Sie nun mit einer kompletten Auswahl FoodSaver-Beutel und -Vorratsbehältern die Vorzüge einer wissenschaftlich getesteten Aufbewahrungsmethode genießen, die Ihre Lebensmittel bis zu fünf mal länger frisch hält.

### Das FoodSaver-System spart Zeit und Geld

- **Sparen Sie Ihr Geld!** Mit dem FoodSaver-System können Sie Lebensmittel in großen Mengen oder im Sonderangebot kaufen und anschließend portionsweise einfrieren ohne Lebensmittel zu verschwenden.
- **Sparen Sie Zeit!** Kochen Sie für die kommende Woche vor, bereiten Sie ganze Mahlzeiten zu und halten Sie sie dann in FoodSaver-Beuteln frisch.
- **Marinieren in wenigen Minuten.** Vakuumverpacken öffnet die Poren der Lebensmittel. Somit können Sie diesen großartigen Geschmack mariniertes Lebensmittel in nur 20 Minuten erhalten und müssen nicht eine Nacht lang warten.
- **Unterhaltung leicht gemacht.** Bereiten Sie Ihre berühmten Gerichte und Festtagsleckereien schon vor den Feiertagen zu. So können Sie die Zeit mit Ihren Gästen genießen und müssen den Tag nicht in der Küche verbringen.
- **Genießen Sie saisonale Gerichte und Spezialitäten.** Halten Sie leicht verderbliche oder selten verwendete Lebensmittel länger frisch.
- **Behalten Sie bei einer Diät die Größe Ihrer Portionen unter Kontrolle.** Verpacken Sie bewusst portionierte Mahlzeiten luftdicht und schreiben Kalorienanzahl und/oder den Fettgehalt auf den Beutel.
- **Schützen Sie Non-Food-Produkte.** Halten Sie Ihre Camping- und Boots-ausrüstung für Ihre Ausflüge trocken und organisiert. Schützen Sie Ihr poliertes Silber vorm Anlaufen, indem Sie es seltener der Luft aussetzen.

## FoodSaver-Zubehör

---

Holen Sie mit den benutzerfreundlichen FoodSaver Beuteln, Kanistern und dem Zubehör das Meiste aus Ihrem FoodSaver Gerät heraus.

### FoodSaver Beutel und Rollen

Die FoodSaver Beutel und Rollen verfügen über ein Design mit speziellen Kanälen zur effizienten und kompletten Entfernung von Luft. Die mehrlagige Konstruktion bietet einen besonderen Schutz vor Sauerstoff und Feuchtigkeit und verhindert Gefrierbrand. FoodSaver Beutel und Rollen gibt es in verschiedenen Größen.

### FoodSaver Vakuumverpackungskanister

FoodSaver Kanister sind benutzerfreundlich und ideal zum Vakuumverpacken empfindlicher Produkte, wie z. B. Muffins oder andere Backwaren, Flüssigkeiten und Trockenerzeugnisse.

### FoodSaver Flaschenverschluss

Verwenden Sie die FoodSaver Flaschenverschlüsse zum Verpacken von Wein, kohlesäurefreien Flüssigkeiten und Ölen. Dies macht Flüssigkeiten länger haltbar und bewahrt den Geschmack. Flaschenverschlüsse nicht für Plastikflaschen verwenden.

### FoodSaver Quick Marinator

Mit Hilfe des Quick Marinators dauert das Marinieren nicht mehr Stunden sondern lediglich Minuten, denn dank der Vakuumierung zieht die Würze tief in die Lebensmittel ein.

## Bestellung



Um Beutel, Rollen und Zubehör von FoodSaver zu bestellen, gehen Sie zu [www.foodsavereurope.com](http://www.foodsavereurope.com) und wählen Sie Ihre Region.

## Bestandteile (siehe Abbildung 1)

- |                                   |   |
|-----------------------------------|---|
| <b>A</b> Obere Dichtung           | <b>L</b> Geschwindigkeitstaste                            |
| <b>B</b> Rollenschneider          | <b>M</b> Geschwindigkeitsanzeige (Langsam/Normal/Schnell) |
| <b>C</b> Rollenschneiderbügel     | <b>N</b> Behälter-/Zubehörtaste                           |
| <b>D</b> Untere Dichtung          | <b>O</b> Taste „Lebensmittelart“                          |
| <b>E</b> Siegelstreifen           | <b>P</b> Taste „Trockene Lebensmittel“                    |
| <b>F</b> Abnehmbare Auffangschale | <b>Q</b> Taste „Feuchte Lebensmittel“                     |
| <b>G</b> Rollenaufbewahrung       | <b>R</b> Pulsvakuumiertaste                               |
| <b>H</b> Verriegelung             | <b>S</b> Sofortversiegelungstaste                         |
| <b>I</b> Bedienfeld               | <b>T</b> Vakuumier- und Versiegelungstaste                |
| <b>J</b> Zubehöranschluss         | <b>U</b> Betriebsleuchte                                  |
| <b>K</b> Zubehörschlauch          |   |

## Beutel aus FoodSaver-Rollen herstellen


Mit FoodSaver-Rollen können Sie eigene Beutel nach Maß fertigen. Siehe Abb. 2:

1. Schließen Sie den Vakuumierer an die Stromversorgung an. Stellen Sie den Riegel (**H**) auf die Position „Geöffnet“ () und öffnen Sie den Deckel. Wenn dies nicht bereits geschehen ist, legen Sie die FoodSaver-Rolle in die Rollenaufbewahrung (**G**) und heben Sie den Rollenschneiderbügel (**C**) an, um das Ende der Rolle unter dem Bügel hindurch zu führen. Ziehen Sie das Ende der Rolle so weit heraus, dass etwa 10 mm über den Siegelstreifen (**E**) hinausragen.
2. Schließen Sie den Deckel und stellen Sie den Riegel (**H**) auf die Position „Geschlossen“ (). Drücken Sie die Sofortversiegelungstaste (**S**) an, um das Ende der Rolle unter dem Bügel hindurch zu führen. Ziehen Sie das Ende der Rolle so weit heraus, dass etwa 10 mm über den Siegelstreifen (**E**) hinausragen.
3. Ziehen Sie das Ende der Rolle entsprechend der Länge, die Sie für die zu versiegelnden Lebensmittel benötigen, hinaus. Rechnen Sie weitere 75 mm hinzu, um ausreichend Platz für die Versiegelung zu lassen, und schieben Sie den Rollenschneider (**B**) über die Rolle.

Jetzt kann der Vakuumierer verwendet werden (siehe *Verwendung des Vakuumierers*).

## Verwendung des Vakuumierers

Siehe Abb. 3:

1. Legen Sie die zu versiegelnden Lebensmittel in den Beutel. Hierfür können Sie fertige FoodSaver-Beutel verwenden oder mithilfe einer FoodSaver-Rolle eigene Beutel herstellen.
2. Führen Sie das offene Ende des Beutels in den Schlitz der Auffangschale (**F**).
3. Schließen Sie den Deckel und stellen Sie den Riegel (**H**) auf die Position „Geschlossen“ () .
4. Drücken Sie ggf. die Geschwindigkeitstaste (**L**), um eine der Geschwindigkeiten (Schnell, Normal oder Langsam) zu wählen. Wählen Sie für empfindliche Lebensmittel die Geschwindigkeit „Langsam“, bei Beuteln und Behältern durchschnittlicher Größe sowie

Zubehör die Geschwindigkeit „Normal“ und bei größeren Beuteln und Behältern die Geschwindigkeit „Schnell“.

5. Wenn Sie Lebensmittel versiegeln, die feucht oder sehr saftig sind, drücken Sie die Taste „Lebensmittelart“ (**O**) einmal (die Leuchte „Feuchte Lebensmittel“ (**Q**) beginnt zu leuchten). Bei trockenen Lebensmitteln vergewissern Sie sich, dass die Leuchte „Trockene Lebensmittel“ (**P**) leuchtet (Standardeinstellung).
6. Betätigen Sie die Vakuumier- und Versiegelungstaste (**T**). Das FoodSaver-Gerät beginnt, die Luft aus dem Beutel zu saugen. Sobald die Vakuumierfortschrittsleuchte erlischt, wird der Beutel versiegelt (die Versiegelungsfortschrittsleuchte beginnt zu leuchten).
7. Der Vorgang ist abgeschlossen, wenn die Versiegelungsfortschrittsleuchte erlischt.

### Versiegeln von Beuteln ohne Vakuumierung

Zur Versiegelung eines Beutels ohne die Luft aus diesem zu entfernen, drücken Sie die Sofortversiegelungstaste (**S**) (der Vorgang ist abgeschlossen, wenn die Versiegelungsfortschrittsleuchte erlischt). Sie können Beutel versiegeln, in denen Sie Snacks wie Kartoffelchips, Tortilla Chips usw. aufbewahren.


### Verwendung der Pulsvakuumiertaste

Einige Lebensmittel wie Gebäck, Brot, Kekse usw. können beim Vakuumieren beschädigt werden. Um dies zu vermeiden, setzen Sie die Pulsvakuumiertaste (**R**), wie folgt ein:

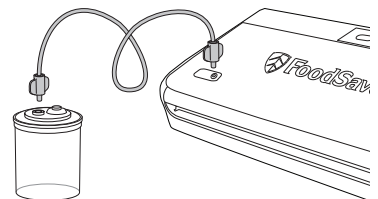
1. Folgen Sie den Schritten 1, 2, 3, 4 und 5 unter „Verwendung des Vakuumierers“.
2. Halten Sie die Pulsvakuumiertaste (**R**) so lange wie benötigt gedrückt. Die Vakuumierpumpe läuft, bis die Taste wieder losgelassen wird. Lassen Sie die Taste los, bevor die Lebensmittel zerdrückt werden. Der Vakuumiervorgang wird sofort gestoppt.
3. Drücken Sie die Sofortversiegelungstaste (**S**) unmittelbar nach dem Vakuumieren. Die Versiegelungsfortschrittsleuchte leuchtet auf. Der Vorgang ist abgeschlossen, wenn die Versiegelungsfortschrittsleuchte erlischt.

**HINWEIS:** Stoppt die Vakuumierpumpe, während Sie die Pulsvakuumiertaste drücken, wurde das maximale Vakuum bereits erreicht und es kann keine weitere Luft entzogen werden.

### Verwendung von FoodSaver-Zubehör

1. Verbinden Sie ein Ende des Zubehörschlauchs (**K**) mit dem Zubehöranschluss (**J**) am FoodSaver-Gerät. Verbinden Sie das andere Ende des Schlauchs mit dem Anschluss am Behälter und vergewissern Sie sich, dass der Schlauch fest sitzt. Folgen Sie den Anleitungen zur Verwendung des FoodSaver-Zubehörs.
2. Schließen Sie den Deckel und stellen Sie den Riegel (**H**) auf die Position „Geschlossen“ () .
3. Drücken Sie die Behälter-/Zubehörtaste N. Der Vorgang ist abgeschlossen, wenn die Fortschrittsleuchte erlischt.

**HINWEIS:** Wie viel Zeit benötigt wird, um die Luft vollständig aus dem Behälter zu entfernen, hängt von dessen Größe ab.



# Tipps und Hinweise zur Lagerung

## Vakuumverpackung und Lebensmittelschutz

Die Vakuumverpackung verlängert die Haltbarkeit von Lebensmitteln durch nahezu vollständiges Entfernen der Luft aus einer versiegelten Verpackung - und vermindert dadurch Oxidationsvorgänge, die sich auf Nährwert, Geschmack und die Gesamtqualität niederschlagen. Luftdichtes Verpacken verhindert die Bildung von Mikroorganismen, was unter gewissen Umständen Probleme verursachen kann.

Beim Konservieren von Lebensmitteln ist das Beibehalten niedriger Temperaturen sehr wichtig. Das Wachstum von Mikroorganismen wird bei Temperaturen von 4 °C und darunter bedeutend reduziert. Das Einfrieren bei -17 °C tötet Mikroorganismen nicht ab, hemmt aber deren Wachstum.

Zur Langzeitlagerung frieren Sie grundsätzlich sämtliche vakuumverpackten Lebensmittel ein, die leicht verderben können, und nach dem Auftauen im Kühlschrank aufbewahren.

Hinweis: Vakuumverpacken ist KEIN Ersatz für Konservenfabrikation und kann den Prozess des Verderbens bei Lebensmitteln nicht rückgängig machen. Es kann die Veränderungen in der Produktqualität lediglich verlangsamen. Es ist schwer einzuschätzen, wie lange Lebensmittel Aroma, Aussehen und Konsistenz behalten werden, da dies von Alter und Zustand bei der Vakuumverpackung abhängt.

Lebensmittel	Haltbarkeit
Rindfleisch, Schweinefleisch, Lamm, Huhn	2 - 3 Jahre
Hackfleisch	1 Jahr
Fisch	2 Jahre
Hartkäse (Gouda, Parmesan, Edamer, Cheddar usw.)	4 - 8 Monate
Spargel, Brokkoli, Blumenkohl, Karotte, Kohl, Rosenkohl, grüne Bohnen, Erbsen, Mais usw.	2 - 3 Jahre
Salat, Spinat usw.	2 Wochen
Aprikosen, Pflaumen, Pfirsiche, Nektarinen usw.	1 - 3 Jahre
Weiche Beeren (Himbeeren, Brombeeren, Erdbeeren usw.)	1 Woche
Feste Beeren (Blaubeeren, Cranberries usw.)	2 Wochen
Brot, Bagel, Gebäckstücke	1 - 3 Jahre
Nüsse und Samen	2 Jahre
Kaffeebohnen	1 Jahr
Gemahlener Kaffee	5 bis 6 Monate
Gemahlene Lebensmittel (Zucker, Mehl usw.)	1 - 2 Jahre
Soßen, Suppen, Eintöpfe usw.	1 - 2 Jahre
Trockene Lebensmittel (Bohnen, Pasta, Reis, Körner usw.)	1 - 2 Jahre
Kartoffelchips, Kekse, Kräcker, usw.	3 - 6 Wochen

**WICHTIG:** Vakuumverpacken ersetzt das Tiefgefrieren oder Einfrieren NICHT. Jedes verderbliche Lebensmittel, das vor dem Vakuumverpacken eingefroren werden muss, muss auch nach dem Vakuumverpacken gekühlt oder eingefroren werden. Zur Vermeidung eventueller Erkrankungen die Beutel nach dem Aufbewahren von rohem Fleisch oder Fisch sowie fettigen Nahrungsmitteln nicht erneut verwenden. Beutel nicht erneut verwenden, wenn sie in der Mikrowelle waren oder geköchelt haben.

**Auftauen und Erhitzen vakuumverpackter Lebensmittel**  
 NAHRUNGSMITTEL KÖNNEN IM BEUTEL AUFGETAUT, ABER NICHT IN DER MIKROWELLE WIEDER ERHITZT WERDEN.

**Auftauen** – Nahrungsmittel stets entweder im Kühlschrank oder in der Mikrowelle auftauen. Verderbliche Nahrungsmittel niemals bei Zimmertemperatur auftauen. Bevor der Beutel in die Mikrowelle gelegt wird, zuerst eine Ecke abschneiden. Beutel auf einen für die Mikrowelle geeigneten Teller legen, um zu vermeiden, dass Flüssigkeit überschwappt. Sicherstellen, dass die Maximalleistung von 180 Watt, maximal zwei Minuten und Maximaltemperatur von 70 °C nicht überschritten werden.

**Aufwärmen** – Zum Aufwärmen von Nahrungsmitteln in der Mikrowelle nehmen Sie das Nahrungsmittel aus dem Beutel und legen es auf einen für die Mikrowelle geeigneten Teller.

Sie können Nahrungsmittel in FoodSaver Beuteln auch aufwärmen, indem Sie den Beutel im Wasser bei einer Temperatur unter 75 °C ziehen lassen.

Lagerort	Anmerkungen
Gefrierschrank	Frieren Sie feuchte Lebensmittel vor dem Vakuumieren vor. Sie können auch ein gefaltetes Haushaltstuch aus Papier zwischen die Lebensmittel und die Öffnung des Beutels legen, um überschüssige Flüssigkeit aufzusaugen. Denken Sie daran, nach dem Papiertuch 75 mm Platz bis zur Versiegelungsnähe zu lassen. <b>Hinweis:</b> Rindfleisch kann nach dem Vakuumieren dunkler erscheinen, da Sauerstoff entfernt wurde. Dies deutet jedoch nicht darauf hin, dass das Fleisch verdorben ist.
Gefrierschrank	
Gefrierschrank	
Kühlschrank	Vakuumieren Sie Käse nach jedem Verzehr, um ihn frisch zu halten. Verwenden Sie einen extra langen Beutel, damit für jede neue Versiegelung 25 mm zur Verfügung stehen. Vakuumieren Sie Weichkäse NICHT.
Immer im Gefrierschrank.	Blanchieren Sie Gemüse vor dem Verpacken bis es gekocht aber noch bissfest ist. Frieren Sie das Gemüse vor dem Verpacken ein. Trennen Sie dabei die Einzelstücke, damit diese beim Verpacken nicht aneinanderkleben. Vakuumieren Sie NIE frische Pilze.
Kühlschrank	Waschen und trocknen Sie das Gemüse. Beste Ergebnisse erzielen Sie mit einem FoodSaver -Behälter
Gefrierschrank	Frieren Sie weiches Obst und Beeren vor dem Verpacken vor. Trennen Sie dabei die Einzelstücke, damit diese beim Verpacken nicht aneinanderkleben.
Kühlschrank	
Kühlschrank	
Gefrierschrank	Wir empfehlen die Verwendung eines FoodSaver -Kanisters, um zu verhindern, dass die Lebensmittel zerdrückt werden. Alternativ können Sie diese vorfrieren, bis sie hart sind.
Speisekammer	Um zu verhindern, dass Lebensmittelstückchen in die Vakuumpumpe gesogen werden, legen Sie einen Kaffeefilter oder ein Papiertuch oben in den Beutel oder in den Kanister, bevor Sie den Vakuumiervorgang starten. Sie können die Lebensmittel auch in ihrer Originalverpackung in einen FoodSaver -Beutel legen.
Speisekammer	
Speisekammer	
Speisekammer	
Gefrierschrank	Frieren Sie diese Lebensmittel vor, bis sie hart sind. Entfernen Sie gefrorene Flüssigkeiten und vakuumieren Sie die Lebensmittel in einem FoodSaver -Beutel.
Speisekammer	Beste Ergebnisse erzielen Sie bei empfindlichen Lebensmitteln wie Kräckern mit einem FoodSaver -Behälter.
Speisekammer	

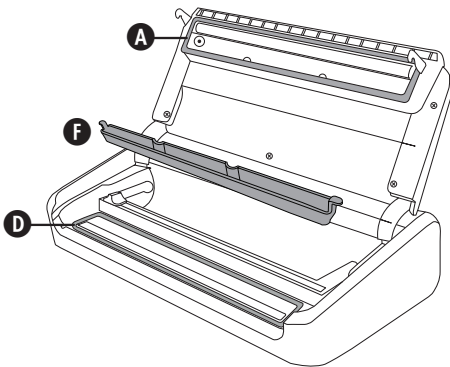
# Pflege und Reinigung

**Tauchen Sie das Gerät oder das Stromkabel und den Stecker nicht in Wasser oder andere Flüssigkeiten. Trennen Sie das Gerät vor dem Reinigen immer vom Netz.**

Wischen Sie das Gehäuse mit einem weichen, trockenen Tuch ab.

Entfernen und leeren Sie die Auffangschale (F) nach jedem Gebrauch. Spülen Sie die Auffangschale mit warmem Seifenwasser oder legen Sie sie in den oberen Korb der Geschirrspülmaschine. Trocknen Sie die Auffangschale vor dem Wiedereinsetzen gründlich.

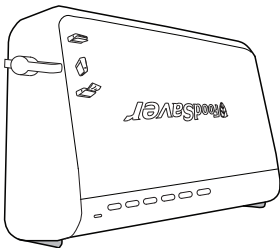
Prüfen Sie die obere und untere Dichtung (A und D) und den Bereich um die Auffangschale, um sicherzustellen, dass diese frei von Lebensmittelmitteln sind. Wischen Sie die Dichtungen ggf. mit einem mit warmem Seifenwasser angefeuchteten Tuch ab. Die Dichtungen können zur Reinigung abgenommen werden. Reinigen Sie diese mit warmem Seifenwasser. Trocknen Sie sie gründlich ab und setzen Sie sie sorgfältig wieder ein.



Um sicherzustellen, dass Ihr FoodSaver-Gerät ordnungsgemäß funktioniert, empfehlen wir, die Dichtungen jährlich auszutauschen. Ersatzteile können Sie auf [www.foodsavereurope.com](http://www.foodsavereurope.com) bestellen.

# Lagerung

1. Schließen Sie den Deckel und stellen Sie den Riegel (H) auf die Position „Lagerung“ (P). Der Deckel ist so gesichert, die Dichtungen werden jedoch nicht zusammengedrückt (dies könnte zur Fehlfunktion des Geräts führen).
2. Heben Sie das Gerät vorne an und stellen Sie es aufrecht auf die Lagerungsfüße.



# Garantie

Bewahren Sie bitte unbedingt den Kaufbeleg auf. Dieser für die Geltendmachung von Garantieansprüchen zwingend erforderlich.

Die in diesem Dokument beschriebene Gerätegarantie gilt für einen Zeitraum von 2 Jahren ab Kaufdatum.

Sollte das Gerät entgegen aller Erwartungen innerhalb dieses Zeitraums aufgrund eines Konzeptions- oder Herstellungsfehlers nicht mehr einwandfrei funktionieren, können Sie es zusammen mit dem Kaufbeleg und einer Kopie dieses Garantiebelegs am Kaufort abgeben.

Die aus dieser Garantie erwachsenden Ansprüche und Leistungen sind als Ergänzung zu Ihren gesetzlichen Ansprüchen anzusehen. Diese werden von dieser Garantie nicht beeinträchtigt. Diese Bedingungen können ausschließlich durch Jarden Consumer Solutions (Europe) Limited ("JCS (Europe)") geändert werden.

JCS (Europe) verpflichtet sich innerhalb der Garantiedauer zur kostenlosen Reparatur oder zum kostenlosen Austausch des Geräts bzw. von Geräteteilen, die nachweislich nicht ordnungsgemäß funktionieren. Es gelten jedoch folgende Voraussetzungen:

- Sie müssen den Händler oder JCS (Europe) unverzüglich über das Problem informieren.
- An dem Gerät wurden keinerlei Änderungen vorgenommen, es wurde nur bestimmungsgemäß eingesetzt, nicht beschädigt und nicht von Personen repariert, die von JCS (Europe) nicht autorisiert wurden.

Mängel, die auf unsachgemäße Nutzung, Beschädigung, nicht zugelassene elektrische Spannung, Naturgewalten, Ereignisse außerhalb der Kontrolle durch JCS (Europe), Reparaturen oder Änderungen durch Personen, die von JCS (Europe) nicht autorisiert wurden, oder Nichtbeachtung der Nutzungsanweisungen zurückzuführen sind, werden von dieser Garantie nicht abgedeckt. Außerdem sind durch normale Gebrauchsabnutzung entstandene Mängel, wie beispielsweise geringfügige Verfärbungen und Kratzer, von dieser Garantie ausgenommen. Die im Rahmen dieser Garantie eingeräumten Rechte gelten ausschließlich für den ursprünglichen Käufer und dürfen nicht auf die kommerzielle oder kommunale Nutzung ausgedehnt werden.

Falls Ihr Gerät mit einer länderspezifischen Garantie oder Gewährleistung geliefert wurde, sollten Sie sich nach deren Bedingungen und nicht nach dieser Garantie richten. Nötigenfalls kann Ihnen der örtliche Vertragshändler weitere Informationen geben.

Elektrische Altgeräte dürfen nicht über den Hausmüll entsorgt werden. Geben Sie, falls möglich, diese Geräte bei geeigneten Rücknahmestellen ab. Wenn Sie weitere Informationen zur Rücknahme und Entsorgung von Elektrogeräten erhalten möchten, senden Sie bitte eine E-Mail an die Adresse [enquiriesEurope@jardencs.com](mailto:enquiriesEurope@jardencs.com)

Jarden Consumer Solutions (Europe) Limited  
5400 Lakeside  
Cheadle Royal Business Park  
Cheadle  
SK8 3GQ  
United Kingdom



# Fehlerbehebung

Problem	Lösung
Die Sofortversiegelungsleuchte blinkt während des Versiegelungsvorgangs.	Damit soll ein Überhitzen des Geräts bei starker Belastung vermieden werden. Warten Sie in diesem Fall 20 Minuten, damit das Gerät abkühlen kann. Lassen Sie während des Gebrauchs zwischen einzelnen Vakuumiervorgängen jeweils 20 Sekunden verstreichen.
Die Pumpe läuft über 2 Minuten, ohne dass Luft angesogen wird.	<p>Stellen Sie sicher, dass sich das offene Ende des Beutels innerhalb der unteren Dichtung in der Auffangschale befindet.</p> <p>Prüfen Sie, ob beide Dichtungen unbeschädigt und richtig eingesetzt sind.</p> <p>Prüfen Sie, ob mindestens ein Ende des Beutels versiegelt ist.</p> <p>Öffnen Sie das Gerät, um zu überprüfen, dass sich keine Fremdkörper, Schmutz oder Lebensmittelmittelrückstände auf der oberen oder unteren Dichtung befinden.</p> <p>Stellen Sie sicher, dass Sie am oberen Ende des Beutels ausreichend Platz (75 mm) gelassen haben, damit dieser bei geschlossenem und verriegeltem Deckel bis in die Auffangschale reicht.</p> <p>Stellen Sie sicher, dass der Zubehörschlauch nicht angebracht ist.</p> <p>Prüfen Sie, ob der Deckel vollständig geschlossen ist und der Riegel sich in der Position „Geschlossen“ befindet.</p>
Der Beutel wird nicht richtig versiegelt.	<p>Der Versiegelungsbereich des Beutels ist feucht oder fettig. Wischen Sie die Feuchtigkeit mit einem sauberen, trockenen Papiertuch ab.</p> <p>Es befindet sich zu viel Flüssigkeit im Beutel. Frieren Sie den Inhalt des Beutels vor dem Vakuumieren ein.</p> <p>Der Versiegelungsstreifen ist fettig. Ziehen Sie den Beutel beim Einführen in die Auffangschale leicht flach und halten Sie ihn fest, bis die Vakuumpumpe mit dem Pumpen beginnt. Haben Sie dies bereits getan und der Beutel wird noch immer nicht versiegelt, erstellen Sie eine zweite Versiegelung über dem ersten Versiegelungsstreifen.</p>
Das Gerät reagiert nicht, wenn der Deckel geschlossen ist und die Sofortversiegelungstaste oder die Vakuumier- und Versiegelungstaste gedrückt wird.	Prüfen Sie, ob der Deckel vollständig geschlossen ist und der Riegel sich in der Position „Geschlossen“ befindet.
Die Betriebsleuchte erlischt bei geschlossenem Deckel und ordnungsgemäßer Verriegelung.	Wird das Gerät 12 Minuten lang nicht verwendet, wechselt es in den Standby-Modus und alle Anzeigeleuchten erlöschen. Drücken Sie eine angemessene Funktionstaste, um in den gewünschten Modus zurückzukehren (z. B. Vakuumieren und Versiegeln).

# Precauciones Importantes

---

Este aparato puede ser utilizado por niños a partir de 8 años de edad y por personas con disminución de capacidades físicas, sensoriales o mentales o sin experiencia ni conocimientos si reciben supervisión o instrucciones relativas al uso seguro del aparato y comprenden los riesgos que implica. Los niños no deben jugar con el aparato. Los niños no deben realizar la limpieza ni el mantenimiento sin supervisión.

Si el cable de alimentación está dañado, deberá sustituirlo el fabricante o el agente de servicio correspondiente, o bien una persona cualificada para este trabajo. De esta forma se evitarán riesgos.

- Utilice siempre el aparato sobre una superficie estable, segura, seca y horizontal.
- **PRECAUCIÓN: ESTA SELLADORA NO ES PARA USO COMERCIAL.** No utilice nunca el aparato para ningún fin distinto de aquel para el que ha sido diseñado. Este aparato es para uso doméstico exclusivamente. No utilice este aparato al aire libre.
- Nunca sumerja parte alguna del aparato, el cable de alimentación o el conector en agua ni en ningún otro líquido.
- No utilice el aparato si este se ha caído al suelo o si presenta signos visibles de daños.
- Asegúrese de que el aparato está apagado y desconectado de la toma eléctrica después de usarlo y antes de limpiarlo.
- Para desconectar, desenchufe el cable de alimentación de la toma eléctrica. No desconecte el cable tirando de él.
- No utilice un cable alargador con el aparato.
- Utilice solo accesorios o piezas recomendados por el fabricante.
- Cuando recaliente alimentos en bolsas FoodSaver, asegúrese de colocarlas en agua a fuego lento por debajo de 75 °C.
- **LOS ALIMENTOS CONTENIDOS EN BOLSAS PUEDEN DESCONGELARSE PERO NO CALENTARSE EN MICROONDAS.** Al descongelar en el microondas los alimentos contenidos en bolsas FoodSaver, asegúrese de no superar la potencia máxima de 180 vatios (ajuste de descongelación) durante 2 minutos como máximo a una temperatura máxima de 70°C (158°F).

## GUARDE ESTAS INSTRUCCIONES

# El sistema FoodSaver

---

## Motivos para empaquetar al vacío

La exposición al aire hace que los alimentos pierdan valores nutricionales y sabor, y también provoca quemaduras de congelación y permite el desarrollo de muchas bacterias, moho y fermentos. El sistema de empaquetado al vacío FoodSaver elimina el aire y mantiene el sabor y la calidad gracias al sellado. Con una completa línea de bolsas y

contenedores FoodSaver para ampliar sus opciones, ahora puede disfrutar de las ventajas de un método de almacenamiento de alimentos probado científicamente que mantiene los alimentos frescos hasta cinco veces más.

## El sistema FoodSaver permite ahorrar tiempo y dinero

- **Gaste menos dinero.** Con el sistema FoodSaver, puede comprar grandes cantidades o comprar cuando hay descuentos y empaquetar al vacío los alimentos en las porciones deseadas sin tener que tirar comida.
- **Ahorre más tiempo.** Cocine para toda la semana preparando comidas y guardándolas en las bolsas FoodSaver.
- **Macere en pocos minutos.** El empaquetado al vacío abre los poros de los alimentos, de modo que puede obtener la maceración deseada en sólo 20 minutos en lugar de tener que esperar al día siguiente.
- **Reciba invitados con menos esfuerzo.** Prepare por adelantado su especialidad y los platos típicos de las festividades y podrá pasar más tiempo con sus invitados.
- **Disfrute de los alimentos de temporada o especiales.** Mantenga frescos durante más tiempo los alimentos altamente perecederos o los que se consumen poco.
- **Controle las porciones de las dietas.** Empaquete al vacío las porciones adecuadas y escriba el número de calorías y/o gramos de grasa en la bolsa.
- **Proteja artículos no comestibles.** Los artículos de camping y navegación estarán secos y bien organizados cuando los necesite. Evite que la plata brillante pierda su brillo minimizando su exposición al aire.

# Accesorios FoodSaver

---

Aproveche al máximo el aparato FoodSaver con las bolsas, recipientes y accesorios de FoodSaver.

## Bolsas y rollos de FoodSaver

El diseño de las bolsas y rollos de FoodSaver incluye canales especiales que permiten una extracción eficaz y completa del aire. La construcción en varias capas crean una barrera especialmente eficaz para el oxígeno y la humedad, evitando quemaduras por congelación. Las bolsas y rollos de FoodSaver se proporcionan en diferentes tamaños.

## Botes de envasado al vacío de FoodSaver

Los botes de FoodSaver son fáciles de usar e ideales para envasar al vacío artículos delicados, como madalenas u otros alimentos horneados, líquidos y alimentos secos.

## Tapones para botellas de FoodSaver

Utilice los tapones para botellas de FoodSaver para conservar al vacío el vino, bebidas no carbonatadas y aceites. Esto extiende la vida del líquido y conserva el sabor. Evite usar el tapón para botellas con botellas de plástico.

## Marinador rápido FoodSaver

El marinador rápido infunde sabor a los alimentos en minutos en lugar de horas empleando la potencia del vacío para que los marinados penetren profundamente en los alimentos.

## Pedidos


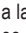
Para pedir bolsas, rollos y accesorios FoodSaver, visite [www.foodsavereurope.com](http://www.foodsavereurope.com) y seleccione su región.

## Piezas (Observe la figura 1)

<b>A</b> Junta superior	<b>L</b> Botón Velocidad
<b>B</b> Cortador del rollo	<b>M</b> Luces Velocidad (Rápido/Normal/Lento)
<b>C</b> Barra del cortador del rollo	<b>N</b> Botón Recipiente/accesorio
<b>D</b> Junta inferior	<b>O</b> Botón Tipo de alimento
<b>E</b> Banda de sellado	<b>P</b> Luz Alimentos secos
<b>F</b> Bandeja antigoteo extraíble	<b>Q</b> Luz Alimentos húmedos
<b>G</b> Almacenamiento de rollo	<b>R</b> Botón Vacío controlado
<b>H</b> Pestillo	<b>S</b> Botón Sellado instantáneo
<b>I</b> Panel de control	<b>T</b> Botón Vacío y sellado
<b>J</b> Puerto de accesorio	<b>U</b> Luz de alimentación
<b>K</b> Tubo de accesorio	

## Cómo fabricar una bolsa a partir de un rollo FoodSaver


Puede crear bolsas del tamaño que desee a partir de un rollo FoodSaver. Referencias a la Fig. 2:

1. Conecte la envasadora al vacío a una toma eléctrica. Desplace el pestillo **H** a la posición de apertura () y abra la tapa. Si aún no lo ha hecho, coloque el rollo FoodSaver en el área de almacenamiento **G**, luego levante la barra del cortador del rollo **C** y pase el extremo del rollo por debajo de la barra. Tire del extremo del rollo hasta que se solapen unos 10 mm del rollo con la banda de sellado **E**.
2. Cierre la tapa y desplace el pestillo **H** a la posición de cierre (). Pulse el botón Sellado instantáneo **S**. Cuando se apague la luz de sellado, abra la tapa. El extremo del rollo estará ahora sellado.
3. Tire del rollo hasta la longitud deseada para el artículo que se va a envasar. Deje un margen de 75 mm para el sellado de la bolsa y luego deslice el cortador del rollo **B** transversalmente para cortar el rollo.

Seguidamente, puede comenzar a utilizar la envasadora al vacío (consulte *Utilización de la envasadora al vacío*).

## Utilización de la envasadora al vacío

Referencias a la Fig. 3:

1. Coloque el artículo que desea envasar en la bolsa. Puede utilizar una bolsa FoodSaver lista para usar o crear su propia bolsa a partir de un rollo FoodSaver.
2. Coloque el extremo abierto de la bolsa en la ranura de la bandeja de goteo **F**.
3. Cierre la tapa y desplace el pestillo **H** a la posición de cierre (.
4. Si lo desea, pulse el botón Velocidad **L** para seleccionar el ajuste Rápido, Normal o Lento. Seleccione Lento para alimentos delicados; Normal para bolsas y recipientes de tamaño medio y para todos los accesorios; Rápido para bolsas y recipientes grandes.

5. Si está envasando alimentos húmedos o muy jugosos, pulse el botón Tipo de alimento **O** una vez (se encenderá la luz Alimentos húmedos **Q**). En el caso de alimentos secos, asegúrese de que la luz Alimentos secos **P** permanezca encendida (esta es la configuración por defecto).
6. Pulse el botón Vacío y sellado **T**. El dispositivo FoodSaver comenzará a extraer el aire de la bolsa. Cuando la luz de progreso del vacío se apague, la bolsa comenzará a sellarse (se encenderá la luz de progreso de sellado).
7. El proceso finalizará cuando se apague la luz de progreso de sellado.

### Sellado de una bolsa si extraer el aire

Para sellar una bolsa sin extraer el aire de ella, pulse el botón Sellado instantáneo **S** (el proceso habrá completado cuando se apague la luz de sellado). Puede sellar bolsas para envasar aperitivos como patatas fritas, tortillas mexicanas, etc.

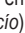
### Utilización del botón Vacío controlado

Algunos artículos, como pastas de repostería, pan, galletas, etc., pueden romperse al sellarlos al vacío. Para evitar que esto suceda, utilice el botón Vacío controlado **R** de la siguiente forma:

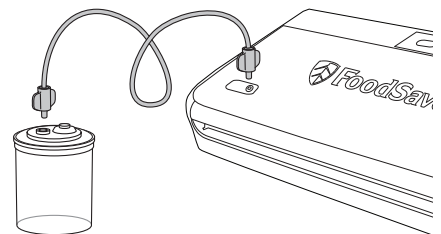
1. Siga los pasos 1, 2, 3, 4 y 5 del apartado Utilización de la envasadora al vacío.
2. Mantenga pulsado el botón Vacío controlado **R** según sea necesario. La bomba de vacío funcionará mientras esté pulsado el botón. Suelte el botón antes de que se aplasten los alimentos. Esto detendrá de inmediato la extracción de más aire.
3. Pulse el botón Sellado instantáneo **S** inmediatamente después de crearse el vacío. Se encenderá la luz de progreso de sellado. El proceso finalizará cuando se apague la luz de progreso de sellado.

**NOTA:** Si la bomba de vacío se detiene mientras pulsa el botón Vacío controlado, ello significa que se ha alcanzado el vacío máximo y que no se puede extraer más aire.

### Utilización de accesorios FoodSaver

1. Introduzca un extremo del tubo accesorio **K** en el conector de accesorio **J** del producto FoodSaver. Introduzca el extremo del tubo en el puerto del accesorio y asegúrese de que está bien conectado. Siga cualquier instrucción específica que se suministre con el accesorio FoodSaver.
2. Cierre la tapa y desplace el pestillo **H** a la posición de cierre (.
3. Pulse el botón Recipiente/accesorio **N**. El proceso finalizará cuando se apague la luz de progreso.

**NOTA:** El tiempo necesario para extraer todo el aire del accesorio dependerá del tamaño del accesorio.





# Guía, sugerencias y trucos de almacenamiento

## Empaquetado al vacío y seguridad de los alimentos

El empaquetado al vacío amplía la duración de los alimentos al extraer la mayor parte del aire del contenedor sellado, con lo que se reduce la oxidación, que afecta al valor nutricional, al sabor y a la calidad general. La extracción del aire también puede inhibir el crecimiento de microorganismos, que pueden causar problemas bajo determinadas condiciones.

Para conservar los alimentos con seguridad, es muy importante que los mantenga a temperaturas bajas. Puede reducir significativamente el desarrollo de microorganismos a temperaturas de 4°C o inferiores.

La congelación a -17°C no mata a los microorganismos, pero detiene su desarrollo. Para un almacenamiento a largo plazo, congele siempre los alimentos perecederos que se han empaquetado al vacío, y manténgalos refrigerados después de descongelarlos.

Es importante señalar que el empaquetado al vacío NO sustituye el enlatado y la esterilización y que invertir el deterioro de los alimentos. Sólo puede ralentizar los cambios de calidad. Es difícil predecir cuánto tiempo mantendrán los alimentos un sabor, una apariencia o una textura excelentes porque depende de la edad y la condición de los alimentos el día que se empaquetaron al vacío.

Alimentos	Duración en almacenamiento
Temera, cerco, cordero, aves	2-3 años
Carne picada	1 año
Pescado	2 años
Quesos duros (manchego, cheddar, parmesano, edam, gouda, etc.)	4-8 meses
Espárragos, brócoli, zanahorias, coliflor, col, coles de Bruselas, judías verdes, guisantes, maíz, etc.	2-3 años
Lechuga, espinacas, etc.	2 semanas
Albaricoques, ciruelas, melocotones, nectarinas, etc.	1-3 años
Bayas blandas (frambuesas, moras, fresas, etc.)	1 semana
Bayas duras (arándanos, endrinas, etc.)	2 semanas
Pan, rosas, pastas de repostería	1-3 años
Frutos secos y semillas	2 años
Granos de café	1 año
Café molido	5-6 meses
Alimentos en polvo (azúcar, harina, etc.)	1-2 años
Salsas, sopas, caldos, etc.	1-2 años
Alimentos secos (judías, pasta, arroz, granos, etc.)	1-2 años
Patatas fritas de bolsa, galletas, etc.	3-6 semanas

**IMPORTANTE:** El empaquetado al vacío NO sustituye la refrigeración ni la congelación. Todos los alimentos perecederos que requieran refrigeración se deben seguir refrigerando o congelando después de empaquetarlos al vacío. Para evitar enfermedades, no reutilice las bolsas en las que haya guardado carnes o pescados crudos o alimentos con grasa. No reutilice las bolsas que haya introducido en el microondas o que haya hervido.

### Descongelar y recalentar alimentos envasados al vacío

LOS ALIMENTOS DE DENTRO DE UNA BOLSA SE PUEDEN DESCONGELAR, PERO NO RECALENTAR EN UN HORNO MICROONDAS.

**Descongelación:** descongele los alimentos siempre en la nevera o con un microondas, no deje que los alimentos perecederos se descongelen a temperatura ambiente. Asegúrese de cortar una esquina de la bolsa antes de introducirla en el microondas. Es recomendable colocar la bolsa en un plato apto para el microondas para evitar que se derramen los líquidos. Asegúrese de no superar la potencia máxima de 180 vatios durante un máximo de 2 minutos y una temperatura máxima de 70 °C.

**Recalentamiento:** para recalentar alimentos en un horno microondas, sáquelos de la bolsa y colóquelos en un plato apto para microondas.

También puede recalentar alimentos en las bolsas FoodSaver colocándolas en agua a fuego lento, a una temperatura inferior a 75°C.

Dónde almacenarlos	Comentarios
Congelador	Precongele los alimentos húmedos antes de envasarlos al vacío. Como alternativa, coloque una toalla de papel plegada entre los alimentos y el extremo de la bolsa para absorber el líquido sobrante. No olvide dejar 75 mm de espacio después de la toalla para hacer sitio para el sellado. <b>Nota:</b> La ternera puede parecer más oscura tras envasarla al vacío debido a la extracción del oxígeno. Dicho oscurecimiento no debe considerarse como indicio de que la ternera ya no es comestible.
Congelador	
Congelador	
Frigorífico	Para mantener frescos estos quesos, enváselos al vacío después de cada uso. Haga que las bolsas sean de longitud extra para dejar 25 mm para cada nuevo sellado que sea necesario. NUNCA envase al vacío quesos blandos.
Almacenar siempre en el congelador	Cueza las verduras para que queden cocinadas pero aún crujientes antes de envasarlas. Congélelas antes de envasarlas. Sepárelas durante la congelación para evitar que las verduras se peguen al envasarlas. NUNCA envase al vacío champiñones crudos.
Frigorífico	Lávalas y séquelas. Para obtener un resultado óptimo, enváselas empleando un contenedor FoodSaver .
Congelador	Precongele las frutas blandas y las bayas antes de envasarlas. Sepárelas durante la congelación para evitar que las frutas se peguen al envasarlas.
Frigorífico	
Frigorífico	
Congelador	Recomendamos utilizar un contenedor FoodSaver para evitar que se rompan. Como alternativa, precongele hasta que queden sólidos.
Dispensa	Para evitar que penetren partículas de alimentos en la bomba de vacío, coloque un filtro de café o una toalla de papel en la parte superior de la bolsa o el contenedor antes de envasar al vacío. También puede colocar los alimentos en su bolsa original dentro de una bolsa FoodSaver.
Dispensa	
Dispensa	
Dispensa	
Congelador	Precongele en un contenedor adecuado hasta que quede sólido. Retire el líquido congelado y envase al vacío en una bolsa FoodSaver.
Dispensa	Para obtener un resultado óptimo, enváselas empleando un contenedor FoodSaver para artículos que puedan romperse, como las galletas.
Dispensa	

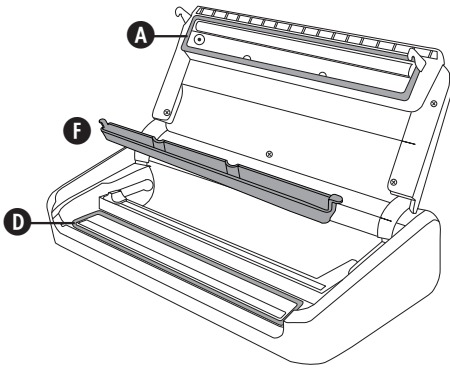
## Conservación y limpieza

**Nunca sumerja la unidad, el cable de alimentación o el conector en agua ni en ningún otro líquido. Desconecte siempre la unidad antes de limpiarla.**

Pase un paño suave y seco por la carcasa del aparato.

Retire y vacíe la bandeja antigoteo **(F)** después de cada uso. Lávela con agua caliente y jabón o colóquela en el compartimento superior del lavavajillas. Séquela a conciencia antes de volver a colocarla.

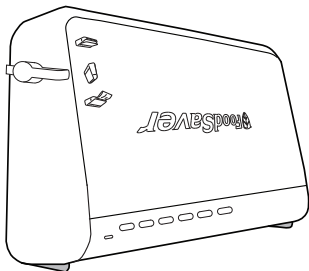
Compruebe las juntas superior **(A)** e inferior **(D)** y los alrededores de la bandeja de goteo para asegurarse de que no presentan restos de alimentos. Limpie las juntas con un paño humedecido en agua caliente y jabón si es preciso. Las juntas pueden retirarse para limpiarlas. Límpielas con agua caliente y jabón. Séquelas a conciencia y luego vuelva a colocarlas con cuidado.



Para que el producto FoodSaver siga funcionando correctamente, recomendamos cambiar las juntas cada año. Para pedir recambios, visite [www.foodsavereurope.com](http://www.foodsavereurope.com).

## Almacenamiento

1. Cierre la tapa y desplace el pestillo **(H)** a la posición de almacenamiento (H). Esto basta para asegurar la tapa, pero evita que se compriman las juntas (lo que puede provocar un funcionamiento incorrecto de la unidad).
2. Eleve la parte delantera del producto y apóyela sobre la pata del almacenamiento en posición vertical.



## Garantía

Guarde este recibo ya que lo necesitará para cualquier reclamación dentro de esta garantía.

Este producto tiene una garantía de 2 años desde la fecha de compra tal como se describe en este documento.

Durante este período de garantía, en el improbable caso de que el aparato ya no funcione debido a un fallo de diseño o fabricación, devuélvalo al lugar donde lo compró con su recibo de caja y una copia de esta garantía.

Los derechos y ventajas de esta garantía son adicionales a sus derechos estatutarios, que no se verán afectados por esta garantía. Sólo Jarden Consumer Solutions (Europe) Limited ("JCS (Europe)") tiene derecho a cambiar estos términos.

JCS (Europe) se compromete, durante el período de garantía, a reparar o cambiar el aparato, o cualquier parte del aparato que no funcione correctamente, de manera gratuita siempre que:

- Informe inmediatamente al establecimiento de compra o a JCS (Europe) del problema; y
- No se haya modificado el aparato de ninguna forma ni se haya sometido a daños, uso indebido, mal uso o reparación por cualquier otra persona no autorizada por JCS (Europe).

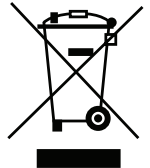
Los fallos que se produzcan por uso indebido, daños, mal uso, uso con un voltaje incorrecto, desastres naturales, acontecimientos que escapan al control de JCS (Europe), reparaciones o modificaciones realizadas por una persona no autorizada por JCS (Europe) o por no seguir las instrucciones de uso no están cubiertas por esta garantía. Además, el desgaste o deterioro debidos al uso normal, incluidos, sin limitación, los arañazos y las pequeñas decoloraciones no están cubiertos por esta garantía.

Los derechos de esta garantía sólo se aplicarán al comprador original y no se cubrirán el uso comercial o comunitario.

Si el aparato incluye una garantía específica de algún país, consulte los términos y condiciones de dicha garantía en sustitución de la presente garantía, o póngase en contacto con el comerciante autorizado de su localidad para obtener más información.

Los productos eléctricos desechados no se deben eliminar con la basura doméstica. Recícelos donde existan instalaciones para tal fin. Envíenos un mensaje de correo electrónico a [enquiriesEurope@jardencs.com](mailto:enquiriesEurope@jardencs.com) para obtener más información sobre WEEE y el reciclaje.

Jarden Consumer Solutions (Europe) Limited  
5400 Lakeside  
Cheadle Royal Business Park  
Cheadle  
SK8 3GQ  
United Kingdom



# Solución de problemas

Problema	Solución
La luz Sellado instantáneo parpadea al intentar sellar.	Esto sucede para evitar el recalentamiento cuando el aparato se utiliza de forma intensiva. Si esto sucede, espere 20 minutos para dejar que el aparato se enfríe. Durante su uso, espere siempre 20 segundos antes de comenzar a envasar al vacío otro artículo.
La bomba permanece en funcionamiento durante más de 2 minutos pero no se extrae aire.	Asegúrese de que el extremo abierto de la bolsa se introduce en la bandeja de goteo dentro del área de la junta inferior. Compruebe que las juntas se ajustan correctamente y no están dañadas. Asegúrese de que al menos un extremo de la bolsa está sellado. Abra la unidad y compruebe que no haya objetos externos, suciedad o residuos en las juntas superior o inferior. Asegúrese de que haya espacio suficiente en la parte superior de la bolsa (75 mm) para que quepa en la bandeja de goteo con la tapa cerrada y bloqueada. Asegúrese de que no está conectado el tubo accesorio. Asegúrese de que la tapa está totalmente cerrada y el pestillo está en la posición de cierre.
La bolsa no se sella correctamente.	Hay humedad o grasa en el punto de sellado de la bolsa. Limpie la humedad sobrante con una servilleta de papel limpia y seca. Hay demasiado líquido en la bolsa. Congele el contenido de la bolsa antes de envasarlo al vacío. Hay una arruga en la línea de sellado. Estire con cuidado la bolsa para dejarla plana mientras la introduce en la bandeja de goteo y continúe sujetando la bolsa hasta que se ponga en marcha la bomba de vacío. Si ya se ha hecho esto y la bolsa continúa sin sellarse, cree un segundo sellado por encima del primero.
No sucede nada al cerrar la tapa y pulsar el botón Vacío y sellado o el botón Sellado instantáneo.	Asegúrese de que la tapa está totalmente cerrada y el pestillo está en la posición de cierre.
La luz de alimentación se ha apagado con la tapa cerrada y el pestillo en la posición de cierre.	Si el aparato se deja sin tocar durante 12 minutos, entrará en modo Standby y todos los indicadores luminosos permanecerán apagados. Pulse el botón de función correspondiente para regresar al modo requerido (por ejemplo, Vacío y sellado).

# Instruções de Segurança Importantes

Este aparelho pode ser utilizado por crianças com mais de 8 anos e pessoas com capacidades físicas, sensoriais ou mentais reduzidas ou falta de experiência e conhecimento, se forem supervisionadas ou receberem instruções relacionadas com a utilização do aparelho numa área segura e compreenderem os riscos envolvidos. As crianças não devem brincar com o aparelho. A limpeza e manutenção de utilização não deve ser feita por crianças sem supervisão.

Se o cabo de alimentação estiver danificado, deve ser substituído pelo fabricante, o respetivo agente de assistência ou pessoas semelhantes qualificadas, a fim de evitar acidentes.

- Utilize sempre o aparelho numa superfície estável, segura, seca e nivelada.
- **ATENÇÃO: ESTE APARELHO PARA EMBALAR NÃO É PARA UTILIZAÇÃO COMERCIAL.** Nunca utilize este aparelho com outro objetivo que não aquele para o qual foi criado. Este aparelho serve apenas para utilização doméstica. Não utilize este aparelho em espaços exteriores.
- Nunca submerja qualquer parte do utensílio ou cabo e ficha de alimentação em água ou qualquer outro líquido.
- Não utilize o utensílio, caso ele tenha caído ou se estiver sinais visíveis de danos.
- Certifique-se de que o aparelho está desligado e a ficha desligada da tomada elétrica antes de o limpar.
- Para o desligar, desligue o cabo de alimentação da tomada elétrica. Não desligue puxando o cabo.
- Não utilize uma extensão com o aparelho.
- Utilize apenas acessórios ou junções recomendados pelo fabricante.
- Quando reaquecer alimentos nos sacos FoodSaver certifique-se de que os coloca em água em lume brando a uma temperatura reduzida abaixo de 75°C (170°F).
- **OS ALIMENTOS DENTRO DO SACO PODEM SER DESCONGELADOS MAS NÃO REAQUECIDOS NUM MICROONDAS.** Quando descongelar alimentos no microondas em sacos FoodSaver, certifique-se de não exceder a potência máxima de 180 watts (definição de descongelação), tempo máximo de 2 minutos e temperatura máxima de 70°C (158°F).

## LEIA E GUARDE ESTAS INSTRUÇÕES IMPORTANTES

## O Sistema FoodSaver

### Porquê embalar a comida em vácuo?

A exposição ao ar faz com que a comida perca nutrientes e sabor, provoca também queimaduras devido à congelação e permite que de desenvolvem muitas bactérias, bolor e levedura. O sistema para

embalar em vácuo FoodSaver retira o ar e fecha hermeticamente o sabor e a qualidade. Com uma linha completa de sacos FoodSaver, e recipientes para alargar as suas opções, pode agora desfrutar dos benefícios de um método cientificamente comprovado de armazenamento de comida que a mantém fresca durante um período cinco vezes superior ao habitual.

### O Sistema FoodSaver Poupa Tempo e Dinheiro.

- **Gaste menos dinheiro.** Com o sistema FoodSaver, pode comprar alimentos em grande quantidade ou em promoção e embalá-los em vácuo nas quantidades pretendidas sem desperdiçar comida.
- **Poupe mais tempo.** Cozinhe com antecedência para toda a semana, preparando as refeições e guardando-as em sacos FoodSaver.
- **Marinar em minutos.** Embalar em vácuo abre os poros dos alimentos para que consiga obter aquele sabor fantástico da marinada em apenas 20 minutos em vez de demorar a noite toda.
- **Mais tempo para se divertir.** Confeccione a sua especialidade e os acepipes para as férias com antecedência para que possa passar mais tempo com os convidados.
- **Desfrute de alimentos da estação ou especiais.** Mantenha os itens com maior probabilidade de deterioração ou utilizados com menos frequência frescos durante mais tempo.
- **Controle as porções para a dieta.** Embale em vácuo porções razoáveis e escreva as calorias ou gramas de gordura no saco.
- **Proteja itens não alimentares.** Mantenha o equipamento de campismo e do barco seco e organizado para quando sai. Evite que a prata polida perca o brilho minimizando a exposição ao ar.

## Acessórios FoodSaver

Aproveite ao máximo o aparelho FoodSaver com sacos, recipientes e acessórios FoodSaver fáceis de utilizar.

### Sacos e Rolos FoodSaver

Os sacos e rolos FoodSaver incluem canais especiais que permitem uma remoção eficiente do ar. A formação de camadas múltiplas torna-os uma barreira especialmente resistente ao oxigénio e à humidade e ajuda a evitar queimaduras devido à congelação. Os sacos e rolos FoodSaver estão disponíveis em diversos tamanhos.

### Recipientes FoodSaver

Os recipientes FoodSaver são fáceis de utilizar e ideais para embalar em vácuo itens delicados como muffins e outros produtos de padaria, líquidos e produtos secos.

### Tampas de garrafa FoodSaver

Utilize tampas de garrafa FoodSaver para embalar em vácuo vinho, bebidas sem gás e óleos. Isto prolongará a duração do líquido e preservará o sabor. Não utilize as tampas de garrafa em garrafas plásticas.

### Marinador Rápido FoodSaver

Este marinador rápido transmite sabor aos alimentos em minutos em vez de demorar horas utilizando o poder do vácuo para que os alimentos absorvam de forma mais profunda as marinadas.

### Encomendas



Para encomendar os sacos, rolos e acessórios FoodSaver, visite por favor [www.foodsavereurope.com](http://www.foodsavereurope.com) e seleccione a região.

## Componentes (Ver figura 1)

<b>A</b> Vedante superior	<b>L</b> Botão de velocidade
<b>B</b> Cortador de rolo	<b>M</b> Luzes de velocidade (Lento/Normal/Rápido)
<b>C</b> Barra de cortador de rolo	<b>N</b> Botão acessório/lata
<b>D</b> Vedante inferior	<b>O</b> Botão de tipo de alimento
<b>E</b> Faixa de selagem	<b>P</b> Luz de alimentos secos
<b>F</b> Bandeja de gotejamento amovível	<b>Q</b> Luz de alimentos húmidos
<b>G</b> Armazenamento de rolo	<b>R</b> Botão de pulsão de vácuo
<b>H</b> Trinco	<b>S</b> Botão de selagem instantânea
<b>I</b> Painel de controlo	<b>T</b> Botão de vácuo e selar
<b>J</b> Porta de acessório	<b>U</b> Luz de alimentação
<b>K</b> Mangueira acessória	

## Fazer um saco a partir de um rolo FoodSaver


Pode fazer os seus próprios sacos com tamanho personalizado a partir de um rolo FoodSaver. Referente a Fig. 2:

1. Ligue o aparelho para embalar em vácuo a uma tomada elétrica. Mova o trinco (**H**) para a posição aberta () e abra a tampa. Se ainda não o tiver feito, coloque o rolo FoodSaver na zona de armazenamento (**G**), em seguida levante a barra de corte do rolo (**C**) e passe a extremidade do rolo por baixo da barra. Puxe a extremidade do rolo até cerca de 10 mm do rolo cobrir a faixa de selagem (**E**).
2. Feche a tampa e mova o trinco (**H**) para a posição fechada (). Pressione o botão de Selagem Instantânea (**S**). Quando a luz de selagem se apagar, abra a tampa. A extremidade do rolo estará agora selada.
3. Puxe o rolo até ter o comprimento necessário para o item a ser embalado. Acrescente mais 75 mm para permitir que o saco seja selado, depois faça deslizar o cortador de rolo (**B**) para cortar o rolo.

Pode depois começar a utilizar o seu aparelho para embalar a vácuo (consultar *Utilizar o Aparelho para Embalar em Vácuo*).

## Utilizar o Aparelho para Embalar em Vácuo

Referente a Fig. 3:

1. Coloque o item a ser embalado dentro de um saco. Pode utilizar um saco FoodSaver já preparado ou criar um personalizado a partir de um rolo FoodSaver.
2. Coloque a extremidade aberta do saco na ranhura da bandeja escorredora (**F**).
3. Feche a tampa e mova o trinco (**H**) para a posição fechada ().
4. Se assim o desejar, prima o botão de velocidade (**L**) para selecionar a definição de velocidade Rápida, Normal ou Lenta. Selecione Lenta para alimentos delicados, Normal para sacos de tamanho médio, latas e todos os acessórios; Rápida para tamanhos de saco e latas maiores.

5. Se estiver a embalar alimentos que sejam húmidos ou muito sumarentos, prima o botão de Tipo de alimento (**O**) uma vez (a luz de Alimentos húmidos (**Q**) acende-se). Para alimentos secos, certifique-se de que a luz Alimento Seco (**P**) permanece acesa (esta é a redefinição).
6. Prima o botão Vácuo e Selar (**T**). O seu utensílio FoodSaver irá começar a remover o ar do saco. Quando a luz de progresso de vácuo se apagar, o saco começa a ser selado (a luz de progresso de selagem acende-se).
7. O processo está concluído quando a luz de progresso de selagem se apagar.

### Selar um saco sem remover o ar

Para selar um saco sem extrair o ar nele contido, prima o botão de Selagem Instantânea (**S**) (o processo está concluído quando a luz de selagem se apagar). É possível selar os tipos de pacotes utilizados para embalar aperitivos, como batatas fritas, tiras de milho, etc.


### Utilizar o botão de Pulsão de Vácuo

Alguns itens como bolos, pão, bolachas, etc. podem ficar esmagados quando são colocados sob vácuo. Para evitar essa situação, utilize o botão Pulsão de Vácuo (**R**) da seguinte forma:

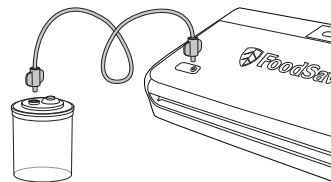
1. Siga os passos 1, 2, 3, 4 e 5 de Utilizar o Aparelho para Embalar em Vácuo.
2. Mantenha premido o botão de Pulsão de Vácuo (**R**), conforme necessário. A bomba de vácuo irá operar enquanto o botão continuar a ser premido. Solte o botão antes que os alimentos sejam esmagados. Parará imediatamente qualquer extração de mais ar.
3. Prima o botão de Selagem Instantânea (**S**) imediatamente após concluir o vácuo. A luz de progresso de selagem irá acender-se. O processo está concluído quando a luz de progresso de selagem se apagar.

**NOTA:** Se a bomba de vácuo parar enquanto prime o botão de Pulsão de Vácuo, significa que foi alcançado o máximo de vácuo e que não pode ser extraído mais ar.

### Utilizar acessórios FoodSaver

1. Insira uma extremidade da mangueira acessória (**K**) na porta de acessório (**J**) no aparelho FoodSaver. Insira a outra extremidade do tubo na porta do acessório e certifique-se de que está presa firmemente. Siga as instruções específicas que possam vir com o acessório FoodSaver.
2. Feche a tampa e mova o trinco (**H**) para a posição fechada ().
3. Prima o botão Acessório/Lata (**N**). O processo estará concluído quando a luz de progresso se apagar.

**NOTA:** O tempo necessário para extrair todo o ar do acessório irá depender do tamanho do acessório.



# Guia de Armazenamento, Dicas e Sugestões

## Embalar em Vácuo e Segurança dos Alimentos

O processo de embalar em vácuo prolonga a validade dos alimentos removendo a maior parte do ar do recipiente selado, reduzindo assim a oxidação, que afeta o valor nutricional, o sabor e a qualidade geral. A remoção do ar pode também inibir o crescimento de micro-organismos, o que pode causar problemas em determinadas condições.

Para preservar os alimentos em segurança, é fundamental que os mantenha a temperaturas baixas. Pode reduzir de forma significativa o crescimento de micro-organismos até uma temperatura de 4°C ou inferior.

Congelar a -17°C não destrói os micro-organismos, mas impede-os de crescer. Para um armazenamento de longa duração, congele sempre alimentos perecíveis tendo sido embalados em vácuo, e mantenha-os frescos após a descongelação.

É importante ter em consideração que embalar em vácuo NÃO é um substituto para o processo de conservação e não pode reverter o processo de deterioração dos alimentos. Só pode abrandar as alterações na qualidade. É difícil prever durante quanto tempo os alimentos mantêm a melhor qualidade em termos de sabor, aspeto ou textura, porque isso depende da "idade" e condição do alimento no dia em que foi embalado em vácuo.

Alimentos	Validade
Carne de vaca, Carne de porco, Carne de borrego, Carne de aves	2-3 anos
Carne picada	1 ano
Peixe	2 anos
Queijos duros (Cheddar, Parmesão, Edam, Gouda, etc.)	4-8 meses
Espargos, Brócolos, Cenouras, Couve-flor, Couve, Couve-de-bruxelas, Feijão-verde, Ervilhas, Milho, etc.	2-3 anos
Alface, Espinafres, etc.	2 semanas
Alperces, Ameixas, Pêssegos, Nectarinas, etc	1-3 anos
Frutos vermelhos (Framboesas, Amoras, Morangos, etc)	1 semana
Bagas duras (Mirtilos, Arandos, etc.)	2 semanas
Pão, Bagels, Bolos	1-3 anos
Nozes e Sementes	2 anos
Grãos de café	1 ano
Café em grão	5-6 meses
Produtos em pó (Açúcar, Farinha, etc)	1-2 anos
Molhos, Sopas, Estufados, etc.	1-2 anos
Produtos secos (Feijões, Massa, Arroz, Grãos, etc.)	1-2 anos
Batatas fritas, bolachas, bolachas salgadas, etc.	3-6 semanas

**IMPORTANTE:** Embalar em vácuo NÃO é um substituto para refrigeração ou congelação. Todos os alimentos perecíveis ainda devem ser refrigerados ou congelados depois de serem embalados em vácuo. Para evitar possíveis contaminações, não reutilize sacos após guardar carnes ou peixes crus ou alimentos com gordura. Não reutilize sacos que tenham sido utilizados no micro-ondas ou fervidos.

### Descongelar e Reaquecer Alimentos Embalados em Vácuo

OS ALIMENTOS DENTRO DE SACOS PODEM SER DESCONGELADOS MAS NÃO REAQUECIDOS NUM MICRO-ONDAS.

**Descongelar** - Descongele sempre os alimentos num frigorífico ou num micro-ondas — não descongele alimentos perecíveis à temperatura ambiente. Certifique-se de que cortou o canto do saco antes de o colocar dentro do micro-ondas. Recomendamos que coloque o saco num prato adequado para micro-ondas para evitar que se derramem líquidos.

**Reaquecer** - Para reaquecer alimentos num micro-ondas, retire-os do saco e coloque-os num prato adequado para micro-ondas.

Também é possível reaquecer alimentos nos sacos FoodSaver colocando-os em água em lume brando a uma temperatura reduzida, abaixo de 75°C (170°F). Certifique-se de os alimentos são aquecidos homogeneamente.

Onde Armazenar	Observações
Congelador	Congele previamente alimentos húmidos antes de embalar em vácuo. Em alternativa, coloque uma folha de papel dobrada entre a comida e a extremidade do saco para absorver o líquido em excesso. Lembre-se de deixar 75 mm de espaço depois do papel para deixar espaço para realizar a selagem. <b>Nota:</b> A carne de vaca pode ficar mais escura depois de ser embalada em vácuo por causa da remoção do oxigénio. Isto não é um sinal de deterioração.
Congelador	
Congelador	
Frigorífico	Para manter o queijo fresco embale-o em vácuo após cada utilização. Faça os sacos mais compridos, para deixar 25 mm para cada nova selagem. NUNCA embale em vácuo queijos moles.
Conserve sempre no congelador	Escalde os vegetais até ficarem cozinhados mantendo-os estaladiços antes de embalar. Congele antes de embalar. Separe-os durante a congelação para evitar que os vegetais fiquem colados uns aos outros quando são embalados. NUNCA embale em vácuo cogumelos frescos.
Frigorífico	Lave e seque em seguida. Para obter melhores resultados, embale utilizando um recipiente FoodSaver.
Congelador	Congele previamente frutos vermelhos e bagas antes de embalar. Separe-os durante a congelação para evitar que os frutos fiquem colados uns aos outros quando são embalados.
Frigorífico	
Frigorífico	
Congelador	Recomendamos a utilização de um recipiente FoodSaver para evitar que se esmaguem. Em alternativa, congele previamente até ficarem sólidos.
Despensa	Para evitar que as partículas dos alimentos passem para a bomba de vácuo, coloque um filtro de café ou papel no cimo do saco ou recipiente antes de embalar em vácuo. Também é possível colocar os alimentos no saco de origem dentro dum saco FoodSaver.
Despensa	
Despensa	
Despensa	
Congelador	Congele previamente num recipiente adequado até ficar sólido. Remova líquido congelado e embale em vácuo num saco FoodSaver.
Despensa	
Despensa	Para obter melhores resultados, utilize um recipiente FoodSaver para itens que se podem esmagar, como as bolachas.



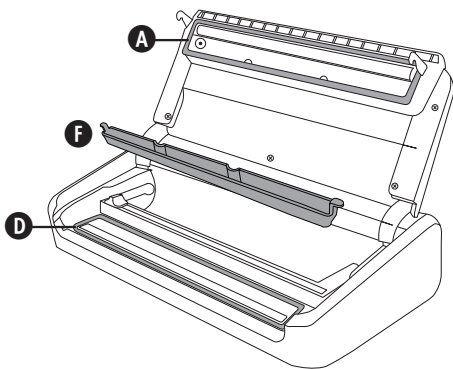
## Cuidados e Limpeza

**Nunca imerja a unidade ou o cabo de alimentação e a ficha em água ou em qualquer outro líquido. Desligue sempre a unidade antes de a limpar.**

Limpe a estrutura do aparelho com um pano suave, seco.

Remova e esvazie a bandeja escorredora (F) após cada utilização. Lave-a em água quente com detergente ou coloque-a na prateleira superior de uma máquina de lavar louça. Seque cuidadosamente antes de a instalar de novo.

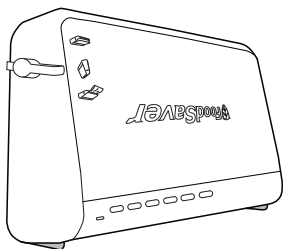
Verifique o vedante superior (A), vedante inferior (D) e à volta da bandeja escorredora para assegurar que não ficam restos de comida. Se necessário limpe os vedantes com um pano molhado em água quente com detergente. Os vedantes podem ser retirados para serem limpos. Limpe-os com água quente com detergente. Seque-os cuidadosamente, em seguida volte a colocá-los.



Para manter o seu aparelho FoodSaver a trabalhar de forma eficiente, recomendamos que substitua os vedantes todos os anos. Para encomendar peças de substituição, visite [www.foodsavereurope.com](http://www.foodsavereurope.com).

## Armazenamento

1. Feche a tampa e mova o trinco (H) para a posição de armazenamento (H). Isto é suficiente para segurar a tampa mas evita comprimir os vedantes (que pode causar um funcionamento incorreto da unidade).
2. Levante a frente do aparelho e coloque-o sobre os pés de armazenamento numa posição vertical.



## Garantia

Guarde este recibo, uma vez que ele será necessário caso hajam queixas durante o período de garantia.

Este equipamento tem garantia de 2 anos após a compra, tal como descrito neste documento.

Durante este período de garantia, no evento improvável do aparelho deixar de funcionar devido a um problema de design ou fabrico, devolva o produto ao local de compra, com o seu recibo de compra e uma cópia desta garantia.

Os direitos e benefícios ao abrigo desta garantia são adicionais aos seus direitos estatutários, os quais não são afetados por esta garantia. Apenas a Jarden Consumer Solutions (Europe) Limited ("JCS (Europe)") tem o direito de alterar estes termos.

A JCS (Europe) aceita, durante o período de garantia, reparar ou substituir o equipamento, ou qualquer parte do equipamento, que não esteja a funcionar adequadamente, livre de qualquer custo, desde que:

- notifique imediatamente o local de compra ou a JCS (Europe) do problema; e
- o equipamento não tenha sido alterado de qualquer forma, ou sujeito a danos, má utilização, abuso, reparação ou alteração por uma pessoa não autorizada pela JCS (Europe).

Os problemas que ocorram devido a má utilização, danos, abuso, utilização com voltagem incorreta, forças da natureza, eventos fora do controlo da JCS (Europe), reparação ou alteração por uma pessoa não autorizada pela JCS (Europe), ou falha de seguimento das instruções de utilização, não são abrangidos por esta garantia. Adicionalmente, a utilização e desgaste normal, incluindo, mas não se limitando a, descoloração mínima e riscos, não são abrangidos por esta garantia.

Os direitos ao abrigo desta garantia apenas se aplicam ao comprador original e não se estendem à utilização comercial ou comum.

Se o seu equipamento incluir uma garantia específica de país ou inserção de garantia, consulte os termos e condições de tal garantia em vez desta garantia, ou contacte o seu vendedor local autorizado para obter mais informação.

A eliminação de produtos elétricos não deve ser feita juntamente com o lixo doméstico. Recicle nas instalações corretas. Envie-nos um email para [enquiriesEurope@jardencs.com](mailto:enquiriesEurope@jardencs.com) para mais informação sobre reciclagem e REEE.

Jarden Consumer Solutions (Europe) Limited  
5400 Lakeside  
Cheadle Royal Business Park  
Cheadle  
SK8 3GQ  
United Kingdom



## Resolução de problemas

Problema	Solução
A luz de selagem instantânea pisca quando tenta selar.	Quando sujeito a utilização intensa, isto irá acontecer para evitar sobreaquecimento do aparelho. Se isto acontecer, espere 20 minutos para permitir que o aparelho arrefeça. Durante a utilização, espera sempre, pelo menos, 20 segundos antes de começar a embalar a vácuo outro alimento.
A bomba funciona durante mais de 2 minutos sem que o ar seja retirado.	Certifique-se de que a extremidade aberta do saco está inserida na bandeja de gotejamento dentro da área de vedação inferior. Verifique se os dois vedantes estão devidamente montados e não danificados. Verifique se pelo menos uma das extremidades do saco está selada. Abra a unidade e verifique se não existe nenhum objeto estranho, sujidade ou restos de comida nos vedantes superior ou inferior. Certifique-se de que existe espaço suficiente no topo do saco (75 mm) para que encaixe na bandeja escorredora com a tampa fechada e presa. Assegure que o tubo para acessórios não está encaixado. Certifique-se de que a tampa está completamente fechada com o trinco na posição fechada.
O saco não está a ser selado devidamente.	Existe humidade ou gordura no saco no ponto de selagem. Limpe qualquer excesso de humidade com uma toalha de papel limpa e seca. Há muito líquido no saco. Congele os conteúdos do saco antes de embalar em vácuo. Existe um vinco na linha de selagem. Com cuidado, estique ligeiramente o saco na horizontal enquanto o insere na bandeja de gotejamento e mantenha-o assim até a bomba de vácuo começar a funcionar. Se já o tiver feito e o saco continuar sem selar, crie um segundo selo acima do primeiro.
Nada acontece quando a tampa está fechada e se prime o Botão Vácuo e Selar ou Selagem Instantânea.	Certifique-se de que a tampa está completamente fechada com o trinco na posição fechada.
A luz de alimentação apagou-se quando a tampa estava fechada e o trinco estava na posição fechada.	Se o aparelho for deixado sem ser tocado durante 12 minutos, este irá entrar no modo de Suspensão e todas as luzes indicadoras irão permanecer desligadas. Prima o botão de função apropriado para regressar ao modo desejado (ex.: Vácuo e Selo).

## Precauzioni Importanti

Questa apparecchiatura può essere utilizzata da bambini di almeno 8 anni di età e da persone con ridotte capacità fisiche, sensoriali o mentali oppure con mancanza di esperienza e conoscenza, a condizione che siano supervisionate o siano state istruite relativamente all'utilizzo sicuro dell'apparecchiatura e comprendano i rischi che possono derivare da tale utilizzo. Non lasciare giocare i bambini con l'apparecchiatura. Le operazioni di pulizia e manutenzione non devono essere eseguite da bambini senza supervisione.

Al fine di evitare rischi, qualora il cavo di alimentazione fosse danneggiato, deve essere riparato dalla casa produttrice, da un tecnico autorizzato o da una persona con simili qualifiche.

- Utilizzare sempre l'apparecchio su una superficie stabile, sicura, asciutta e piana.
- **ATTENZIONE: QUESTA TERMOSIGILLATRICE NON È INTESA PER USO COMMERCIALE.** Non immergere alcun componente dell'apparecchiatura, il cavo di alimentazione o la spina in acqua o in altri liquidi.
- Non immergere mai l'apparecchio o il cavo di alimentazione e la spina in acqua o in altri liquidi.
- Non utilizzare l'apparecchio nel caso in cui sia stato fatto cadere o presenti segni visibili di danneggiamento.
- Verificare che l'apparecchio sia spento e scollegato dalla presa di alimentazione dopo l'uso e prima della pulizia.
- Per scollegare l'apparecchio, staccare il cavo di alimentazione dalla presa elettrica. Non tirare il cavo per scollegarlo.
- Non utilizzare prolunghe con l'apparecchio.
- Utilizzare esclusivamente accessori o connettori consigliati dalla casa produttrice.
- Quando si riscaldano gli alimenti nei sacchetti FoodSaver assicurarsi di porli in acqua sobollente a bassa temperatura, inferiore ai 75°C (170°F).
- **GLI ALIMENTI ALL'INTERNO DEL SACCHETTO POSSONO ESSERE SCONGELATI MA NON RISCALDATI IN UN FORNO A MICRO-ONDE.** In caso di scongelamento di alimenti nel micro-onde in sacchetti FoodSaver, assicurarsi di non superare la potenza massima di 180 watt (impostazione per lo scongelamento), il tempo massimo di 2 minuti e la temperatura massima di 70° C.

### CONSERVARE QUESTE ISTRUZIONI

## Il sistema FoodSaver

### Perché confezionare sottovuoto?

L'esposizione all'aria disperde il contenuto nutritivo e il sapore degli alimenti e stimola la crescita di batteri e di muffa. Il sistema di confezionamento sottovuoto FoodSaver elimina l'aria e preserva i sapori e la qualità degli alimenti. La linea completa di buste e contenitori FoodSaver soddisfa qualsiasi esigenza e permette di trarre vantaggio da questo metodo scientifico di conservazione alimentare, per mantenere i prodotti freschi fino a cinque volte più a lungo.

### Il sistema FoodSaver fa risparmiare tempo e denaro

- **Spendete di meno.** Con il sistema FoodSaver potrete acquistare prodotti all'ingrosso o in offerta e confezionarli sottovuoto nelle porzioni desiderate, senza sprechi.
- **Risparmiate tempo.** Preparate i vostri piatti per tutta la settimana e conservateli nelle buste FoodSaver.
- **Marinate in pochi minuti.** Il confezionamento sottovuoto apre i pori degli alimenti per velocizzare la marinatura - bastano 20 minuti!
- **Godetevi le feste.** Preparate i vostri piatti speciali in anticipo, per trascorrere il tempo con gli invitati e non in cucina.
- **Cibi fuori stagione sempre a disposizione.** Mantenete freschi a lungo i prodotti deteriorabili, per assaporarli anche fuori stagione.
- **Controllate le porzioni per la dieta.** Il confezionamento sottovuoto è ideale per suddividere le porzioni e annotare calorie e/o contenuto di grassi su ogni busta.
- **Proteggete anche prodotti non alimentari.** Organizzate nelle buste vari articoli per il tempo libero, proteggete l'argento dall'ossidazione riducendone l'esposizione all'aria.

## Accessori FoodSaver

Le migliori prestazioni dell'apparecchio FoodSaver si ottengono usando i sacchetti, le scatole e i contenitori FoodSaver facili da usare.

### Sacchetti e rotoli FoodSaver

I sacchetti e i rotoli FoodSaver sono dotati di canali speciali che abilitano la rimozione efficiente e completa dell'aria. La costruzione a multi pieghe ne fa una barriera specialmente efficace all'ossigeno e all'umidità, impedendo la bruciatura da freddo. I sacchetti e i rotoli FoodSaver sono forniti in una varietà di dimensioni.

### Scatole per il confezionamento sottovuoto FoodSaver

Le scatole FoodSaver sono facili da usare e ideali per il confezionamento sottovuoto di alimenti delicati quali muffin e altri alimenti cotti in forno, liquidi e alimenti secchi.

### Tappo per bottiglie FoodSaver

Usare tappi per bottiglie FoodSaver per confezionare sottovuoto vini, liquidi non effervescenti e oli. In tal modo sarà prolungata la durata del liquido e preservato l'aroma. Evitare l'uso del tappo su bottiglie di plastica.

### Aromatizzatore rapido FoodSaver

L'aromatizzatore rapido aromatizza gli alimenti in pochi minuti, anziché in ore, utilizzando la potenza del sottovuoto per far penetrare a fondo gli aromi nei cibi.

### Ordinazioni



Per ordinare sacchetti, rotoli e accessori FoodSaver, visitare il sito [www.foodsavereurope.com](http://www.foodsavereurope.com) e selezionare la regione di residenza.

# Componenti (Facendo riferimento alla Fig. 1)

- |   |   |
|---|---|
| <b>A</b> Guarnizione superiore                        | <b>L</b> Pulsante Velocità                    |
| <b>B</b> Taglierina rotolo                            | <b>M</b> Spie Velocità (Lenta/Normale/Veloce) |
| <b>C</b> Barra taglierina rotolo                      | <b>N</b> Pulsante Contenitore/Accessorio      |
| <b>D</b> Guarnizione inferiore                        | <b>O</b> Pulsante Tipo di alimento            |
| <b>E</b> Striscia di sigillatura                      | <b>P</b> Pulsante Alimenti secchi             |
| <b>F</b> Vaschetta di raccolta delle gocce rimovibile | <b>Q</b> Pulsante Alimenti umidi              |
| <b>G</b> Vano rotolo                                  | <b>R</b> Pulsante Impulso sottovuoto          |
| <b>H</b> Chiusura                                     | <b>S</b> Pulsante Sigillatura istantanea      |
| <b>I</b> Pannello di controllo                        | <b>T</b> Pulsante Sottovuoto e sigillatura    |
| <b>J</b> Porta dell'accessorio                        | <b>U</b> Spia di accensione                   |
| <b>K</b> Tubicino dell'accessorio                     |   |

## Preparazione di un sacchetto dal rotolo FoodSaver


Avendo a disposizione un rotolo FoodSaver, è possibile preparare sacchetti di misure personalizzate. Facendo riferimento alla Fig. 2:

- Collegare il sigillatore sottovuoto a una presa dell'alimentazione di rete. Portare il fermo **H** nella posizione di apertura () e aprire il coperchio. Nel caso in cui questa operazione non sia ancora stata eseguita, collocare il rotolo FoodSaver nell'apposito scomparto **G**, quindi sollevare la barra della taglierina **C** e inserire l'estremità del rotolo sotto la barra. Tirare l'estremità del rotolo fino a quando 10 mm circa del rotolo si sovrappongono alla striscia di sigillatura **E**.
- Chiudere il coperchio e spostare il fermo **H** nella posizione di chiusura (). Premere il pulsante Sigillatura automatica **S**. Quando la spia della sigillatura si spegne, aprire il coperchio. L'estremità del rotolo sarà ora sigillata.
- Estrarre una parte del rotolo fino a ottenere la lunghezza desiderata per l'alimento da imballare. Aggiungere altri 75 mm per permettere la sigillatura del sacchetto, quindi far scorrere la taglierina **B** per tagliare il rotolo.

A quel punto è possibile utilizzare il sistema di sigillatura sottovuoto (consultare la sezione *Utilizzo del sigillatore sottovuoto*).

## Utilizzo del sigillatore sottovuoto

Facendo riferimento alla Fig. 3:

- Inserire l'alimento da imballare nel sacchetto. È possibile utilizzare un sacchetto FoodSaver già pronto oppure prepararne uno personalizzato da un rotolo FoodSaver.
- Collocare l'estremità aperta del sacchetto nella fessura della vaschetta di raccolta delle gocce **F**.
- Chiudere il coperchio e spostare il fermo **H** nella posizione di chiusura ()
- All'occorrenza, premere il pulsante velocità **L** per selezionare l'impostazione desiderata: Veloce, Normale o Lenta. Selezionare Lenta per gli alimenti delicati; Normale per sacchetti e contenitori e tutti gli accessori di dimensioni standard; Veloce per sacchetti e contenitori di dimensioni più grandi.

- Per l'imballaggio di alimenti umidi o con molto liquido, premere una volta il pulsante Tipo di alimento **O** (la spia Alimento umido **O** si accende). Per gli alimenti secchi, assicurarsi che la spia Alimenti secchi **P** resti accesa (impostazione predefinita).
- Premere il pulsante Sottovuoto e sigillatura **T**. L'apparecchio FoodSaver comincia a togliere l'aria dal sacchetto. Quando la spia indicante l'avanzamento del sottovuoto si spegne, ha inizio la sigillatura del sacchetto (la spia indicante l'avanzamento della sigillatura si accende).
- Il processo è completo quando la spia di avanzamento della sigillatura si spegne.

### Sigillatura di un sacchetto senza eliminare l'aria

Per sigillare un sacchetto senza estrarre l'aria, premere il pulsante Sigillatura istantanea **S** (il processo è completo quando la spia della sigillatura si spegne). È possibile sigillare i vari tipi di sacchetti utilizzati per confezionare spuntini come patatine fritte, tortilla ecc.


### Utilizzo del pulsante Sigillatura a impulsi

Durante la sigillatura, alcuni alimenti (paste sfoglie, pane, biscotti ecc.) possono sbriciolarsi. Per evitare che questo accada, utilizzare il pulsante Sigillatura a impulsi **R** come segue:

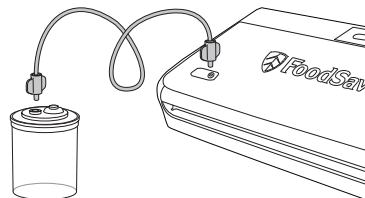
- Eseguire i passaggi 1, 2, 3, 4 e 5 relativi all'utilizzo del sigillatore sottovuoto.
- Premere e tenere premuto il pulsante Sigillatura a impulsi **R** secondo necessità. La pompa a vuoto funziona fino a quando si tiene premuto il pulsante. Rilasciare il pulsante prima della frantumazione degli alimenti. In questo modo si impedisce immediatamente l'estrazione di ulteriore aria.
- Premere il pulsante Sigillatura istantanea **S** subito dopo il sottovuoto. La spia indicante l'avanzamento della sigillatura si accende. Il processo è completo quando la spia di avanzamento della sigillatura si spegne.

**NOTA:** se la pompa a vuoto smette di funzionare mentre si preme il pulsante Aspirazione a impulsi, significa che è stato raggiunto il massimo livello di sottovuoto e non è possibile estrarre ulteriore aria.

### Utilizzo di accessori FoodSaver

- Inserire un'estremità del tubicino dell'accessorio **K** nell'apposita porta **J** dell'apparecchio FoodSaver. Inserire l'altra estremità del tubicino nella porta dell'accessorio e assicurarsi che sia ben fissata. Attenersi a eventuali istruzioni specifiche fornite insieme all'accessorio FoodSaver.
- Chiudere il coperchio e spostare il fermo **H** nella posizione di chiusura ()
- Premere il pulsante Contenitore/Accessorio **N**. Il processo è completo quando la spia indicante l'avanzamento si spegne.

**NOTA:** il tempo necessario per estrarre tutta l'aria dall'accessorio dipende dalle dimensioni del medesimo.



# Guida alla conservazione, suggerimenti e consigli

## Confezionamento sottovuoto e sicurezza degli alimenti

Il confezionamento sottovuoto prolunga la vita degli alimenti, poiché elimina la maggior parte dell'aria dal contenitore ermetico e riduce l'ossidazione che incide sul valore nutritivo, sul sapore e sulla qualità generale dei cibi. L'eliminazione dell'aria inibisce inoltre il proliferare di microrganismi che possono causare problemi in specifiche circostanze.

Per la conservazione sicura degli alimenti, è importante mantenerli a bassa temperatura. La crescita batterica si riduce considerevolmente a temperature di 4°C e inferiori.

Il congelamento a -17°C non neutralizza i microrganismi ma ne arresta la crescita. Per la conservazione nel lungo periodo, surgelare sempre i cibi deteriorabili che sono stati confezionati sottovuoto, e tenerli in frigorifero dopo averli scongelati.

È importante osservare che il confezionamento sottovuoto NON è un'alternativa all'inscatolamento e non inverte il deterioramento dei prodotti alimentari, ma può solo rallentare la perdita di qualità. È difficile prevedere la durata dei cibi al livello di qualità massima, ciò dipende dall'età e dalle condizioni di ogni prodotto quando viene sigillato sottovuoto.

Alimenti	Durata di conservazione
Manzo, maiale, agnello, pollame	2-3 anni
Carne trita	1 anno
Pesce	2 anni
Formaggi a pasta dura (cheddar, parmigiano, formaggio olandese a pasta gialla, gouda ecc.)	4-8 mesi
Asparagi, broccoli, carote, cavolfiore, cavolo, cavolini di Bruxelles, fagiolini, piselli, mais ecc.	2-3 anni
Lattuga, spinaci ecc.	2 settimane
Albicocche, prugne, pesche, pesche noci ecc.	1-3 anni
Frutti di bosco morbidi (lamponi, more, fragole ecc.)	1 settimana
Frutti di bosco duri (mirtilli ecc.)	2 settimane
Pane, taralli, pasta sfoglia	1-3 anni
Frutta a guscio e semi	2 anni
Caffè in chicchi	1 anno
Caffè macinato	5-6 mesi
Alimenti in polvere (zucchero, farina ecc.)	1-2 anni
Salse, minestre, spezzatino ecc.	1-2 anni
Alimenti secchi (fagioli, pasta, riso, cereali ecc.)	1-2 anni
Patatine fritte, biscotti, cracker ecc.	3-6 settimane

**IMPORTANTE:** Il confezionamento sottovuoto NON è un'alternativa alla refrigerazione o al congelamento. Qualsiasi prodotto alimentare deteriorabile da tenere in frigorifero deve essere refrigerato o surgelato dopo il confezionamento sottovuoto. Per evitare possibili malanni, non riusare i sacchetti dopo aver conservato carne o pesce crudi o alimenti grassi. No riusare i sacchetti che sono stati passati nel forno a microonde o sobolliti.

### Scongelamento e riscaldamento di prodotti alimentari confezionati sottovuoto

GLI ALIMENTI ALL'INTERNO DEI SACCHETTI POSSONO ESSERE SCONGELATI, MA NON RISCALDATI, NEL FORNO A MICROONDE.

**Scongelatura** – Scongela sempre gli alimenti nel frigorifero o nel forno a microonde — non scongelare alimenti deteriorabili a temperatura ambiente. Assicurarsi di aver tagliato l'angolo del sacchetto prima di introdurlo nel forno a microonde. Si raccomanda di porre il sacchetto su un piatto adatto al microonde per evitare lo spargimento di liquidi.

Assicurarsi di non superare la potenza di 180 watt, il tempo massimo di 2 minuti e la temperatura massima di 70°C (158°F).

**Riscaldamento** – Per riscaldare gli alimenti nel forno a microonde, rimuoverli dal sacchetto e porli su un piatto adatto al microonde.

Gli alimenti possono anche essere riscaldati in sacchetti FoodSaver, ponendoli nell'acqua a una temperatura di bassa ebollizione inferiore a 75°C (170°F).

Dove conservare	Note
Freezer	Precongelare gli alimenti umidi prima dell'imballaggio sottovuoto. In alternativa, collocare un pezzo di carta assorbente ripiegato fra l'alimento e l'estremità del sacchetto per assorbire il liquido in eccesso. Ricordarsi di lasciare 75 mm di spazio dopo il pezzo di carta per consentire la sigillatura sottovuoto. <b>Nota:</b> a causa dell'eliminazione dell'ossigeno, dopo l'imballaggio sottovuoto il manzo potrebbe assumere un colore più scuro. Questo fenomeno non è un'indicazione di deperimento.
Freezer	
Freezer	
Frigorifero	Per preservare la freschezza del formaggio, imballarlo sottovuoto dopo ciascun utilizzo. I sacchetti devono essere molto lunghi per lasciare 25 mm per ogni nuova sigillatura richiesta. Non imballare MAI sottovuoto i formaggi a pasta morbida.
Conservare sempre nel freezer	Prima dell'imballaggio, sbollentare le verdure fino a quando sono cotte ma ancora croccanti. Congelare prima dell'imballaggio. Separare durante il congelamento per evitare che le verdure si incollino fra loro quando vengono imballate. Non imballare MAI sottovuoto i funghi freschi.
Frigorifero	Lavare e poi asciugare. Per ottenere risultati ottimali, imballare utilizzando un contenitore FoodSaver.
Freezer	Prima dell'imballaggio, precongelare la frutta morbida e i frutti di bosco. Separare durante il congelamento per evitare che i singoli frutti si incollino fra loro quando vengono imballati.
Frigorifero	
Frigorifero	
Freezer	Si consiglia di utilizzare un contenitore FoodSaver per evitare che gli alimenti si sbriciolino. In alternativa, precongelare fino al raggiungimento dello stato solido.
Dispensa	Per evitare che particelle di cibo vengano risucchiate nella pompa a vuoto, collocare un filtro per il caffè o un pezzo di carta assorbente in cima al sacchetto, o al contenitore, prima dell'imballaggio sottovuoto. In alternativa è possibile inserire l'alimento nel sacchetto originale all'interno del sacchetto FoodSaver.
Dispensa	
Dispensa	
Dispensa	
Freezer	Precongelare in un contenitore adatto fino al raggiungimento dello stato solido. Rimuovere il liquido congelato e imballare sottovuoto in un sacchetto FoodSaver.
Dispensa	
Dispensa	Per ottenere risultati ottimali, utilizzare un contenitore FoodSaver per alimenti che si sbriciolano come ad esempio i cracker.

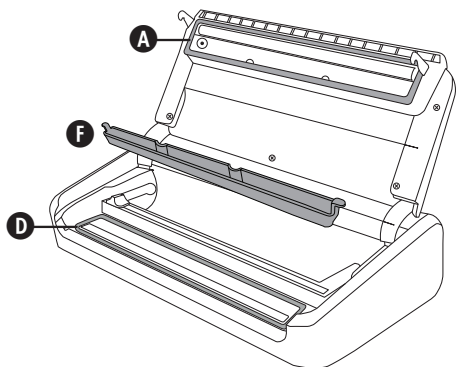
## Manutenzione e pulizia

**Non immergere mai l'unità, il cavo di alimentazione e la spina in acqua o in altri liquidi. Scollegare sempre l'unità dall'alimentazione prima della pulizia.**

Pulire il corpo dell'apparecchio con un panno morbido e asciutto.

Rimuovere e svuotare la vaschetta di raccolta delle gocce **(F)** dopo ciascun utilizzo. Lavarla in acqua saponata tiepida o collocarla nel ripiano superiore della lavastoviglie. Asciugare accuratamente prima di reinserire la vaschetta.

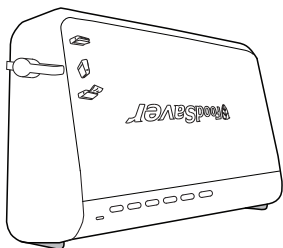
Controllare la guarnizione superiore **(A)** e inferiore **(D)**, nonché l'area intorno alla vaschetta di raccolta delle gocce per verificare che non siano presenti residui di alimenti. All'occorrenza pulire le guarnizioni con un panno imbevuto di acqua saponata tiepida. Le guarnizioni possono essere rimosse per eseguire la pulizia. Pulire le guarnizioni con acqua saponata tiepida. Asciugare accuratamente, quindi reinserire adottando la debita cautela.



Per garantire un funzionamento efficiente dell'apparecchio FoodSaver, si consiglia di sostituire le guarnizioni ogni anno. Per ordinare i pezzi di ricambio, visitare il sito [www.foodsavereurope.com](http://www.foodsavereurope.com).

## Conservazione

1. Chiudere il coperchio e spostare il fermo **(H)** nella posizione di conservazione **(I)**. Questa procedura è sufficiente per fissare il coperchio evitando però di comprimere le guarnizioni (cosa che potrebbe provocare il funzionamento difettoso dell'unità).
2. Sollevare la parte anteriore dell'apparecchio e appoggiarla sugli appositi piedini in posizione verticale.



## Garanzia

Conservare lo scontrino d'acquisto poiché esso sarà necessario per qualsiasi reclamo esposto in base alle condizioni di questo certificato di garanzia.

Questo prodotto è garantito per 2 anni dall'acquisto, secondo le modalità descritte nel presente documento.

Durante il decorso della garanzia, nell'improbabile eventualità che l'apparecchiatura si guasti a causa di un problema tecnico o di fabbricazione, riportarla al punto d'acquisto insieme allo scontrino fiscale e ad una copia di questo certificato di garanzia.

I diritti spettanti all'acquirente in base alle condizioni di questo certificato di garanzia sono in aggiunta a quelli previsti dalla legge che non risultano alterati dalle condizioni di questo certificato. Solo Jarden Consumer Solutions (Europe) Ltd. ("JCS (Europe)") ha l'autorità di modificare queste condizioni.

JCS (Europe) si impegna a riparare o a sostituire gratuitamente nell'arco del periodo di garanzia qualsiasi parte dell'apparecchiatura dovesse risultare difettosa, a condizione che:

- Si segnali tempestivamente il problema al punto d'acquisto o a JCS (Europe); e
- l'apparecchiatura non sia stata modificata in alcun modo né soggetta a danni, uso improprio o abuso, a riparazione o alterazione per opera di un tecnico non autorizzato da JCS (Europe).

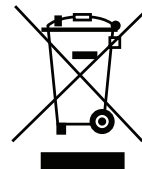
I guasti intervenuti durante l'uso normale, per uso improprio, danno, abuso, tensione incorretta, cause naturali, eventi non determinati da JCS (Europe), riparazione o alterazione per opera di un tecnico non autorizzato da JCS (Europe) o la mancata ottemperanza alle istruzioni d'uso sono esclusi dalla presente garanzia. Inoltre, l'uso normale compreso, a titolo di esempio, una lieve alterazione del colore (sbiadimento) e i graffi, non sono coperti dalla presente garanzia.

I diritti spettante all'utente ai sensi della presente garanzia si applicano unicamente all'acquirente originale e non si estendono all'uso commerciale o comunitario.

Se l'apparecchiatura è fornita con un accordo specifico per il paese o una cartolina di garanzia, consultare le condizioni di tale accordo, che prevalgono su quelle esposte in questa sede oppure rivolgersi a un rivenditore autorizzato per ulteriori informazioni.

I prodotti elettrici vanno smaltiti separatamente dai rifiuti domestici. Consegnarli ad un centro di riciclaggio, se disponibile. Scrivere a [enquiriesEurope@jardencs.com](mailto:enquiriesEurope@jardencs.com) per istruzioni sul riciclaggio e informazioni sulla direttiva RAEE.

Jarden Consumer Solutions (Europe) Limited  
5400 Lakeside  
Cheadle Royal Business Park  
Cheadle  
SK8 3GQ  
United Kingdom



# Risoluzione dei problemi

Problema	Soluzione
Il pulsante Sigillatura istantanea lampeggia quando si cerca di sigillare.	In condizioni di intenso utilizzo, questo avviene al fine di impedire il surriscaldamento. Nel caso in cui ciò dovesse accadere, attendere 20 minuti che l'apparecchio si raffreddi. Durante l'utilizzo, attendere almeno 20 secondi prima di iniziare a imballare sottovuoto un altro alimento.
La pompa funziona per più di 2 minuti senza che l'aria venga eliminata.	Verificare che l'estremità aperta del sacchetto sia inserita nella vaschetta di raccolta delle gocce nell'area della guarnizione inferiore. Controllare che entrambe le guarnizioni siano ben fissate e non presentino segni di danneggiamento. Controllare che almeno un'estremità del sacchetto sia sigillata. Aprire l'unità e controllare che non siano presenti oggetti estranei, impurità o residui nella guarnizione superiore o inferiore. Verificare che vi sia spazio sufficiente nella parte superiore del sacchetto (75 mm) in modo che quest'ultimo possa entrare nella vaschetta di raccolta delle gocce con il coperchio chiuso. Verificare che il tubicino dell'accessorio non sia collegato. Verificare che il coperchio sia perfettamente chiuso e che il fermo sia in posizione di chiusura.
Il sacchetto non viene sigillato correttamente.	Il sacchetto presenta umidità o grasso nel punto di sigillatura. Pulire l'eccesso di umidità con un panno di carta asciutto e pulito. Nel sacchetto è presente una quantità eccessiva di liquido. Congelare il contenuto del sacchetto prima del sottovuoto. Sulla linea di sigillatura è presente una piega. Stendere delicatamente il sacchetto inserendolo nel contempo nella vaschetta di raccolta delle gocce, quindi continuare a tenere il sacchetto fino all'avvio della pompa a vuoto. Se questa operazione è già stata eseguita e risulta tuttora impossibile sigillare il sacchetto, creare una seconda sigillatura sopra la prima.
Quando il coperchio è chiuso e si preme il pulsante Sottovuoto e sigillatura oppure Sigillatura istantanea, non succede niente.	Verificare che il coperchio sia perfettamente chiuso e che il fermo sia in posizione di chiusura.
La spia di accensione si è spenta quando il coperchio è chiuso e il gancio è nella posizione chiusa.	Se l'apparecchio non viene toccato per 12 minuti, passa alla modalità standby e tutte le spie indicatrici si spengono. Premere il pulsante della funzione appropriata per tornare alla modalità richiesta (per es. Sottovuoto e sigillatura).



Dit apparaat kan worden gebruikt door kinderen van 8 jaar en ouder en personen met beperkt fysiek, zintuiglijk of mentaal vermogen, of een gebrek aan ervaring en kennis, indien zij voldoende begeleiding of instructies hebben ontvangen over het veilige gebruik van het apparaat en zij de eventuele gevaren ervan begrijpen. Laat kinderen niet met dit apparaat spelen. Reiniging of onderhoud door kinderen mag uitsluitend onder begeleiding worden uitgevoerd.

Indien het stroomsnoer is beschadigd, dient dit door de fabrikant, zijn onderhoudsbedrijf of gelijksoortige erkende personen te worden vervangen om gevaren te voorkomen.

- Altijd zorgen dat het apparaat op een stabiel, stevig, droog en plat oppervlak staat.
- **OPGELET: DIT VACUMEERSYSTEEM IS NIET VOOR COMMERCIEEL GEBRUIK.** Dit apparaat niet gebruiken voor een ander doel dan het bestemde doel. Dit apparaat is uitsluitend voor huishoudelijk gebruik. Het is niet geschikt voor gebruik buiten.
- Geen enkel deel van het apparaat of het stroomsnoer onderdompelen in water of een andere vloeistof.
- Het apparaat niet gebruiken als het is gevallen of zichtbare beschadiging vertoont.
- Na gebruik, alvorens het apparaat te reinigen, altijd controleren of het apparaat is uitgeschakeld en de stekker uit het stopcontact is verwijderd.
- Neem de stekker uit het stopcontact om het apparaat uit te schakelen. Trek niet aan het stroomsnoer om de stekker te verwijderen.
- Gebruik geen verlengsnoer met het apparaat.
- Gebruik uitsluitend accessoires of hulpstukken die door de fabrikant zijn aanbevolen.
- Als etenswaren opnieuw worden opgewarmd in de zakken van FoodSaver, dan laat u ze sudderen in water op een lage temperatuur van minder dan 75°C (170°F).
- **VOEDSEL IN DE ZAK KAN IN EEN MAGNETRON WORDEN ONTDOOID MAAR NIET WORDEN OPGEWARMD.** Bij het ontdooien van voedsel in FoodSaver-zakken in de magnetron, mag een maximaal vermogen van 180 watt (stand voor ontdooien) worden gebruikt gedurende maximaal twee minuten en bij een maximumtemperatuur van 70°C.

### BEWAAR DEZE VEILIGHEIDSVOORSCHRIFTEN

### Waarom vacumeren?

Voedingsmiddelen verliezen voedingswaarde en smaak zodra zij worden blootgesteld aan lucht. Daarnaast veroorzaakt het vriesbrand en geeft het bacteriën, schimmels en gist de kans te groeien. Het FoodSaver vacumeersysteem onttrekt lucht en zorgt ervoor dat smaak en kwaliteit behouden blijft. Met de volledige lijn van FoodSaver zakken en voorraadbussen voor uitgebreide mogelijkheden, geniet u van de voordelen van een wetenschappelijk bewezen methode voor het bewaren voedingsmiddelen waardoor deze tot 5x langer vers blijven.

### Het FoodSaver systeem bespaart tijd en geld.

- **Bespaar geld.** Met het FoodSaver systeem, is het mogelijk grotere hoeveelheden voedingsmiddelen in te kopen en dit in kleine porties te vacumeren zodat niets verspild wordt.
- **Bespaar tijd.** Kook vooruit voor een week, bereid maaltijden voor en bewaar deze in de FoodSaver zakken.
- **Marineer razendsnel.** Vacumeren opent de poriën van voedsel, waardoor het binnen 20 minuten (in plaats van een hele nacht) die heerlijke gemarineerde smaak krijgt.
- **Maak gezelligheid makkelijk.** Bereid een karakteristieke maaltijd en feestelijke hapjes vooraf zodat er tijd en aandacht is voor de gasten.
- **Geniet van seizoensvoedsel of specialiteiten.** Zeer beperkt houdbare of weinig gebruikte producten worden langer vers gehouden.
- **Afgemeten porties voor diëten.** Vacumeer afgemeten porties en noteer op de zak het aantal calorieën en/ of het vetgehalte.
- **Bescherm artikelen.** Houd kampeer- en bootbenodigdheden droog en georganiseerd voor uitstapjes. Bescherm gepolijst zilver tegen aantasting en dof worden door het zo min mogelijk bloot te stellen aan lucht.

## FoodSaver accessoires

Maak optimaal gebruik van uw FoodSaver-apparaat met eenvoudig te gebruiken FoodSaver-zakken, -bewaartrommels en -accessoires.

### FoodSaver -zakken en -rollen

Aan het ontwerp van de FoodSaver-zakken en -rollen zijn speciale goten toegevoegd voor een efficiënte en volledige luchtverwijdering. De meervoudige samenstelling zorgt voor een effectieve afsluiting van zuurstof en vocht en voorkomt op deze manier vriesbrand. FoodSaver -zakken en -rollen zijn verkrijgbaar in meerdere maten.

### FoodSaver -bewaartrommels voor vacuümverpakking

FoodSaver -bewaartrommels zijn eenvoudig te gebruiken en ideaal voor het vacuümverpakken van delicate waren, zoals muffins en andere gebakjes, vloeistoffen en droge producten.

### FoodSaver flessenstop

Gebruik de flessenstop van FoodSaver voor het vacuümverpakken van wijn, koolzuurvrije vloeistoffen en oliën. Dit verlengt de levensduur van de vloeistof en behoudt de smaak. Gebruik de flessenstop niet op plastic flessen.

### FoodSaver Quick Marinator

In plaats van uw gerecht vele uren te moeten marinieren, gebruikt de Quick Marinator vacuümkracht om de marinade in enkele minuten volledig te laten intrekken.

## Bestellen

Voor het bestellen van zakken, rollen en accessoires voor uw FoodSaver gaat u naar [www.foodsaver.eu](http://www.foodsaver.eu) en kiest u uw land.

## Onderdelen (Zie figuur 1)

- |                                       |   |
|---------------------------------------|---|
| <b>A</b> Afdichting boven             | <b>L</b> Snelheidsregeling (snel/Snelheidsknop)   |
| <b>B</b> Snijmes voor rollen          | <b>M</b> Snelheidslampjes (langzaam/normaal/snel) |
| <b>C</b> Snijbalk voor rollen         | <b>N</b> Knop voor bus/accessoire                 |
| <b>D</b> Afdichting onder             | <b>O</b> Knop voor voedingstype                   |
| <b>E</b> Sealstrip                    | <b>P</b> Lampje droge voeding                     |
| <b>F</b> Uitneembaar lekbakje         | <b>Q</b> Lampje vochtige voeding                  |
| <b>G</b> Bergvak voor rollen          | <b>R</b> Pulsvacuümknop                           |
| <b>H</b> Vergrendeling                | <b>S</b> Sealknop                                 |
| <b>I</b> Bedieningspaneel             | <b>T</b> Knop Vacuüm en sealen                    |
| <b>J</b> Aansluiting voor accessoires | <b>U</b> Aan/uit-lampje                           |
| <b>K</b> Accessoireslang              |   |

## Zakken maken met een FoodSaver-rol

Met een FoodSaver-rol kunt u snel zakken op maat maken. Raadpleeg figuur 2:

- Sluit uw vacuümsealer aan op een stopcontact. Zet de vergrendeling (**H**) in de geopende stand (☞) en open de klep. Als u dit nog niet heeft gedaan, plaatst u de FoodSaver-rol in het bergvak (**G**), tilt u de snijbalk (**C**) omhoog en voert u het uiteinde van de rol onder de balk door. Trek het uiteinde van de rol verder naar buiten tot ongeveer 10 mm over de sealstrip (**F**).
- Sluit de klep en zet de vergrendeling (**H**) in de gesloten stand (☜). Druk op de sealknop (**S**). Open de klep wanneer het sealinglampje uitgaat. Het uiteinde van de rol is nu geseald.
- Trek de rol uit tot de gewenste maat van hetgeen u gaat verpakken. Voeg hier een extra 75 mm aan toe voor de sealrand van de zak en snijd de rol af door het snijmes (**B**) dwars over de rol te schuiven.

U kunt uw vacuümsealer dan gaan gebruiken (raadpleeg *Uw vacuümsealer gebruiken*).

## Uw vacuümsealer gebruiken

Raadpleeg figuur 3:

- Leg hetgeen u wilt verpakken in de zak. U kunt een kant-en-klaar FoodSaver-zak gebruiken of u kunt een FoodSaver-rol gebruiken om een zak op maat te maken.
- Plaats het open uiteinde van de zak in de sleuf van het lekbakje (**F**).
- Sluit de klep en zet de vergrendeling (**H**) in de gesloten stand (☜).
- Druk indien gewenst op de snelheidsregeling (**L**) en kies de instelling voor snel, normaal of langzaam sealen. Selecteer 'langzaam' voor delicate etenswaar, 'normaal' voor zakken van gemiddelde grootte, bussen en alle accessoires, en 'snel' voor grotere zakken en bussen.

- Als u vochtige of erg sappige voeding verpakt, drukt u één keer op de knop Voedingstype (**O**) (het lampje Vochtige voeding (**Q**) gaat branden). Voor droge voeding moet het lampje Droge voeding (**P**) blijven branden (dit is de standaardinstelling).
- Druk op de knop Vacuüm en sealen (**T**). Uw FoodSaver begint de lucht uit de zak te zuigen. Als het vacuümlampje uitgaat, wordt de zak geseald (het sealinglampje gaat branden).
- Als het sealinglampje uitgaat, is het hele proces voltooid.

### Een zak sealen zonder lucht te verwijderen

Als u een zak wilt sealen zonder eerst de lucht te verwijderen, drukt u op de Sealknop (**S**) (als het sealinglampje uitgaat, is het proces voltooid). U kunt zakken sealen van het type dat wordt gebruikt voor snacks zoals chips, tortilla chips, enz.

### De pulsvacuümknop gebruiken

Sommige eetwaren, zoals pastetjes, brood, koekjes, enz. kunnen worden geplet wanneer de lucht uit de verpakking wordt gezogen. Om dit te voorkomen, gebruikt u de pulsvacuümknop (**R**) als volgt:

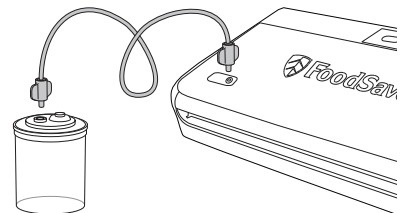
- Volg stap 1, 2, 3, 4 en 5 van 'Uw vacuümsealer gebruiken'
- Houdt de pulsvacuümknop (**R**) ingedrukt zo lang als nodig is. De vacuümpomp blijft werken zolang de knop ingedrukt wordt gehouden. Laat de knop los voordat het voedsel wordt geplet. De vacuümpomp stopt dan onmiddellijk en er wordt geen lucht meer verwijderd.
- Druk meteen na het vacumeren op de Sealknop (**S**). Het sealinglampje gaat branden. Als het sealinglampje uitgaat, is het hele proces voltooid.

**OPMERKING:** Als de vacuümpomp stopt terwijl de pulsvacuümknop nog ingedrukt wordt gehouden, betekent dit dat het maximum is bereikt en er geen lucht meer kan worden verwijderd.

### FoodSaver-accessoires gebruiken

- Sluit een uiteinde van accessoireslang (**K**) aan op slangaansluiting (**J**) op de FoodSaver. Sluit het andere uiteinde van de slang aan op de slangaansluiting op het accessoire en controleer of de slang goed stevig is aangebracht. Volg de specifieke instructies die bij het FoodSaver-accessoire zijn geleverd.
- Sluit de klep en zet de vergrendeling (**H**) in de gesloten stand (☜).
- Druk op de knop Bus/Accessoire (**N**). Als het werkingslampje uitgaat, is het proces voltooid.

**OPMERKING:** De benodigde tijdsduur om het accessoire te vacumeren is afhankelijk van de grootte van het accessoire.



# Opbergen, hints en tips

## Vacumeren en voedsel veiligheid

Het vacumeersproces verlengt het leven van voedsel door middel van onttrekking van de meeste lucht uit de gesealde verpakking. Daardoor wordt de hoeveelheid zuurstof teruggebracht. Die zuurstof heeft invloed op de voedingswaarde, de smaak en de algehele kwaliteit. Het onttrekken van lucht vertraagt ook de groei van micro-organismen, welke bederf veroorzaken.

Om voedingsmiddelen veilig te bewaren, is het van doorslaggevend belang dat de temperaturen laag gehouden worden. De groei van micro-organismen is aanmerkelijk te vertragen met temperaturen van 4°C of minder.

Vriezen op -17°C doodt de micro-organismen niet maar stopt de groei ervan. Voor het bewaren op lange termijn van beperkt houdbare producten, deze altijd na vacumeren invriezen, en na ontdooien bewaren in de koelkast.

Belangrijk om te vermelden is dat vacumeren GEEN vervanging is van innemen en het kan voedselbederf niet meer ongedaan maken. Het kan slechts veranderingen van kwaliteit vertragen. Het is moeilijk te voorspellen hoe lang voedingsmiddelen hun topkwaliteit smaak, uiterlijk en structuur behouden, daar dit afhankelijk is van leeftijd en de conditie van het voedsel op het moment dat het gevaccineerd wordt.

Voedingsmiddelen	Houdbaarheid
Rund-, varkens- en lamsvlees, gevogelte	2-3 jaar
Gehakt	1 jaar
Vis	2 jaar
Harde kaas (Edammer, Goudse en Parmesaanse kaas, enz.)	4-8 maanden
Asperges, broccoli, bloemkool, wortelen, kool, spruitjes, sperziebonen, erwten, maïs, enz.	2-3 jaar
Sla, spinazie, enz.	2 weken
Abrikozen, pruimen, perziken, nectarines, enz.	1-3 jaar
Zachte bessen (frambozen, bramen, aardbeien, enz.)	1 week
Harde bessen (blauwe en rode bosbessen enz.)	2 weken
Brood, bagels, gebak	1-3 jaar
Noten en zaden	2 jaar
Koffiebonen	1 jaar
Gemalen koffie	5-6 maanden
Producten in poedervorm (suiker, meel, enz.)	1-2 jaar
Sauzen, soepen, stoofschotels, enz.	1-2 jaar
Ge droogde voedingswaren (bonen, pasta, rijst, granen, enz.)	1-2 jaar
Chips, koekjes, toastjes, enz.	3-6 weken

**BELANGRIJK:** Vacumeren is GEEN vervanging van koelen of vriezen. Alle beperkt houdbare voedingsmiddelen dienen na het vacumeren, bewaard te worden in koelkast of diepvries. Gebruik geen zakken opnieuw na het bewaren van rauw vlees, rauwe vis of vette voeding om ziekte te voorkomen. Gebruik geen zakken opnieuw die in de magnetron of bij het sudderen zijn gebruikt.

**Ontdooien en opwarmen van gevacumeerd voedsel**  
ETENSWAREN IN ZAKKEN KUNNEN WORDEN ONTDOOID, MAAR NIET OPNIEUW WORDEN OPGEWARMD IN DE MAGNETRON.

**Ontdooien:** ontdooi etenswaren in de koelkast of magnetron. Ontdooi etenswaren die kunnen bederven nooit op kamertemperatuur.

Snijd de hoek van de zak af voordat u de zak in de magnetron legt. We raden aan dat u de zak op een magnetronbestendig bord legt, zodat vloeistof er niet uit kan lekken. Zorg ervoor dat een maximumvermogen van 180 watt, een maximumtijd van 2 minuten en een maximumtemperatuur van 70°C (158°F) niet worden overschreden.

**Opwarmen:** om etenswaren opnieuw te verwarmen in een magnetron, haalt u ze uit de zak en legt u ze op een magnetronbestendig bord.

U kunt etenswaren ook opnieuw opwarmen in zakken van FoodSaver door ze in water te doen met een lage temperatuur van minder dan 75°C.

Waar te bewaren	Opmerkingen
Diepvries	Vries vochtige etenswaren eerst in alvorens deze vacuüm te verpakken. Leg anders een stuk gevouwen keukenrol tussen de inhoud en het uiteinde van de zak om vloeistof te absorberen. Laat 75 mm ruimte open boven het papier om de zak goed te kunnen sealen. <b>Opmerking:</b> Door het verwijderen van zuurstof kan rundvlees donkerder van kleur worden nadat dit vacuüm is verpakt. Dit is normaal en geeft niet aan dat het vlees is bedorven.
Diepvries	
Diepvries	
Koelkast	Houd kaas vers door deze na ieder gebruik opnieuw vacuüm te verpakken. Maak de zakken extra lang en laat een rand van 25 mm vrij voor iedere nieuwe seal die moet worden gemaakt. Zachte kaas mag NIET vacuüm worden verpakt.
Bewaar deze producten altijd in de diepvries.	Blancheer de groenten tot ze gekookt maar nog knapperig zijn voordat ze worden verpakt. Vries ze in alvorens ze te verpakken. Zorg dat de groenten niet aan elkaar zijn gevrozen wanneer ze worden verpakt. Verse champignons mogen NIET vacuüm worden verpakt.
Koelkast	Was en droog de bladgroente. Voor het beste resultaat dienen ze te worden verpakt in een FoodSaver-bus.
Diepvries	Zacht fruit moet eerst worden ingevrozen voordat het wordt verpakt. Zorg dat de vruchten niet aan elkaar zijn gevrozen wanneer ze worden verpakt.
Koelkast	
Koelkast	
Diepvries	U wordt aanbevolen een FoodSaver-bus te gebruiken om pletten te voorkomen. Vries de producten anders eerst volledig in.
Vorraadkast	Plaats een koffiefilter of stuk keukenrol op de zak of bus voordat het product vacuüm wordt verpakt, om te voorkomen dat kleine voedseldeeltjes in de vacuümpomp worden gezogen. U kunt deze producten ook in hun originele verpakking in een FoodSaver-zak doen.
Vorraadkast	
Vorraadkast	
Vorraadkast	
Diepvries	Vries deze etenswaren eerst volledig in. Neem de ingevrozen vloeistof uit de container en verpak deze vacuüm in een FoodSaver-zak.
Vorraadkast	
Vorraadkast	Gebruik een FoodSaver-bus voor etenswaren zoals toastjes, die makkelijk breken.

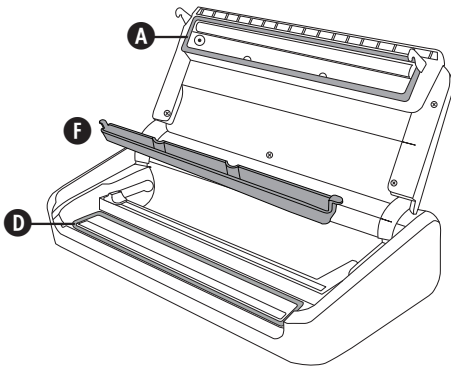
## Onderhoud en reiniging

**Dompel het apparaat, het stroomsnoer en de stekker nooit onder in water of een andere vloeistof. Neem altijd de stekker uit het stopcontact voordat het apparaat wordt gereinigd.**

Neem de behuizing van het apparaat af met een zachte, droge doek.

Verwijder en reinig het lekbakje **F** na ieder gebruik. Was dit af in warm water met afwasmiddel of zet dit in het bovenste rek van een vaatwasmachine. Droog het bakje goed voordat u dit weer in het apparaat aanbrengt.

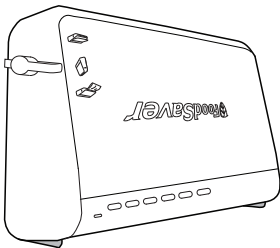
Controleer of de bovenste afdichting **A**, onderste afdichting **D** en het gebied om het lekbakje vrij zijn van voedselresten. Neem de afdichtingen indien nodig af met een doek die met warm water en afwasmiddel is bevochtigd. De afdichtingen kunnen voor reiniging worden verwijderd. Was ze af in warm water met afwasmiddel. Droog ze goed af en breng ze dan weer zorgvuldig aan.



U wordt aanbevolen de afdichtingen jaarlijks te vervangen om te zorgen dat uw FoodSaver-apparaat altijd efficiënt werkt. De vervangingen kunt u bestellen via [www.foodsaver europe.com](http://www.foodsaver europe.com).

## Opbergen

1. Sluit de klep en zet de vergrendeling **H** in de stand voor opslag (☺). Dit is voldoende om het deksel te vergrendelen, maar voorkomt dat de afdichtingen worden samengedrukt (dit kan de juiste werking van het apparaat beïnvloeden).
2. Til de voorkant van het apparaat omhoog en zet het rechtop om het apparaat op te bergen.



## Garantie

Bewaar uw reçu omdat u dit nodig hebt wanneer u een garantieclaim wilt indienen.

Het product wordt tot 2 jaar na de aanschafdatum gegarandeerd, zoals beschreven in dit document.

In het onwaarschijnlijke geval dat het apparaat tijdens de garantieperiode defect raakt door een ontwerp- of fabricagefout, brengt u het samen met uw reçu en een kopie van deze garantie terug naar de plaats van aanschaf.

Uw rechten en voordelen onder deze garantie staan los van uw wettelijke rechten, waarop deze garantie geen invloed heeft. Alleen Jarden Consumer Solutions (Europe) Limited ("JCS (Europe)") is gerechtigd deze voorwaarden te wijzigen.

JCS (Europe) verplicht zich ertoe binnen de garantieperiode het apparaat of ieder onderdeel van het apparaat dat niet juist werkt, gratis te repareren of vervangen op voorwaarde dat:

- U het probleem onmiddellijk meldt bij de plaats van aankoop of bij JCS (Europe), en dat
- het apparaat niet gewijzigd, beschadigd, onjuist gebruikt, misbruikt of gerepareerd is door een persoon die daartoe niet door JCS (Europe) is gemachtigd.

Defecten veroorzaakt door onjuist gebruik, beschadiging, misbruik, gebruik met een onjuiste netspanning, natuurrampen, gebeurtenissen waarop JCS (Europe) geen invloed heeft, reparatie of wijziging door een persoon die daartoe niet door JCS (Europe) is gemachtigd of het niet naleven van de handleiding, worden niet door deze garantie gedekt. Verder wordt gewone slijtage, met inbegrip van maar niet beperkt tot geringe verkleuring en krassen, niet door deze garantie gedekt.

De rechten onder deze garantie gelden alleen voor de oorspronkelijke aankoper en zijn niet van toepassing op commercieel of gemeenschappelijk gebruik.

Als u bij uw apparaat een landspecifieke garantie hebt ontvangen, raadpleegt u de bepalingen van die landspecifieke garantie in plaats van deze garantie of neemt u voor meer informatie contact op met uw plaatselijke gemachtigde dealer.

Elektrische afvalproducten mogen niet samen met huishoudelijk afval worden weggeworpen. Recycleer deze producten op de voorgeschreven wijze. Stuur ons een e-mail op [enquiriesEurope@jardencs.com](mailto:enquiriesEurope@jardencs.com) voor verdere informatie over recycling en de AEEArichtlijn.

Jarden Consumer Solutions (Europe) Limited  
5400 Lakeside  
Cheadle Royal Business Park  
Cheadle  
SK8 3GQ  
United Kingdom



# Problemen oplossen

Probleem	Oplossing
Het lampje Sealen knippert tijdens het sealen.	Dit gebeurt bij zeer intensief gebruik om oververhitting te voorkomen. In dit geval moet u het apparaat 20 minuten laten afkoelen. Wacht bij gebruik van het apparaat altijd 20 seconden voordat u het volgende item gaat sealen.
De pomp werkt meer dan 2 minuten zonder lucht te verwijderen.	Controleer of het open uiteinde van de zak in het lekbakje is ingevoerd, bij de onderste afdichting. Controleer of beide afdichtingen goed zijn aangebracht en niet zijn beschadigd. Controleer of ten minste één kant van de zak is geseald. Open het apparaat en controleer of er zich geen vreemde voorwerpen, vuil of resten op de afdichtingen boven en onder bevinden. Controleer of er voldoende ruimte is boven aan de zak is (75 mm), zodat deze in het lekbakje past wanneer het deksel vergrendeld is. Zorg dat de slang van het accessoire niet is aangesloten. Controleer of de klep goed is gesloten met de vergrendeling in de gesloten stand.
De zak wordt niet goed geseald.	Er is vocht of vet in het deel van de zak dat wordt geseald. Gebruik schoon, droog papier van een keukenrol om overmatig vocht te verwijderen. De zak bevat te veel vloeistof. Vries de inhoud van de zak eerst in voordat het product vacuüm wordt verpakt. Er loopt een vouw langs de sealrand. Trek de zak voorzichtig glad voordat u deze in de lekbak invoert en blijf de zak vasthouden totdat de vacuümpomp begint te werken. Als u dit al heeft gedaan en de zak kan nog steeds niet worden geseald, seal deze dan nog een keer vlak boven de eerste sealrand..
Er gebeurt niets als de klep is gesloten en de knop voor vacuüm en sealen of de sealknop wordt ingedrukt.	Controleer of de klep goed is gesloten met de vergrendeling in de gesloten stand.
Het aan/uit-lampje is uitgegaan toen de klep werd gesloten en ook de vergrendeling is gesloten.	Als het apparaat gedurende 12 minuten niet wordt gebruikt, wordt de Standby-modus geactiveerd en gaan alle lampjes uit. Druk op de betreffende knop (bijv. Vacumeren of Sealen) om de gewenste modus weer te activeren.

Denna apparat kan användas av barn från 8 års ålder och av personer med nedsatt fysisk, sensorisk eller mental kapacitet eller brist på erfarenhet och kunskap om de har fått handledning eller anvisningar om hur apparaten används på ett säkert sätt och förstår riskerna som är involverade. Barn får inte leka med denna apparat. Rengöring och användarunderhåll ska inte utföras av barn utan handledning.

Om nätsladden skadas måste den bytas ut av tillverkaren, dennes serviceombud eller en person med liknande kvalifikationer för att undvika risker.

- Använd alltid apparaten på ett stabilt, säkert, torrt och jämnt underlag.
- **FÖRSIKTIGHET: FÖRSEGLAREN ÄR INTE AVSEDD FÖR KOMMERSIELL ANVÄNDNING.** Använd aldrig denna apparat till någonting annat än det som den är avsedd för. Denna apparat är endast avsedd för hushållsanvändning. Apparaten får inte användas utomhus.
- Doppa aldrig någon del av apparaten eller nätsladden och kontakten i vatten eller någon annan vätska.
- Använd inte apparaten om den har blivit tappad eller om det finns synliga tecken på skador.
- Se till att apparaten är avstängd och att sladden är utdragen ur eluttaget efter användning och före rengöring.
- Dra ut elsladden ur vägguttaget för att koppla från apparaten. Dra inte i själva elsladden.
- Använd inte en skarvsladd med apparaten.
- Använd endast tillsatser eller tillbehör som har rekommenderats av tillverkaren.
- När du återuppvärmer mat i FoodSaver-påsar måste du lägga dem i vatten med sjudtemperatur under 75°C (170°F).
- **MAT SOM ÄR FÖRPACKAD I PÅSAR KAN TINAS UPP MEN INTE ÅTERUPPVARMAS I MIKROVÅGSUGN.** Vid upptining av mat i mikrovågsugn i FoodSavers påsar ska du se till att inte överstiga en maxeffekt på 180 watt, en maxtid på 2 minuter eller en maxtemperatur på 70 °C (158 °F).

### SPARA DESSA ANVISNINGAR

### För vakuumpförpackning?

Exponering till luften får livsmedel att förlora näring och smak samt orsakar frysskador och gör det möjligt för många bakterier, mögel och jäst att växa. FoodSaver vakuumpförpackningssystem avlägsnar luften och innesluter smak och kvalitet. FoodSaver påsar och behållare gör att du kan utöka dina alternativ ger fördelarna med en vetenskapligt dokumenterad livsmedelsförvaringsmetod som håller livsmedel färska upp till fem gånger längre.

### FoodSaver system spar tid och pengar

- **Spendera mindre pengar.** Med FoodSaver system, kan du bulkhandla eller köpa på rea och vakuumpförpacka dina livsmedel i önskade portionsstorlekar utan att kasta bort några livsmedel.
- **Spara mer tid.** Laga till veckans måltider och spar dem i FoodSaver påsar.
- **Marinera på några minuter.** Vakuumpförpackning öppnar porerna i livsmedel så du kan få en fantastisk marinerad smak på bara 20 minuter istället på över natten.
- **Gör det lätt att ha gäster.** Gör din signaturrätt och helgmaten i förväg så du kan tillbringa mer tid med dina gäster.
- **Njut av säsongsmat eller specialrätter.** Förvara ömtåliga varor eller varor som du använder sällan längre.
- **Kontrollera portioner vid bantning.** Vakuumpförpacka portioner av rätt storlek och skriv antal kalorier och/eller gram fett på påsen.
- **Skydda artiklar som inte är livsmedel.** Förvara camping- och båtutrustning torrt och organiserad för utflykter. Hindrar silver från att missfärgas genom att minimera exponering till luften.

## FoodSaver-tillbehör

Få ut så mycket som möjligt av din FoodSaver apparat med FoodSaver påsar, burkar, och tillbehör som är lätta att använda.

### FoodSaver påsar och rullar

Utformningen av FoodSaver påsar och rullar uppvisar speciella kanaler för en effektiv och fullständig borttagning av luft. Konstruktion med många lager på varandra gör dem till en särskilt effektiv barriär mot syre och fukt, och förhindrar därmed fryssbränna. FoodSaver påsar och rullar kommer i många olika storlekar.

### FoodSaver vakuumpförpackningsbehållare

FoodSaver behållarna är enkla att använda och perfekta för förpackning av ömtåliga artiklar som muffins och andra bakverk, vätskor och torra varor.

### FoodSaver Bottle Stopper

Använd FoodSaver flaskförslutare Bottle Stoppers för att vakuumpförsegla vin, icke-kolsyrade vätskor och oljor. Detta kommer att förlänga livslängden på vätskan och bevara smaken. Undvik att använda flaskförslutaren på plastflaskor.

### FoodSaver-snabbmarinerare

Snabbmarineraren gör maten smakrik på bara några minuter istället för timmar med hjälp av vakuumpkraft som gör att marinaden tränger djupt in i livsmedlet.

### Beställning

Om du vill beställa FoodSaver-påsar, -rullar och -tillbehör går du till [www.foodsavereurope.com](http://www.foodsavereurope.com) och väljer din region.

## Delar (Se bild 1)

- |                                |  |
|--------------------------------|--|
| <b>A</b> Övre packning         | <b>L</b> Hastighetsknapp                             |
| <b>B</b> Rullskärare           | <b>M</b> Hastighetslampor (långsam/normal/<br>snabb) |
| <b>C</b> Rullskärarstäng       | <b>N</b> Behållar-/tillbehörsknapp                   |
| <b>D</b> Nedre packning        | <b>O</b> Knapp för livsmedelstyp                     |
| <b>E</b> Förslutningsremsa     | <b>P</b> Lampa för torra livsmedel                   |
| <b>F</b> Löstagbar droppbricka | <b>Q</b> Lampa för fuktiga livsmedel                 |
| <b>G</b> Rullförvaring         | <b>R</b> Pulsvakuumknapp                             |
| <b>H</b> Spärr                 | <b>S</b> Snabbförslutningsknapp                      |
| <b>I</b> Kontrollpanel         | <b>T</b> Vakuum- och förslutningsknapp               |
| <b>J</b> Tillbehörspört        | <b>U</b> Strömlampa                                  |
| <b>K</b> Tillbehörssläng       |  |

## Skapa en påse från en FoodSaver-rulle

Du kan skapa dina egna påsar i valfri storlek från en FoodSaver-rulle. Se bild 2.

1. Anslut din vakuumpförelare till ett eluttag. För spärren (**H**) till det öppna läget (☞) och öppna locket. Om du inte redan har gjort det, placera FoodSaver-rullen i förvaringsområdet (**G**), lyft upp rullskärarstängningen (**C**) och mata in rullens ände under stängningen. Dra ut rullens ände tills cirka 10 mm av rullen överlappar förseglingsremsan (**E**).
2. Stäng locket och för spärren (**H**) till det stängda läget (☞). Tryck på snabbförseglingsknappen (**S**). Öppna locket när förslutningslampan släcks. Rullens ände är nu förseglad.
3. Dra ut rullen till den längd som krävs för produkten som ska förpackas. Läggtill ytterligare 75 mm för förseglingen och skjut sedan rullskäraren (**B**) över för att skära av rullen.

Du kan sedan börja använda vakuumpförelaren (se *Använda din vakuumpförelare*).

## Använda din vakuumpförelare

Se bild 3:

1. Placera maten som du vill förpacka i påsen. Du kan använda en färdig FoodSaver-påse eller skapa din egen från en FoodSaver-rulle.
2. Placera påsens öppna ände i droppbrickans (**F**) fack.
3. Stäng locket och för spärren (**H**) till det stängda läget (☞).
4. Tryck vid behov på hastighetsknappen (**L**) för att välja snabb, normal eller långsam hastighet. Välj långsam för delikata livsmedel, normal för påsar och behållare av genomsnittlig storlek samt alla tillbehör, och snabb för större påsar och behållare.
5. Om du förpackar livsmedel som är fuktiga eller är mycket saftiga trycker du en gång på knappen för livsmedelstyp (**O**) (lampan för fuktiga livsmedel (**Q**) tänds). För torra livsmedel kontrollerar du att lampan för torra livsmedel P förblir tänd (standardinställning).

6. Tryck på vakuum- och förslutningsknappen (**T**). FoodSaver-apparaten börjar extrahera luft från påsen. När vakuumstatuslampan har släckts påbörjas förslutningen av påsen (statuslampan för förslutning tänds).
7. Förfarandet är klart när statuslampan för förslutning släcks.

### Förseglaren påse utan att avlägsna luft

För att försluta en påse utan att extrahera luften från den trycker du på snabbförslutningsknappen (**S**) (förfarandet är klart när statuslampan för förslutning släcks). Du kan förseglaren den typ av påsar som används för förpackning av snacks som potatischips, nachos osv.

### Använda pulsvakuumknappen

Vissa livsmedel som bakverk, bröd, kex osv. kan krossas när luften extraheras. För att förhindra detta använder du pulsvakuumknappen (**R**) enligt följande:

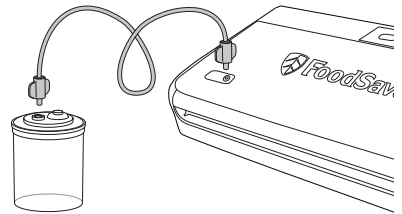
1. Följ steg 1, 2, 3, 4 och 5 i avsnittet *Använda din vakuumpförelare*.
2. Tryck på pulsvakuumknappen (**R**) och håll den intryckt. Vakuumpumpen arbetar så länge som du håller knappen intryckt. Släpp knappen innan något krossas. Då upphör omedelbart utsgningen av luft.
3. Tryck omedelbart på snabbförslutningsknappen (**S**) efter att luften extraherats. Statuslampan för förslutning tänds. Förfarandet är klart när statuslampan för förslutning släcks.

**OBS!** Om vakuumpumpen stannar när du håller pulsvakuumknappen intryckt går det inte att suga ut mer luft med vakuumfunktionen.

### Använda FoodSaver-tillbehör

1. Anslut ena änden av tillbehörsslängen (**K**) till tillbehörsporten (**J**) på din FoodSaver. Anslut slangens andra ände till porten på tillbehöret och se till att den sitter fast ordentligt. Följ eventuella specialinstruktioner som medföljer FoodSaver-tillbehöret.
2. Stäng locket och för spärren (**H**) till det stängda läget (☞).
3. Tryck på behållar-/tillbehörsknappen (**N**). Förfarandet är klart när statuslampan släcks.

**OBS!** Hur lång tid som krävs för att extrahera all luft från tillbehöret beror på tillbehörets storlek.





# Förvaringsguide, tips och trick

## Vakuumförpackning och livsmedelssäkerhet

Vakuumförpackning förlänger hållbarheten på livsmedel genom att avlägsna den mesta luften från den förseglade behållaren, och därmed reducera oxidation, vilket påverkar näringsvärde, smak och helhetskvalitet. Att avlägsna luften kan också förhindra växt av mikroorganismer, vilket kan orsaka problem under vissa förhållanden.

Förvara livsmedel på ett säkert sätt; det är viktigt att du gör det vid låga temperaturer. Växten av mikroorganismer minskar avsevärt vid en temperatur på 4°C eller lägre.

Frysning vid -17°C tar inte kål på mikroorganismer, men hindrar dem från att växa. För långvarig förvaring, frys alltid dagligvaror som har vakuumförpackats och förvara dem i kylskåp när de har tinats.

Det är viktigt att vara medveten om att vakuumförpackning INTE är en ersättning för en konservering och att den inte kan vända nedbrytning av livsmedel. Den kan bara sakta ner förändringar i kvaliteten. Det är svårt att förutsäga hur länge livsmedel kan behålla bästa smak, utseende eller textur eftersom det beror på livsmedlets ålder och tillstånd den dagen det vakuumförpackades.

Livsmedel	Förvaringstid
Nötkött, griskött, lamm, fågel	2–3 år
Malet kött	1 år
Fisk	2 år
Hårda ostar (cheddar, parmesan, edam, gouda osv.)	4–8 månader
Sparris, broccoli, blomkål, morötter, kål, brysselkål, brytböner, ärter, majs osv.	2–3 år
Sallad, spenat osv.	2 veckor
Aprikoser, plommon, persikor, nektariner osv.	1–3 år
Mjuka bär (hallon, björnbär, jordgubbar osv.)	1 vecka
Hårda bär (blåbär, tranbär osv.)	2 veckor
Bröd, bagels, bakverk	1–3 år
Nötter och frön	2 år
Kaffeböner	1 år
Malet kaffe	5–6 månader
Varor i pulverform (socker, mjöl osv.)	1–2 år
Såser, soppor, grytor osv.	1–2 år
Torkade varor (böner, pasta, ris, gryn osv.)	1–2 år
Potatischips, kex, skorpor osv.	3–6 veckor

**VIKTIGT:** Vakuumpförpackning är INTE en ersättning för förvaring i kylskåp eller frysning. Alla ömtåliga livsmedel som kräver förvaring i kylskåp måste ändå förvaras i kylskåp eller frysas efter vakuumpförpackning. För att undvika eventuell sjukdom, återanvänd inte påsar efter lagring av rått kött, rå fisk eller fet mat. Återanvänd inte påsar som har varit i mikrovågsugnen eller har sjudits.

### Upptining och återuppvärmning av vakuumpförpackade livsmedel

MAT SOM ÄR FÖRPACKAD I PÅSAR KAN TINAS UPP MEN INTE ÅTERUPPVÄRMAS I MIKROVÅGSUGN.

**Upptining** - tina alltid upp maten antingen i ett kylskåp eller i en mikrovågsugn - tina inte upp färskvaror i rumstemperatur. Se till att du klipper hål i ett hörn på påsen innan du lägger in den i mikrovågsugnen. Det är rekommendabelt att lägga påsen på en mikrosäker tallrik för att undvika att vätska läcker ut ur påsen. Se till att inte överstiga en maxeffekt på 180 watt, en maxtid på 2 minuter eller en maxtemperatur på 70°C (158°F).

**Återuppvärmning** - för att återuppvärma mat i en mikrovågsugn tar du ut maten ur påsen och lägger den på en mikrosäker tallrik.

Du kan också återuppvärma maten i FoodSaver-påsar genom att lägga dem i vatten med sjudtemperatur under 75°C (170°F).

Förvaringsplats	Anmärkningar
Frys	Förfrys mat som innehåller mycket vätska före vakuumpförpackningen. Alternativt kan du lägga en hopvikt pappershandduk mellan maten och påsens ände för att suga upp överflödigt vätska. Kom ihåg att lämna 75 mm tomt efter pappershandduken för förseglingen. <b>Obs!</b> Nötkött kan mörkna under vakuumpförpackningen på grund av avsaknaden av syre. Det här är inte ett tecken på förruttnelse.
Frys	
Frys	
Kylskåp	Vakuumpförpacka ost efter varje användning för att behålla färskheten. Gör påsarna extra långa för att lämna plats för 25 mm för varje ny försegling. Vakuumpförpacka ALDRIG mjuka ostar.
Förvara alltid i frysen.	Blanchera grönsakerna tills de är kokta men fortfarande krispiga före förpackningen. Frys före förpackningen. Separera grönsakerna under frysningen för att undvika att de klumpar ihop sig när de förpackas. Vakuumpförpacka ALDRIG färska svampar.
Kylskåp	Skölj och torka. Förpacka med en FoodSaver-behållare för bästa resultat.
Frys	Förfrys mjuka frukter och bär före förpackningen. Separera frukterna under frysningen för att undvika att de klumpar ihop sig när de förpackas.
Kylskåp	
Kylskåp	
Frys	Vi rekommenderar en FoodSaver-behållare för att undvika krossning. Alternativt kan du förfrysa produkterna tills de är hårda.
Skafferi	Placera ett kaffefilter eller en pappershandduk överst i påsen eller behållaren före vakuumpförpackningen för att förhindra att mat dras in i vakuumpumpen. Du kan även placera maten i dess ursprungliga påse inuti en FoodSaver-påse.
Skafferi	
Skafferi	
Skafferi	
Frys	Förfrys i en lämplig behållare tills de är hårda. Ta bort frusen vätska och vakuumpförpacka i en FoodSaver-påse.
Skafferi	Förpacka kex och liknande som kan krossas med en FoodSaver-behållare för bästa resultat.
Skafferi	

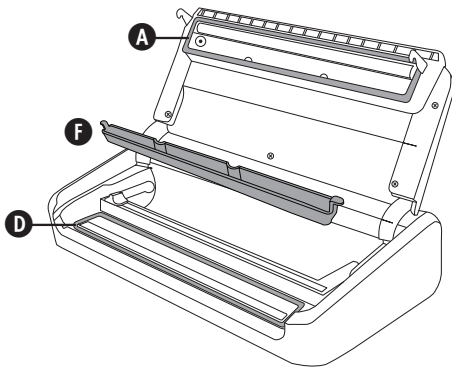
## Skötsel och rengöring

**Doppa aldrig enheten eller elsladden och kontakten i vatten eller någon annan vätska. Dra alltid ur enheten ur vägguttaget innan du rengör den.**

Torka av apparatens stomme med en mjuk, torr trasa.

Ta bort och töm droppbrickan (F) efter varje användning. Diska den i varmt vatten och diskmedel eller i den övre korgen i diskmaskinen. Torka noga innan du sätter den på plats igen.

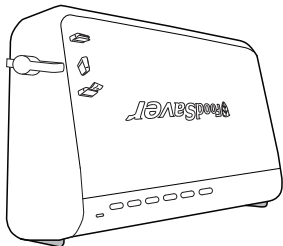
Kontrollera att den övre packningen (A), undre packningen (D) och området runt droppbrickan inte innehåller några matrester. Torka av packningarna med en trasa, varmt vatten och diskmedel vid behov. Packningarna kan tas bort för rengöring. Rengör dem med varmt vatten och diskmedel. Torka noga och sätt dem försiktigt på plats igen.



Vi rekommenderar att du byter ut packningarna varje år för att se till att din FoodSaver-apparat fungerar effektivt. Besök [www.foodsavereurope.com](http://www.foodsavereurope.com) för att beställa ersättningsdelar.

## Förvaring

1. Stäng locket och för spärren (H) till förvaringsläget (H). Det här är tillräckligt för att säkra locket men undviker att pressa ihop packningarna (som kan göra att enheten slutar fungera korrekt).
2. Höj upp framsidan av apparaten och ställ den i upprätt läge på lagringsfötterna.



## Garanti

Spara kvittot eftersom det krävs vid eventuellt ersättningskrav enligt denna garanti.

Den här produkten är garanterad i 2 år efter köpet så som beskrivs i detta dokument.

Under denna garantiperiod, vid den osannolika händelse att apparaten inte längre fungerar på grund av ett konstruktions- eller tillverkningsfel, tag tillbaka apparaten till inköpsstället tillsammans med ditt kvitto och en kopia av denna garanti.

Rättigheter och fördelar enligt denna garanti gäller utöver dina lagliga rättigheter, vilka inte påverkas av denna garanti. Endast Jarden Consumer Solutions (Europe) Limited ("JCS (Europe)") har rätten att ändra dessa villkor.

JCS (Europe) åtar sig att inom garantiperioden reparera eller byta ut apparaten, eventuella delar av apparaten som inte fungerar ordentligt, kostnadsfritt förutsatt att:

- Du omedelbart meddelar inköpsstället eller JCS (Europe) om problemet; och
- att apparaten inte har ändrats på något sätt eller utsatts för skada, används felaktigt, missbrukats, reparerats eller ändrats av någon person annan än en person som auktoriserats av JCS (Europe).

Fel som uppstår till följd av felaktig användning, skada, åverkan, användning med fel spänning, force majeure, händelser som JCS (Europe) inte har kontroll över, reparation eller ändring utförd av en person som inte är auktoriserad av JCS (Europe) eller underlåtenhet att följa bruksanvisningen omfattas inte av denna garanti.

Vidare, så omfattas inte normalt slitage inklusive, men ej begränsat till, smärre missfärgning och repor av den här garantin. Rättigheterna inom ramen för den här garantin gäller endast den som ursprungligen köpte apparaten och inbegriper inte kommersiellt eller kollektivt bruk.

Om din apparat har en garanti som är specifik för ditt land, se villkoren för denna i stället för den här garantin, eller kontakta din lokala, auktoriserade återförsäljare för mer information.

Kasserade elektriska produkter ska inte slängas tillsammans med hushållsavfall. Återvinning ska ske på avsedd plats. Kontakta oss per e-post på [enquiriesEurope@jardencs.com](mailto:enquiriesEurope@jardencs.com) för mer information om återvinning och om avfall som utgörs av eller innehåller elektriska eller elektroniska produkter.

Jarden Consumer Solutions (Europe) Limited  
5400 Lakeside  
Cheadle Royal Business Park  
Cheadle  
SK8 3GQ  
United Kingdom



# Felsökning

Problem	Lösning
Snabbförslutningslampan blinkar vid försök till förslutning.	Detta kan hända vid omfattande användning för att förhindra överhettning. Om det inträffar ska du låta apparaten svalna i 20 minuter. Under användning ska du alltid vänta i minst 20 sekunder innan du börjar att vakuumpacka en annan enhet.
Pumpen är i gång i mer än 2 minuter utan att någon luft avlägsnas.	Kontrollera att påsens öppna ände har infogats i droppbrickan innanför det nedre packningsområdet. Kontrollera att båda packningarna är korrekt monterade och hela. Kontrollera att minst en av påsens ändar är förseglad. Öppna enheten och kontrollera att det inte finns några främmande föremål, smuts eller skräp på den övre eller undre packningen. Kontrollera att det finns tillräckligt med plats (75 mm) överst i påsen så att den passar in i droppbrickan med locket stängt och låst. Kontrollera att tillbehörsslangen inte är fäst. Kontrollera att locket är helt stängt och att spärren står i det låsta läget.
Påsen förseglas inte ordentligt.	Det finns fukt eller fett i påsen vid förslutningspunkten. Torka bort all fukt med en ren och torr pappershandduk. Påsen innehåller för mycket vätska. Frys påsens innehåll före vakuumpackningen. Det finns ett veck på förslutningen. Sträck försiktigt ut påsen plant medan du för in den i droppbrickan, och fortsätt att hålla påsen så tills vakuumpumpen startar. Om detta redan har gjorts och påsen fortfarande inte kan förslutas kan du skapa en andra förslutning ovanpå den första.
Inget händer när locket stängs och vakuum- och förseglingsknappen eller förseglingsknappen trycks in.	Kontrollera att locket är helt stängt och att spärren står i det låsta läget.
Strömlampan släcks när locket är stängt och spärren är stängd.	Om apparaten inte aktiveras under 12 minuter går den in i vänteläge och alla indikatorlampor förblir släckta. Tryck på lämplig funktionsknapp för att återgå till önskat läge (t.ex. vakuum och förslutning).

## Tärkeitä varotoimia

Kahdeksan vuotta täyttäneet lapset, fyysisesti tai henkisesti vammaiset, aistivammaiset ja riittävää kokemusta tai tietämystä vailla olevat saavat käyttää laitetta, jos heitä on ohjattu tai opastettu laitteen turvallisessa käytössä ja jos he ymmärtävät sen käyttöön liittyvät riskit. Laitetta ei ole tarkoitettu lasten leikkikaluksi. Laitteen puhdistusta ja huoltoa ei saa jättää lapsen tehtäväksi ilman aikuisen valvontaa.

Jos laitteen virtajohto vaurioituu, se on turvallisuussyistä vaihdettava valmistajan, valtuutetun huoltoedustajan tai muun pätevän henkilön toimesta.

- Laitteen on käytön aikana oltava vakaalla, kuivalla ja tasaisella alustalla.
- HUOMIO: PAKKAUSLAITETTA EI OLE TARKOITETTU KAUPALLISEEN KÄYTTÖÖN.** Laitetta saa käyttää vain sen aiottuun käyttötarkoitukseen. Laitte on tarkoitettu vain kotitalouskäyttöön. Laitetta ei ole tarkoitettu ulkokäyttöön.
- Älä koskaan kasta laitetta tai sen virtajohtoa ja pistoketta veteen tai muuhun nesteeseen.
- Laitetta ei saa käyttää, jos se on päässyt putoamaan tai jos siinä näkyy vaurioita.
- Katkaise laitteesta käytön jälkeen virta ja irrota virtajohdon pistoke pistorasiasta ennen laitteen puhdistamista.
- Voit katkaista laitteen virran irrottamalla virtajohdon pistorasiasta. Älä irrota johtoa vetämällä siitä.
- Älä käytä laitteessa jatkojohtoa.
- Käytä ainoastaan valmistajan suosittelemia laitteita tai varusteita.
- Jos ruokaa lämmitetään FoodSaver-pussissa, se on laitettava alle 75 celsiusasteen lämpöiseen hiljaa kiehuvaan veteen.
- PUSSIN SISÄLTÄMÄ RUOKA VOIDAAN SULATTA, MUTTA SITÄ EI VOIDA LÄMMITTÄÄ UUELLEEN MIKROAALTOUUNISSA.** Kun sulatat ruokaa FoodSaver-pussissa mikroaaltouunissa, varmista, ettei ylitä 180 watin enimmäisteho (sulatusasetus), kahden minuutin enimmäisaikaa ja 70 °C:n enimmäislämpötilaa.

### SÄILYTÄ NÄMÄ OHJEET

## FoodSaver-järjestelmä

### Tyhjiöpakkauksen edut

Kosketus ilman kanssa heikentää ruoan ravintoarvoa ja makua, aiheuttaa pakastuspalamista ja tarjoaa kasvualustan monille bakteereille, homeelle ja hiivalle. FoodSaver-tyhjiöpakkauslaite poistaa ilman ja säilyttää ruoan maun ja laadun. Tarjolla on nyt runsas valikoima FoodSaver-pusseja ja -säilytyspurkkeja, joten voit hyödyntää tieteellisesti todistettua ruoansäilytystapaa, jonka avulla ruoka säilyy tuoreena jopa viisi kertaa tavallista pitempään.

### FoodSaver-laite säästää aikaa ja rahaa.

- Säästä rahaa.** FoodSaver-laitteen omistajana voit ostaa esimerkiksi tarjouksessa olevaa ruokaa suurissa määrissä ja tyhjiöpakata sen sopivissa annoksissa ruokaa haaskaamatta.
- Säästä aikaa.** Voit valmistaa aterioita ja säilöä ne FoodSaver-pusseihin myöhemmin viikolla nautittaviksi.
- Marinoi käden käänteessä.** Tyhjiöpakkauksen yhteydessä ruoan huokokset aukeavat, joten marinoitaessa aromit tarttuvat jopa 20 minuutissa sen sijaan, että ruokaa olisi marinoitava yli yön.
- Viihdytä vieraita.** Voit valmistaa erikoisuutesi etukäteen, joten vieraiden viihdyttämiseen jää enemmän aikaa.
- Nauti kausiluontoisista ruoista ja erikoisruoista.** Helposti plaauntuvat ja harvoin käytetyt ruokatarvikkeet säilyvät pitempään tuoreina.
- Säännöstele annoskokoa dieetin mukaan.** Voit tyhjiöpakata järkevän kokoisia annoksia ja kirjoittaa kalorien ja rasvan määrän pusseihin.
- Suojaa ei-ruokatarvikkeita.** Retkeily- ja veneilytarvikkeet on helppo pitää kuivina ja järjestyksessä seuraava reissua varten. Tyhjiöpakattuna kiillotetut hopeaesineet eivät pääse tummentumaan.

## FoodSaver Accessories

Helppokäyttöisten FoodSaver-pussien, -säilytyspurkkien ja -lisävarusteiden kanssa saat enemmän irti FoodSaver-tyhjiöpakkauslaitteesta.

### FoodSaver-pussit ja -rullat

FoodSaver-pusseissa ja -rullissa on erityiset urat, joiden avulla ilma poistuu tehokkaasti. Moninkertaisen rakenteensa ansiosta ne torjuvat hapen ja kosteuden äärimmäisen tehokkaasti estäen pakastuspalamisen. FoodSaver-pusseja ja -rullia on saatavana monessa eri koossa.

### FoodSaver-säilytyspurkit

FoodSaver-säilytyspurkkeihin on helppo tyhjiöpakata herkkiä elintarvikkeita, kuten muffineja tai muita leivonnaisia, nesteitä tai kuiva-aineita.

### FoodSaver-pullonkorkki

FoodSaver-pullonkorkkeja voidaan käyttää viinin, hiilihapottomien nesteiden ja öljyn tyhjiöpakkaukseen. Tämä pidentää nesteen käyttöikää ja säilyttää aromit tehokkaammin. Korkkeja ei ole tarkoitettu käytettäväksi muovipulloissa.

### FoodSaver-pikamarinoija

Pikamarinoija kyllästää ruoan maulla ja imeyttää marinadin ruokaan alipaineen avulla minuuteissa tuntien sijaan.

## Tilaaminen

Voit tilata FoodSaver-pusseja, rullia ja tarvikkeita valitsemalla verkko-osoitteesta [www.foodsaveruurope.com](http://www.foodsaveruurope.com) alueesi.

## Osat (Ks. kuva 1)

- |                                  |  |
|----------------------------------|--|
| <b>A</b> Ylätiiviste             | <b>L</b> Nopeuspainike                       |
| <b>B</b> Rullanleikkuri          | <b>M</b> Nopeusvalot (hidas/normaali/ nopea) |
| <b>C</b> Rullanleikkuripalkki    | <b>N</b> Rasia-/tarvikepainike               |
| <b>D</b> Alatiiviste             | <b>O</b> Ruokatyyppipainike                  |
| <b>E</b> Saumauskaistale         | <b>P</b> Kuivaruokavalo                      |
| <b>F</b> Irrotettava keruustasia | <b>Q</b> Kosteaa ruoka -valo                 |
| <b>G</b> Rullansäilytyslokero    | <b>R</b> Vaiheittainen tyhjiöinti -painike   |
| <b>H</b> Salpa                   | <b>S</b> Pikasaumauspainike                  |
| <b>I</b> Ohjauspaneeli           | <b>T</b> Tyhjiöinti ja saumaus -painike      |
| <b>J</b> Tarvikeliitäntä         | <b>U</b> Virran merkivalo                    |
| <b>K</b> Tarvikeletku            |  |

## Pussin valmistaminen FoodSaver-rullasta

FoodSaver-rullasta voit valmistaa haluamasi kokoisia pusseja. Ks. kuva 2.:

1. Liitä tyhjiöpakkauslaitte sähköverkon pistorasiaan. Siirrä salpa (**H**) auki-asentoon (↔) ja avaa kansi. Aseta FoodSaver-rulla säilytyslokeroon (**G**), nosta rullanleikkuspalkkia (**C**) ja syötä rullan pää palkin alle. Vedä rullan pää ulos, kunnes rullasta noin 10 mm on saumauskaistaleen (**E**) päällä.
2. Sulje kansi ja siirrä salpa (**H**) kiinni-asentoon (↔). Paina pikasaumauspainiketta (**S**). Kun saumausvalo sammuu, avaa kansi. Rullan pää on nyt saumattu.
3. Vedä rullaa ulos ja mittaa pakattavalle elintarvikkeelle tarvittava pituus. Vedä pussirullaa ulos ylimääräiset 75 mm, jotta pussi voidaan saumata, ja leikkaa pussi rullasta liu'uttamalla rullanleikkuria (**B**).

Tyhjiöpakkauslaitetta voidaan käyttää tämän jälkeen (katso *Tyhjiöpakkauslaitteen käyttäminen*).

## Tyhjiöpakkauslaitteen käyttäminen

Ks. kuva 3.:

1. Aseta pakattava elintarvike pussiin. Voit käyttää valmista FoodSaver-pussia tai valmistaa haluamasi kokoisia pusseja FoodSaver-rullasta.
2. Aseta pussin avoin pää keruustasian (**F**) aukkoon.
3. Sulje kansi ja siirrä salpa (**H**) kiinni-asentoon (↔).
4. Halutessasi valitse nopeusasetukseksi nopea, normaali tai hidas painamalla nopeuspainiketta (**L**). Valitse hidas herkille ruoka-aineille, normaali keskikokoisille pusseille, rasioille ja tarvikkeille sekä nopea suuremmille pusseille ja rasioille.

5. Jos pakkaat ruokia, jotka ovat kosteita tai hyvin mehukkaita, paina ruokatyyppipainiketta (**O**) kerran (kosteaa ruoka -valo (**Q**) syttyy). Varmista kuivaruoissa, että kuivaruokavalo (**P**) pysyy päällä (tämä on oletus).
6. Paina tyhjiöinti ja saumaus -painiketta (**T**). FoodSaver-laite alkaa poistaa ilmaa pussista. Kun tyhjiöinnin edistymisvalo on sammunut, pussin saumaus alkaa (saumauksen edistymisvalo syttyy).
7. Prosessi on valmis, kun saumauksen edistymisvalo sammuu.

### Pussin saamaaminen ilmaa poistamatta

Saamaa pussi tyhjentämättä ilmaa siitä painamalla pikasaumauspainiketta (**S**) (prosessi on valmis, kun saumausvalo sammuu). Voit saumata nastostelavien, kuten perunalastujen, tortillalastujen yms. pakkaamiseen käytettäviä pusseja.

### Vaiheittainen tyhjiöinti -painikkeen käyttö

Jotkin elintarvikkeet, kuten pasteijat, leipä, keksit yms. saattavat murentua tyhjiöinnissä. Voit ehkäistä tämän käyttämällä vaiheittainen tyhjiöinti -painiketta (**R**) seuraavasti:

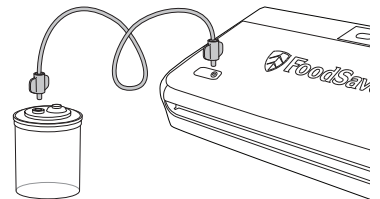
1. Toista tyhjiöpakkauslaitteen käyttämisen vaiheet 1, 2, 3, 4 ja 5.
2. Paina vaiheittainen tyhjiöinti -painiketta (**R**) ja pidä sitä painettuna tarpeen mukaan. Tyhjiöpumppu käy niin kauan kuin painiketta pidetään painettuna. Vapauta painike, ennen kuin murentumista tapahtuu. Toiminto pysäyttää ilmanpoiston välittömästi.
3. Paina pikasaumauspainiketta (**S**) heti tyhjiöinnin jälkeen. Saumauksen edistymisvalo syttyy. Prosessi on valmis, kun saumauksen edistymisvalo sammuu.

**HUOMAUTUS:** Jos tyhjiöpumpun toiminta pysähtyy, kun vaiheittainen tyhjiöinti -painiketta pidetään painettuna, enimmäistyhjiö on saavutettu eikä enempää ilmaa voida poistaa.

### FoodSaver-tarvikkeiden käyttäminen

1. Aseta yksi tarvikeletkun (**K**) pää tarvikeliitäntään (**J**) FoodSaver-laitteessa. Aseta letkun toinen pää tarvikkeessa olevaan liitäntään ja varmista, että kytkentä on asianmukainen. Noudata FoodSaver-tarvikkeen mukana tulevia ohjeita.
2. Sulje kansi ja siirrä salpa (**H**) kiinni-asentoon (↔).
3. Paina rasia-/tarvikepainiketta (**N**). Prosessi on valmis, kun edistymisvalo sammuu.

**HUOMAUTUS:** Kaiken ilman poistoon tarvikkeesta tarvittavan ajan pituus riippuu tarvikkeen koosta.



# Säilytysohjeita ja -vinkkejä

## Tyhjiöpakkaukset ja elintarviketurvallisuus

Tyhjiöpakkauksen prosessi pidentää elintarvikkeiden säilyvyyttä, koska lähes kaiken ilman poistaminen tiivistä säiliöstä vähentää hapettumista, mikä puolestaan parantaa elintarvikkeiden ravintoarvoa, makua ja yleistä laatua. Ilman poistaminen voi myös estää tietyissä olosuhteissa ongelmallisten mikro-organismien kasvun.

Elintarvikkeiden turvallinen säilytys edellyttää alhaista lämpötilaa. Mikro-organismien kasvumahdollisuudet heikkenevät tuntuvasti, jos lämpötila on enintään 4 °C.

Pakastaminen -17 celsiusasteen lämpötilassa ei tapa mikro-organismeja, mutta se estää niitä kasvamasta. Jos tyhjiöpakattuja pilaantuvia elintarvikkeita aiotaan säilyttää pitkään, ne on pakastettava. Sulattamisen jälkeen niitä on säilytettävä jääkaapissa.

On tärkeää muistaa, että tyhjiöpakkauksella EI saavuteta samoja tuloksia kuin purkituksella ja että sillä ei voida pysäyttää elintarvikkeiden pilaantumista. Tyhjiöpakkauksella voidaan ainoastaan hidastaa laadun heikkenemistä. On vaikeaa arvioida, kuinka pitkään elintarvikkeet säilyttävät hyvän maun, ulkonäön tai koostumuksen, koska tähän vaikuttavat elintarvikkeiden ikä ja kunto tyhjiöpakkaushetkellä.

Elintarvike	Säilyvyys
Naudanliha, sianliha, lampaanliha, linnunliha	2–3 vuotta
Jauheliha	1 vuosi
Kala	2 vuotta
Kovat juustot (cheddar, parmesaani, edam, gouda yms.)	4–8 vuotta
Parsa, parsakaali, kukkakaali, porkkanaa, kaali, ruusukaali, vihreä papu, herne, maissin yms.	2–3 vuotta
Salaatti, pinaatti yms.	2 viikkoa
Aprikoosi, luumu, persikka, nektariini yms.	1–3 vuotta
Pehmeät marjat (vadelma, karhunvatukka, mansikka yms.)	1 viikko
Kovat marjat (mustikka, karpalo yms.)	2 viikkoa
Leipä, rinkeli, pasteija	1–3 vuotta
Pähkinät ja siemenet	2 vuotta
Kahvipavut	1 vuosi
Jauhettu kahvi	5–6 kuukautta
Jauhemaiset elintarvikkeet (sokeri, jauho yms.)	1–2 vuotta
Kastike, keitto, muhennos yms.	1–2 vuotta
Kuivatut elintarvikkeet (pavut, pasta, riisi, vilja yms.)	1–2 vuotta
Perunalastut, keksit, voileipäkeksit yms.	3–6 viikkoa

**TÄRKEÄÄ:** Tyhjiöpakkaus EI ole vaihtoehto jääkaapissa tai pakastimessa säilyttämiseksi. Pilaantuvia elintarvikkeita, jotka edellyttävät jääkaapissa säilyttämistä, on säilytettävä jääkaapissa tai pakastamisessa, vaikka ne olisi tyhjiöpakattu. Tautien välttämiseksi pusseja ei saa käyttää uudelleen sen jälkeen, kun niissä on säilytetty raakaa lihaa tai kalaa tai rasvaisia ruokia. Mikroaaltouunissa käytettyjä tai kiehutettuja pusseja ei myöskään saa käyttää uudelleen.

### Tyhjiöpakattujen elintarvikkeiden sulattaminen ja lämmittäminen

PUSSISSA OLEVAN RUOAN VOI SULATTAA MIKROAALTOUUNISSA, MUTTA EI LÄMMITTÄÄ UUELLEEN.

**Sulattaminen:** Elintarvikkeet on sulatettava jääkaapissa tai mikroaaltouunissa – pilaantuvia elintarvikkeita ei saa sulattaa huoneenlämmössä. Muista leikata kulma pussista ennen mikroaaltouuniin laittamista. Pussi kannattaa laittaa mikroaaltouuniin kestäväään astiaan, jotta uuniin ei pääsisi vuotamaan nestettä.

**Lämmitys:** Jos olet lämmittämässä elintarvikkeita mikroaaltouunissa, poista ne pussista mikroaaltouuniin kestäväään astiaan.

Voit myös lämmittää elintarvikkeita FoodSaver-pussissa asettamalla pussin alle 75 celsiusasteen lämpöiseen hiljaa kiehuvaan veteen. Muista varmistaa, että ruoka on lämmennyt läpeensä.

Säilytyspaikka	Säilytysohjeet
Pakastin	Esiapakasta kosteat elintarvikkeet ennen tyhjiöpakkaamista tai aseta taitettu talouspaperin pala ruoan ja pussin pään väliin imemään pois ylimääräiset nesteet. Muista jättää talouspaperin palan jälkeen 75 mm tilaa saumaa varten. <b>Huomaa:</b> Naudanliha voi näyttää tummempalla tyhjiöpakauksen jälkeen, mikä johtuu hapen poistamisesta. Tämä ei ole merkki pilaantumisesta.
Pakastin	
Pakastin	
Jääkaappi	Pidä juusto tuoreena tyhjiöpakkaamalla se aina käytön jälkeen. Tee pakkauksista tavanomaista pidempiä, jotta jokaista uutta saumaa varten on käytettävissä 25 mm. ÄLÄ KOSKAAN tyhjiöpakkaa pehmeitä juustoja.
Säilytä aina pakastimessa.	Kiehauta vihanneksia ennen pakkaamista siten, että ne kypsyvät mutta pysyvät edelleen rapeina. Pakasta ennen pakkaamista. Erotä kasvikset toisistaan pakastamisen aikana, jotteivät ne tartu toisiinsa, kun ne on pakattu. ÄLÄ KOSKAAN tyhjiöpakkaa tuoreita sieniä.
Jääkaappi	Pese ja kuivaa. Parhaan tuloksen saat pakkaamalla salaatin FoodSaver -rasiaan.
Pakastin	Esiapakasta pehmeät hedelmät ja marjat ennen pakkaamista. Erotä hedelmät toisistaan pakastamisen aikana, jotteivät ne tartu toisiinsa, kun ne on pakattu.
Jääkaappi	
Jääkaappi	
Pakastin	Leivonnaisen murentumisen ehkäisemiseksi se kannattaa pakata FoodSaver -rasiaan. Voit myös esipakastaa leivonnaista, kunnes se on kova.
Ruokakomero	Voit estää ruoanmurujen joutumisen tyhjiöpumppuun asettamalla suodatinpussin tai talouspaperin palan pussin tai rasian päälle ennen tyhjiöpakkaamista. Voit myös asettaa ruoan alkuperäisessä pussissaan FoodSaver-pussiin.
Ruokakomero	
Ruokakomero	
Ruokakomero	
Pakastin	Esiapakasta ruokaa sopivassa säilössä, kunnes ruoka on jähmettynyt. Irrota jäätynyt neste ja tyhjiöpakkaa FoodSaver-pussiin.
Ruokakomero	Parhaan tuloksen saat panemalla murskautuvat tuotteet, kuten keksit FoodSaver-rasiaan.
Ruokakomero	



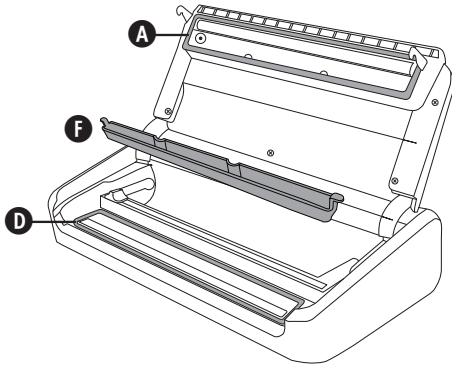
# Hoito ja puhdistaminen

**Älä koskaan kasta laitetta, sen virtajohtoa äläkä pistoketta veteen tai muuhun nesteeseen. Irrota laitteen pistoke pistorasiasta aina ennen puhdistusta.**

Pyyhi laitteen runko pehmeällä kuivalla rätillä.

Irrota ja tyhjennä keruustasia (F) jokaisen käyttökerran jälkeen. Pese se lämpimässä pesuainevedessä tai astianpesukoneen ylätelineessä. Kuivaa huolellisesti ennen paikoilleen asettamista.

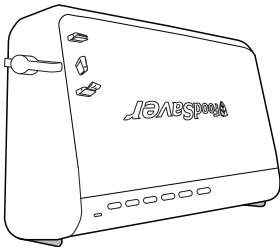
Tarkista ylä- (A) ja alatiiviste (D) ja keruustasian ympäriltä, ettei niissä ole ruokajäämiä. Pyyhi tiivisteet tarvittaessa lämpimällä pesuaineedessä kastetulla rätillä. Tiivisteet voidaan irrottaa puhdistusta varten. Puhdista ne lämpimällä pesuainevedellä. Kuivaa huolellisesti ja aseta takaisin paikoilleen.



Jotta FoodSaver-laite toimisi tehokkaasti, suosittelemme, että tiivisteet vaihdetaan vuosittain. Vaihtotiivisteitä voi tilata osoitteesta [www.foodsavereurope.com](http://www.foodsavereurope.com).

# Säilytys

1. Sulje kansi ja siirrä salpa (H) säilytysasentoon (I). Näin kansi pysyy paikallaan muttei purista tiivisteitä (mikä voi aiheuttaa laitevian).
2. Nosta laitteen etuosa ja aseta se säilytysjalalle yläasentoon.



# Takuu

Säilytä tämä kuitti, sillä se on edellytys tämän takuun alaisille reklamaatioille.

Tälle laitteelle myönnetään 2 vuoden takuu ostopäivästä tässä asiakirjassa kuvatulla tavalla.

On epätodennäköistä, että laite lakkaa toimimasta suunnittelu- tai valmistusvirheen takia, mutta jos niin käy, vie laite takaisin ostopaikkaan ja ota mukaan kassakuitti ja tämä takuu.

Tämän takuun alaiset oikeudet ja edut ovat lisä lakisääteisiin oikeuksiin, joihin tämä takuu ei vaikuta.

Ainoastaan Jarden Consumer Solutions (Europe) Limited ("JCS (Europe)") saa muuttaa näitä ehtoja. JCS (Europe) korjaa tai vaihtaa takuuajana veloituksetta laitteen tai laitteen minkä tahansa osan, joka ei toimi oikein, mikäli:

- ongelmasta ilmoitetaan välittömästi ostopaikkaan tai JCS (Europe) -yhtiölle
- laitetta ei ole muutettu millään tavalla eikä se ole vaurioitunut, sitä ei ole käytetty virheellisesti tai väärin eikä sitä ole korjannut tai muutanut muu kuin JCS (Europe) -yhtiön valtuuttama henkilö.

Tämä takuu ei kata vikoja, jotka aiheutuvat virheellisestä käytöstä, vaurioista, väärinkäytöstä, käytöstä väärällä jännitteellä, luonnonmullistuksista, tapahtumista, joihin JCS (Europe) ei voi vaikuttaa, muiden kuin JCS (Europe) -yhtiön valtuuttamien henkilöiden tekemästä korjauksesta tai muutoksesta tai siitä, että käyttöohjeita ei ole noudatettu. Lisäksi tämä takuu ei kata normaalia kulumista, kuten pieniä värimuutoksia ja naarmuja.

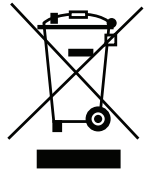
Tämän takuun alaiset oikeudet koskevat vain alkuperäistä ostajaa, eivätkä oikeudet koske kaupallista käyttöä tai yhteisökäyttöä.

Jos laitteen mukana tuli maakohtainen takuulappu, kyseisen takuun ehdot ovat voimassa tämän takuun sijaan. Voit myös pyytää lisätietoja paikalliselta jälleenmyyjältä.

Käytöstä poistettavia elektroniikkalaitteita ei saa hävittää kotitalousjätteen mukana. Kierrätä mahdollisuuksien mukaan.

Kirjoittamalla sähköpostiosoitteeseemme [enquiriesEurope@jardencs.com](mailto:enquiriesEurope@jardencs.com) saat lisätietoja kierrätyksestä ja elektroniikkalaiteromusta.

Jarden Consumer Solutions (Europe) Limited  
5400 Lakeside  
Cheadle Royal Business Park  
Cheadle  
SK8 3GQ  
United Kingdom



# Vianmääritys

Ongelma	Ratkaisu
Pikasaumausvalo vilkkuu, kun yritetään saumata.	Erittäin kovassa käytössä tämä tapahtuu ylikuumentamisen estämiseksi. Jos näin käy, odota 20 minuuttia, jotta laite ehtii jäähtyä. Käytön aikana anna laitteen aina jäähtyä vähintään 20 sekunnin ajan, ennen kuin alat tyhjiöpakata toista tuotetta.
Pumppu käy yli 2 minuuttia, mutta ilma ei poistu.	Varmista, että pussin avoin pää on syötetty keruuastiaan alatiivistealueella. Varmista, että molemmat tiivisteet ovat kunnolla paikoillaan ja että niissä ei ole vaurioita. Varmista, että vähintään toinen pussin pää on tiivistetty. Avaa yksikkö ja varmista, ettei ylä- eikä alatiivisteissä ole vieraita esineitä, likaa tai roskia. Varmista, että pussin yläosassa on tarpeeksi tilaa (75 mm), jotta se mahtuu keruuastiaan, kun kansi on suljettu ja lukittu. Varmista, ettei tarvikeletkua ole kiinnitetty. Varmista, että kansi on täysin kiinni ja salpa kiinni-asennossa.
Pussi ei tiivisty kunnolla.	Pussin saumauspisteessä on kosteutta tai rasvaa. Pyyhi liika kosteus pois puhtaalla ja kuivalla paperipyyhkeellä. Pussissa on liikaa nestettä. Pakasta pussin sisältö ennen tyhjiöpakkaamista. Saumauslinjassa on ryppe. Venytä pussia varovasti litteäksi samalla, kun syötät pussin keruuastiaan, ja pidä kiinni pussista, kunnes tyhjiöpumppu käynnistyy. Jos näin on jo tehty ja pussin saumaus ei vieläkään onnistu, luo toinen sauma ensimmäisen yläpuolelle.
Mitään ei tapahdu, kun kansi on suljettuna ja tyhjiöinti ja saumaus-painiketta tai pikasaumauspainiketta painetaan.	Varmista, että kansi on täysin kiinni ja salpa kiinni-asennossa.
Virran merkkivalo on sammunut, kun kansi ja salpa on suljettu.	Jos laitetta ei käytetä 12 minuuttiin, se siirtyy valmiustilaan ja kaikki merkkivalot pysyvät sammuksissa. Palaa haluttuun tilaan painamalla vastaavaa toimintopainiketta (esim. tyhjiöinti ja saumaus).

## Viktige Sikkerhetsanvisninger

Dette produkt må anvendes at børn på 8 år og derover, samt personer med fysiske, sansemæssige eller mentale handicap eller manglende erfaring og viden, såfremt vedkommende er under opsyn eller har modtaget anvisninger i forsvarlig brug af apparatet, og vedkommende forstår farerne i forbindelse med brugen. Børn må ikke lege med apparatet. Rengøring og vedligeholdelse må ikke foretages af børn uden opsyn.

Hvis den monterede ledning er beskadiget, skal den udskiftes af producenten, dennes serviceagent eller en lignende kvalificeret person for at undgå sikkerhedsfarer.

- Brug altid apparatet på en stabil, fast, tør og plan overflade.
- **FORSIKTIG: DETTE FORSEGLINGSAPPARATET ER IKKE FOR KOMMERSIELL BRUK.** Brug aldrig dette apparat til andet, end det er beregnet til. Dette apparat er kun beregnet til husholdningsbrug. Brug ikke apparatet uden døre.
- Nedsenk aldrig nogen del af apparatet eller ledningen og stikket i vand eller nogen anden væske.
- Undlad at bruge apparatet, hvis det er blevet tabt, eller hvis det bærer synlige tegn på skader.
- Sørg for, at apparatet er slukket, og at stikket er trukket ud af stikkontakten, inden apparatet rengøres.
- Ta støpselet ut av stikkontakten for å koble fra. Trekk ikke i ledningen når du tar ut støpselet.
- Ikke bruk en skjøtledning sammen med apparatet.
- Bruk kun tilbehør eller utstyr som er anbefalt av produsenten.
- Når du varmer opp mat i FoodSaver-poser må du passe på å legge dem i vann ved lave temperaturer under 75 °C (170 °F).
- **FØDEVARER I POSER KAN OPTØS, MEN IKKE GENOPVARMES I EN MIKROBØLGEOVN.** Ved optøning af fødevarer i mikrobølgeovn i FoodSaver-poser er det vigtigt, at den indstilles til maks. 180 watt (optøningsindstilling) i maks. 2 minutter og med en maksimumtemperatur på 70 °C.

### GEM DENNE BRUGSANVISNING

## FoodSaver-systemet

### Hvorfor vakuumpakke?

Lufteksponering gjør at mat mister næringsverdi og smak, og kan også føre til fryseskader. I tillegg gjør luften mange bakterier, mugg- og gjærsopper i stand til å vokse. FoodSaver vakuumpakningsystem fjerner luft og lukker smaken og kvaliteten inne. Med et bredt utvalg FoodSaver-poser og beholdere, kan du nå glede deg over fordelene med en vitenskapelig bevist matlagingsmetode som holder maten fersk opptil fem ganger lengre.

### FoodSaver-systemet sparer tid og penger.

- **Bruk mindre penger.** Med FoodSaver-systemet kan du kjøpe inn stort eller på salg, og vakuumpakke maten din i passende porsjoner uten å måtte kaste mat.
- **Spar mer tid.** Lag mat for hele uken, forbered måltider og oppbevar dem i FoodSaver-poser.
- **Mariner på minutter.** Vakuumpakking åpner opp porene i maten slik at du kan få den herlige marinerte smaken på bare 20 minutter i stedet for over natten.
- **Gjør det enkelt å ha selskap.** Lag signaturretten din og feriegodbitene dine på forhånd slik at du kan bruke tiden sammen med gjestene dine.
- **Nyt sesongvarer og spesialiteter.** Du kan holde matvarer som fort blir dårlige eller som du sjelden bruker ferske lengre.
- **Kontrollerte porsjoner for slanking.** Vakuumpakk fornuftige porsjoner og skriv kalorier og/eller antall gram fett på posen.
- **Beskytt andre ting enn matvarer.** Hold camping- og båtutstyr tørt og organisert når du drar på tur. Beskytt polert sølv mot anløp gjennom å redusere kontakten med luft.

## FoodSaver Tilbehør

Få mest mulig ut av FoodSaver-apparatet ditt med FoodSaver poser, beholdere og tilbehør.

### FoodSaver poser og ruller

FoodSaver poser og ruller har spesielle kanaler som gjør det enklere å fjerne luften effektivt. Konstruksjonen som består av flere lag gjør at de danner en spesielt effektiv barriere mot oksygen og fuktighet, og hjelper til med å beskytte mot fryseskader. FoodSaver poser og ruller kommer i mange forskjellige størrelser.

### FoodSaver beholdere

FoodSaver beholdere er lett å bruke og ideelle til å vakuumpakke delikate ting som muffins og andre bakevarer, væsker og tørrvarer.

### FoodSaver flaskestopper

Bruk FoodSaver flaskestopper til å vakuumpakke vin, drikker uten kullsyre og oljer. Dette vil forlenge væskens levetid og bevare smaken. Ikke bruk flaskestopperen på plastflasker.

### FoodSaver hurtigmarinerer

Hurtigmarinereren fyller maten med smak på minutter i stedet for timer, ved bruk av vakuumpakking som får marinadene til å trenge dypt inn i maten.

### Bestilling



For å bestille FoodSaver poser, ruller og tilbehør, vennligst besøk [www.foodsavereurope.com](http://www.foodsavereurope.com) og velg din region.

## Deler (Se figur 1)

- |                                    |  |
|------------------------------------|--|
| <b>A</b> Øverste forseglingslamel  | <b>L</b> Hastighedsknap                                |
| <b>B</b> Rulleskærer               | <b>M</b> Hastighedsindikatorer (langsom/normal/hurtig) |
| <b>C</b> Rulleskærerstang          | <b>N</b> Knap til beholder/tilbehør                    |
| <b>D</b> Nederste forseglingslamel | <b>O</b> Knap til madtype                              |
| <b>E</b> Forseglingsstrimmel       | <b>P</b> Indikator for tørre fødevarer                 |
| <b>F</b> Udtageelig drypbakke      | <b>Q</b> Indikator for fugtige fødevarer               |
| <b>G</b> Opbevaring af rulle       | <b>R</b> Knap til pulserende vakuum                    |
| <b>H</b> Låsemekanisme             | <b>S</b> Knap til hurtig forsegling                    |
| <b>I</b> Betjeningspanel           | <b>T</b> Knap til vakuumpakning og forsegling          |
| <b>J</b> Port til tilbehør         | <b>U</b> Strømindikator                                |
| <b>K</b> Tilbehørsslange           |  |

## Lage en pose fra en FoodSaver-rull

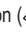
Du kan lage dine egne poser i den størrelsen du ønsker fra en FoodSaver-rull. Henviser til fig. 2:

1. Sett støpselet til vakuumporsegleren din i en stikkontakt. Flyt låsemekanismen (**H**) til åpen position () og åbn låget. Hvis du ikke allerede har gjort det, plasser FoodSaver-rullen i lagringsområdet (**G**), løft deretter opp rullkuttelisten (**C**) og før rullenden under listen. Trekk rullenden ut til ca 10 mm av rullen overlapper forseglingsstripen (**E**).
2. Luk låget, og flyt låsemekanismen (**H**) til lukket position (). Tryk på knappen til hurtig forsegling (**S**). Når forseglingsindikatoren slukker, åpner låget. Enden av rullen vil nå være forseglet.
3. Trekk ut rullen til den lengden som trengs for det som skal pakkes inn. Legg til 75 mm ekstra for at posen skal kunne forsegles, før deretter rullekutteren (**B**) over rullen for å kutte den.

Du kan derefter starte med å bruke din vakuumporsegler (se *Bruke vakuumporsegleren din*).

## Bruke vakuumporsegleren din

Henviser til fig. 3:

1. Legg det som skal forsegles ned i posen. Du kan bruke en ferdig FoodSaver-pose eller lage dine egne poser fra en FoodSaver-rull.
2. Plasser den den åpne enden av posen inn i åpningen til dryppristen (**F**).
3. Luk låget, og flyt låsemekanismen (**H**) til lukket position ()
4. Tryk på hastighedsknappen (**L**) for å velge den ønskede hastighet: Hurtig, Normal eller Langsom. Vælg Langsom til sarte fødevarer, Normal til poser og beholdere i gjennomsnittlig størrelse samt alt tilbehør, og Hurtig til større poser og beholdere.
5. Hvis du emballerer fødevarer, der er fugtige eller meget saftige, skal du trykke på knappen til madtype (**O**) én gang (indikatoren for fugtige fødevarer (**Q**) tænder). Ved tørre fødevarer skal det sikres, at indikatoren for tørre fødevarer (**P**) forbliver tændt (dette er standard).

6. Tryk på knappen til vakuumpakning og forsegling (**T**). Dit FoodSaver-apparat vil begynne å lukke luften ud af posen. Når statuslampen for vakuumpakning er slukket, starter forseglingen af posen (statuslampen for forsegling tænder).
7. Processen er udført, når statuslampen for forsegling slukker.

### Forsegle en pose uten å fjerne luft

For at forsegle en pose uden at lukke luften ud af den, skal du trykke på knappen til hurtig forsegling (**S**) (processen er udført, når forseglingsindikatoren slukker). Du kan forsegle den typen poser som brukes til å pakke snacks som potetgull, tortillachips, etc.


### Brug af knappen til pulserende vakuum

Nogle fødevarer som bagværk, brød, småkager osv. kan blive knust under vakuumpakningen. Anvend knappen til pulserende vakuum (**R**) på følgende måde for at forhindre dette:

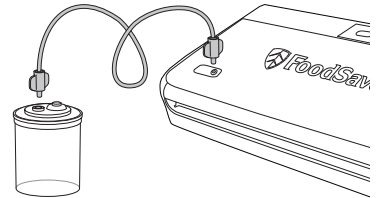
1. Følg trinn 1, 2, 3, 4 og 5 i *Bruke vakuumporsegleren din*.
2. Tryk på knappen til pulserende vakuum (**R**), og hold den nede efter behov. Vakuumpumpen er aktivert, så længe knappen holdes nede. Slip knappen, før indholdet knuses. Herefter vil al udsugning af luft øjeblikkeligt blive stoppet.
3. Tryk på knappen til hurtig forsegling (**S**) øjeblikkeligt efter vakuumpakningen. Statuslampen for forsegling tænder. Processen er udført, når statuslampen for forsegling slukker.

**BEMÆRK:** Hvis vakuumpumpen stopper, imens knappen til pulserende vakuum holdes ned, betyder det, at det maksimale vakuum er opnået, og at der ikke kan suges mere luft ud.

### Bruke FoodSaver-tilbehør

1. Indsæt den ene ende af tilbehørsslangen (**K**) i tilbehørsporten (**J**) på FoodSaver-apparatet. Sæt den anden ende af slangen i porten på tilbehøret, og sørg for, at den er godt sluttet til. Følg eventuelle specifikke instruktioner, der følger med FoodSaver-tilbehøret.
2. Luk låget, og flyt låsemekanismen (**H**) til lukket position ()
3. Tryk på knappen til beholder/tilbehør (**N**). Processen er udført, når statuslampen slukker.

**BEMÆRK:** Den tid, det tager at lukke al luft ud af tilbehøret, afhænger af tilbehørets størrelse.



# Oppbevaring, hint og tips

## Vakuumpakking og matvaresikkerhet

Vakuumpakkingsprosessen forlenger levetiden til matvarer ved å fjerne mesteparten av luften fra den forseglede beholderen, og på denne måten redusere oksidasjonen som påvirker næringsverdi, smak og kvalitet generelt. Ved å fjerne luft kan man også begrense veksten av mikroorganismer, som kan føre til problemer under visse forhold.

For å bevare mat på en trygg måte er det meget viktig at du opprettholder lave temperaturer. Du kan begrense veksten av mikroorganismer signifikant ved temperaturer på 4 °C og lavere.

Å fryse mat ved -17 °C dreper ikke mikroorganismer, men hindrer videre vekst. Hvis du skal lagre mat over lang tid må du alltid fryse mat som fort blir dårlig etter at den er vakuumpakket, og oppbevare den i kjøleskap etter tining.

Det er viktig å merke seg at vakuumpakking IKKE er en erstatning for hermetisering, og kan ikke reversere nedbrytningen av matvarer. Det kan kun bremse kvalitetsendringen. Det er vanskelig å forutsi hvor lenge matvarer vil beholde smak av topp kvalitet, utseende og konsistens da dette er avhengig av matens alder og tilstand den dagen den ble vakuumpakket.

Fødevarer	Holdbarhetstid
Oksekød, svinekød, lammekød, fjerkræ	2-3 år
Hakkekød	1 år
Fisk	2 år
Faste oste (cheddar, parmesan, edam, gouda osv.)	4-8 måneder
Asparges, broccoli, blomkål, gulerødder, kål, rosenkål, grønne bønner, ærter, majs osv.	2-3 år
Salat, spinat osv.	2 uger
Abrikoser, blommer, ferskner, nektariner osv.	1-3 år
Bløde bær (hindbær, brombær, jordbær osv.)	1 uge
Faste bær (blåbær, tranebær osv.)	2 uger
Brød, bagels, bagværk	1-3 år
Nødder og kerner	2 år
Kaffebønner	1 år
Malet kaffe	5-6 måneder
Fødevarer i pulverform (sukker, mel osv.)	1-2 år
Sovse, supper, gryderetter osv.	1-2 år
Tørre fødevarer (bønner, pasta, ris, korn osv.)	1-2 år
Kartoffelchips, småkager, kiks osv.	3-6 uger

**VIKTIG:** Vakuumpakking er ikke en erstatning for nedkjøling eller frysing. All mat som kan bli dårlig og som krever nedkjøling må fremdeles oppbevares i kjøleskap eller fryser etter vakuumpakking. For å unngå sykdom må ikke poser brukes på nytt etter å ha lagret rått kjøtt, rå fisk eller mat med mye olje/fett. Ikke bruk poser som har vært i mikrobølgeovn eller blitt varmet opp i gryte på nytt.

### Tine og varme opp vakuumpakket mat

MAT I POSER KAN TINES MEN IKKE VARMES OPP IGJEN I MIKROBØLGEOVN.

**Tining** - Tin alltid mat i kjøleskap eller i mikrobølgeovn — tin ikke mat som kan bli dårlig i romtemperatur. Pass på å klippe av hjørnet av posen før den plasseres i mikrobølgeovnen. Vi anbefaler at du plasserer posen på en asjett som tåler mikrobølgeovn, slik at evt. væske samles opp.

**Oppvarming** - Hvis du skal varme opp maten i mikrobølgeovn bør du ta den ut av posen og legge den på en asjett som tåler mikrobølgeovn.

Du kan også varme opp mat i FoodSaver-poser ved å legge dem i vann ved lave temperaturer under 75 °C (170 °F). Pass på at maten blir helt gjennomvarm.

Opbevaringssted	Bemærkninger
Fryser	Indfrys fugtige fødevarer, før de vakuumpakkes. Alternativt kan en foldet papirserviet lægges mellom fødevareren og posens ende for at optage overskydende væske. Husk at lade 75 mm plads tilbage efter servietten for at give plads til forseglingen. <b>Bemærk:</b> Oksekød kan se mørkere ud efter vakuumpakning grundet den manglende ilt. Det betyder ikke, at det er fordærvet.
Fryser	
Fryser	
Køleskab	Vakuumpak ost efter hver brug for at holde den frisk. Gør poserne ekstra lange for at give 25 mm plads til hver ny forsegling. Bløde oste må ALDRIG vakuumpakkes.
Opbevares altid i fryseren	Blancher grøntsager inden pakning, indtil de er tilberedte, men stadig sprøde. Frys før pakning. Deles under frysning for at undgå, at grøntsagerne hænger sammen, når de pakkes. Friske svampe må ALDRIG vakuumpakkes.
Køleskab	Vask, og tør derefter. Pak i en FoodSaver-beholder for at få de bedste resultater.
Fryser	Indfrys bløde frugter og bær, før de pakkes. Deles under frysning for at undgå, at frugterne hænger sammen, når de pakkes.
Køleskab	
Køleskab	
Fryser	Vi anbefaler brug af en FoodSaver-beholder for at undgå, at fødevarerne knuses. Alternativt kan de indfryses, indtil de er faste.
Spisekammer	Placer et kaffefilter eller en papirserviet i toppen af posen eller beholderen før vakuumpakning for at forhindre, at fødevarerpartikler suges ind i vakuumpumpen. Du kan også lægge fødevarerne i deres oprindelige pose ind i en FoodSaver-pose.
Spisekammer	
Spisekammer	
Spisekammer	
Fryser	Indfrys i en passende beholder, indtil væsken er fast. Tag den frosne væske ud af beholderen, og vakuumpak den i en FoodSaver-pose.
Spisekammer	Pak varer som f.eks. kiks, der kan knuses, i en FoodSaver-beholder for at få de bedste resultater.
Spisekammer	

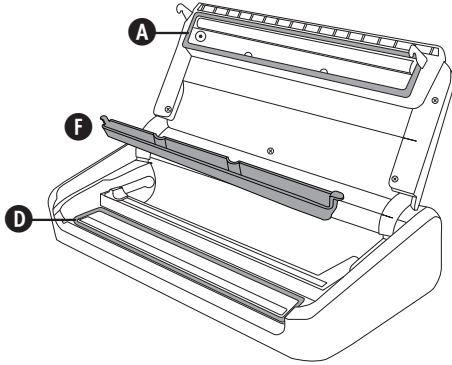
## Stell og rengjøring

**Dypp aldri apparatet eller strømkabelen og støpselet i vann eller annen væske. Ta alltid ut støpselet før rengjøring.**

Tørk over selve apparatet med en myk, tørr klut.

Fjern og tøm dryppristen (F) etter hver bruk. Vask den i varmt såpevann eller sett den i øverste hylle i oppvaskmaskinen. Tørk godt før den settes på plass igjen.

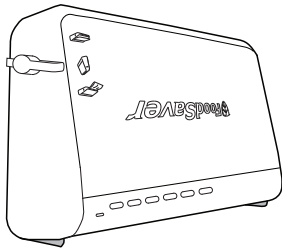
Sjekk den øvre pakningen (A), den nedre pakningen (D) og rundt dryppristen og pass på at det ikke ligger igjen noen matrester. Tørk ren pakningene med en klut med såpevann om nødvendig. Pakningene må tas ut før rengjøring. Vask dem med varmt såpevann. Tørk dem godt og sett dem på plass igjen.



Vi anbefaler, at du udskifter pakningene i dit FoodSaver-apparat hvert år, for at det fungerer effektivt. Du kan bestille erstatningsvarer på [www.foodsaver europe.com](http://www.foodsaver europe.com).

## Oppbevaring

1. Luk låget, og flyt låsemekanismen (H) til oppbevaringsposition (P). Dette er tilstrekkelig til å sikre lokket, men unngår sammenpressing av pakningene (noe som kan føre til at apparatet ikke fungerer som det skal).
2. Løft apparatets forende, og placer det på oppbevaringsfoden i en oppreist position.



## Garanti

Gem vanligst din kvittering, da den skal fremvises ved fremsættelse af eventuelle krav i forbindelse med garantien.

Dette udstyr er omfattet af garantien i to år efter købet, sådan som det er beskrevet i dette dokument.

Hvis udstyret i løbet af denne garantiperiode mod forventning skulle holde op med at fungere på grund af design- eller produktionsfejl, skal du returnere det til købsstedet sammen med købskvitteringen og en kopi af dette garantibevis.

Rettighederne og fordelene ifølge denne garanti er et supplement til dine lovbestemte rettigheder, som ikke bliver påvirket af denne garanti. Kun Jarden Consumer Solutions (Europe) LIMITED ("JCS (Europe)") har ret til at ændre disse betingelser.

I garantiperioden varetager JCS (Europe) at reparere eller udskifte udstyret eller enhver del af udstyret, som ikke fungerer korrekt, uden krav om betaling, forudsat at:

- du straks underretter købsstedet eller JCS (Europe) om problemet og
- udstyret ikke er blevet ændret på nogen måde eller udsat for beskadigelse, forkert brug, misbrug, reparation eller ændringer, der er foretaget af en person, der ikke er autoriseret af JCS (Europe).

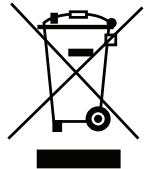
Fejl, der opstår på grund af forkert brug, beskadigelse, misbrug, anvendelse af forkert spænding, naturfænomener, hændelser uden for JCS (Europe)s kontrol, reparation eller ændringer, der er foretaget af en person, der ikke er autoriseret af JCS (Europe), eller manglende overholdelse af brugsanvisningerne er ikke dækket af garantien.

Derudover dækkes normalt slid, herunder men ikke begrænset til mindre misfarvning eller ridser, ikke af denne garanti. Rettighederne ifølge denne garanti gælder kun for den oprindelige køber og omfatter ikke kommerciel eller kommunal anvendelse.

Hvis dit udstyr er omfattet af en garanti eller et garantibevis, der kun gælder for det pågældende land, skal du referere til vilkårene og betingelserne for en sådan garanti/et sådant garantibevis i stedet for denne garanti eller kontakte din lokale forhandler for at få flere oplysninger.

Brugte elektriske produkter må ikke bortskaffes sammen med husholdningsaffaldet. Benyt vanligst en genbrugsordning, hvis en sådan findes. Send en e-mail til os på [enquiriesEurope@jardencs.com](mailto:enquiriesEurope@jardencs.com) for at få yderligere oplysninger om genbrug og WEEE.

Jarden Consumer Solutions (Europe) Limited  
5400 Lakeside  
Cheadle Royal Business Park  
Cheadle  
SK8 3GQ  
United Kingdom



# Feilsøking

Problem	Løsning
Indikatoren for hurtig forsegling blinker, når det forsøges at udføre forsegling.	Dette kan ske ved omfattende kontinuerlig brug for at forhindre overophedning. Hvis det sker, skal du vente 20 minutter, så apparatet kan blive nedkølet. Vent altid mindst 20 sekunder under kontinuerlig brug, før du begynder at vakuumpakke en ny enhed.
Pumpen kører i mere end 2 minutter, uden at luft bliver fjernet.	Sørg for, at den åbne ende af posen er indført i drypbakken i området med den nederste forseglingslamel. Kontroller, at begge forseglingslameller sidder korrekt og ikke er beskadiget. Kontroller, at mindst en af posens ender er forseglet. Åbn enheden, og kontroller, at der ikke er fremmedelementer, snavs eller affald på den øverste eller nederste forseglingslamel. Sørg for, at der er nok plads i toppen af posen (75 mm), så den passer i drypbakken med låget lukket og fastgjort. Sørg for, at tilbehørsslangen ikke er fastgjort. Kontrollér, at låget er helt lukket, og at låsemekanismen er i lukket position.
Posen er ikke forseglet korrekt.	Der er fugt eller fedt i posen ved forseglingspunktet. Tør eventuel fugt af med et rent, tørt stykke køkkenrulle. Der er for meget væske i posen. Frys posens indhold, inden det vakuumpakkes. Der er en fold på forseglingslinjen. Stræk forsigtigt posen flad, imens den indsættes i drypbakken, og fortsæt med at holde posen, indtil vakuumpumpen starter. Hvis dette allerede er udført, og posen stadig ikke er forseglet, skal der laves en ny forsegling over den første forsegling.
Der sker intet, når låget er lukket, og der trykkes på knappen til vakuumpakning og forsegling eller knappen til hurtig forsegling.	Kontrollér, at låget er helt lukket, og at låsemekanismen er i lukket position.
Strømindikatoren slukker, når låget lukkes, og låsen er i den lukkede position.	Hvis apparatet ikke berøres i 12 minutter, går det i standby-tilstand, og alle indikatorlamper forbliver slukket. Tryk på den relevante funktionsknap for at vende tilbage til den påkrævede tilstand (fx vakuumpakning og forsegling).



Dette produktet kan brukes av barn fra 8 år og oppover og personer med reduserte fysiske, sensoriske eller mentale evner eller manglende erfaring og kunnskap hvis de er under oppsyn eller er gitt instruksjoner om bruk på en trygg måte og forstår farene involvert. Barn skal ikke leke med produktet. Rengjøring og vedlikehold skal ikke foretas av barn uten oppsyn.

Hvis tilførselsslagen er skadet må den erstattes av produsenten, en servicetekniker eller lignende kvalifisert person for å unngå skade.

- Bruk alltid apparatet på en stabil, sikker, tørr og jevn overflate.
- **FORSIKTIG: DETTE FORSEGLINGSAPPARATET ER IKKE FOR KOMMERSIELL BRUK.** Bruk aldri dette apparatet til noe annet enn tiltenkt bruk. Dette apparatet er kun for husholdningsbruk. Ikke bruk apparatet utendørs.
- Dypp aldri noen del av apparatet eller strømkabelen i vann eller annen væske.
- Ikke bruk apparatet hvis det har falt i gulvet eller hvis det har synlige tegn på skader.
- Sørg for at apparatet er slått av og frakoblet strømmen etter bruk, før rengjøring.
- Ta støpselet ut av stikkkontakten for å koble fra. Trekk ikke i ledningen når du tar ut støpselet.
- Ikke bruk en skjøteldening sammen med apparatet.
- Bruk kun tilbehør eller utstyr som er anbefalt av produsenten.
- Når du varmer opp mat i FoodSaver-posere må du passe på å legge dem i vann ved lave temperaturer under 75 °C (170 °F).
- **MAT I POSER KAN TINES, MEN IKKE VARMES OPP IGJEN I MIKROBØLGEOVN.** Når du tiner mat i mikrobølgeovnen i FoodSaver-posere, må du passe på ikke å overstige en maksimumseffekt på 180 watt (innstilling for tining), i maksimalt 2 minutter og en maksimumstemperatur på 70 °C (158 °F).

### TA VARE PÅ DISSE INSTRUKSJONER

### Hvorfor vakuumpakke?

Lufteksponering gjør at mat mister næringsverdi og smak, og kan også føre til fryseskader. I tillegg gjør luften mange bakterier, mugg- og gjærsopper i stand til å vokse. FoodSaver vakuumpakningsystem fjerner luft og lukker smaken og kvaliteten inne. Med et bredt utvalg FoodSaver-posere og beholdere, kan du nå glede deg over fordelene med en vitenskapelig bevist matlagingsmetode som holder maten fersk opptil fem ganger lengre.

### FoodSaver-systemet sparer tid og penger

- **Bruk mindre penger.** Med FoodSaver-systemet kan du kjøpe inn stort eller på salg, og vakuumpakke maten din i passende porsjoner uten å måtte kaste mat.
- **Spar mer tid.** Lag mat for hele uken, forbered måltider og oppbevar dem i FoodSaver-posere.
- **Mariner på minutter.** Vakuumpakking åpner opp porene i maten slik at du kan få den herlige marinerte smaken på bare 20 minutter i stedet for over natten.
- **Gjør det enkelt å ha selskap.** Lag signaturretten din og feriegodbitene dine på forhånd slik at du kan bruke tiden sammen med gjestene dine.
- **Nyt sesongvarer og spesialiteter.** Du kan holde matvarer som fort blir dårlige eller som du sjelden bruker ferske lengre.
- **Kontrollerte porsjoner for slanking.** Vakuumpakk fornuftige porsjoner og skriv kalorier og/eller antall gram fett på posen.
- **Beskytt andre ting enn matvarer.** Hold camping- og båtutstyr tørt og organisert når du drar på tur. Beskytt polert sølv mot anløp gjennom å redusere kontakten med luft.

## FoodSaver Tilbehør

Få mest mulig ut av FoodSaver-apparatet ditt med FoodSaver posere, beholdere og tilbehør.

### FoodSaver posere og ruller

FoodSaver posere og ruller har spesielle kanaler som gjør det enklere å fjerne luften effektivt. Konstruksjonen som består av flere lag gjør at de danner en spesielt effektiv barriere mot oksygen og fuktighet, og hjelper til med å beskytte mot fryseskader. FoodSaver posere og ruller kommer i mange forskjellige størrelser.

### FoodSaver beholdere

FoodSaver beholdere er lett å bruke og ideelle til å vakuumpakke delikate ting som muffins og andre bakevarer, væsker og tørrvarer.

### FoodSaver flaskestopper

Bruk FoodSaver flaskestopper til å vakuumpakke vin, drikker uten kullsyre og oljer. Dette vil forlenge væskens levetid og bevare smaken. Ikke bruk flaskestopperen på plastflasker.

### FoodSaver hurtigmarinerer

Hurtigmarinereren fyller maten med smak på minutter i stedet for timer, ved bruk av vakuumpakning som får marinadene til å trenge dypt inn i maten.

### Bestilling

For å bestille FoodSaver posere, ruller og tilbehør, vennligst besøk [www.foodsavereurope.com](http://www.foodsavereurope.com) og velg din region.

## Deler (Se figur 1)

- |                                  |  |
|----------------------------------|--|
| <b>A</b> Øvre pakning            | <b>L</b> Hastighetsknapp                       |
| <b>B</b> Rullkutter              | <b>M</b> Hastighetslys (langsom/normal/hurtig) |
| <b>C</b> Rullkuttelist           | <b>N</b> Beholder-/tilbehørsknapp              |
| <b>D</b> Nedre pakning           | <b>O</b> Mattypeknapp                          |
| <b>E</b> Forseglingsstripe       | <b>P</b> Lys for tørmat                        |
| <b>F</b> Uttagbar drypprist      | <b>Q</b> Lys for fuktig mat                    |
| <b>G</b> Rulloppebevaring        | <b>R</b> Pulsvakuumknapp                       |
| <b>H</b> Sperre                  | <b>S</b> Knapp for øyeblikkelig forsegling     |
| <b>I</b> Kontrollpanel           | <b>T</b> Vakuum og forsegle-knapp              |
| <b>J</b> Tilkobling for tilbehør | <b>U</b> Strømlampe                            |
| <b>K</b> Slange til tilbehør     |  |

## Lage en pose fra en FoodSaver-roll

Du kan lage dine egne poser i den størrelsen du ønsker fra en FoodSaver-roll. Henviser til fig. 2:

- Sett støpselet til vakuumforsegleren din i en stikkontakt. Flytt sperren (**H**) til åpen posisjon (☞) og åpne lokket. Hvis du ikke allerede har gjort det, plasser FoodSaver-rollen i lagringsområdet (**G**), løft deretter opp rullkuttelisten (**C**) og før rullenden under listen. Trekk rullenden ut til ca 10 mm av rullen overlapper forseglingsstripen (**E**).
- Lukk lokket og flytt sperren (**H**) til lukket posisjon (☜). Trykk på knappen for øyeblikkelig forsegling (**S**). Når forseglingslyset slukkes, åpne lokket. Enden av rullen vil nå være forseglet.
- Trekk ut rullen til den lengden som trengs for det som skal pakkes inn. Legg til 75 mm ekstra for at posen skal kunne forsegles, før deretter rullekutteren (**B**) over rullen for å kutte den.

Du kan da starte din vakuumforsegler (se *Bruke vakuumforsegleren din*).

## Bruke vakuumforsegleren din

Henviser til fig. 3:

- Legg det som skal forsegles ned i posen. Du kan bruke en ferdig FoodSaver-pose eller lage dine egne poser fra en FoodSaver-roll
- Plasser den åpne enden av posen inn i åpningen til dryppristen (**F**).
- Lukk lokket og flytt sperren (**H**) til lukket posisjon (☜).
- Ved behov, trykk på hastighetsknappen (**L**) for å velge hastighetsinnstillingene Rask, Normal eller Langsom. Velg Langsom for delikate matvarer, Normal for middels store poser, beholdere og alt tilbehør, og Rask for større poser og beholdere.
- Hvis du skal pakke mat som er fuktig eller har mye saft i seg, trykk på Mattype-knappen (**O**) én gang (lyset for fuktig mat, (**Q**), vil da tennes). For tørmat må du sørge for at lyset for tørmat (**P**) forblir tent (dette er standard).

- Trykk på Vakuum og forsegle-knappen (**T**). Ditt FoodSaver-apparat vil begynne å fjerne luft fra posen. Når vakuumfremdriftslyset er slukket, begynner posen å forsegles (lyset for forseglingsfremdrift tennes).
- Prosessen er fullført når lyset for forseglingsfremdrift slukkes.

### Forsegle en pose uten å fjerne luft

For å forsegle en pose uten å tømme den for luft, må du trykke på knappen for øyeblikkelig forsegling (**S**) (prosessen er fullført når forseglingslyset slukkes). Du kan forsegle den typen poser som brukes til å pakke snacks som potetgull, tortillachips, etc.

### Bruke pulsavakuumknappen

Noen ting som kaker, brød, kjeks osv. kan bli knust når de vakuumpakkes. For å unngå dette, bruk pulsavakuumknappen (**R**) på følgende måte:

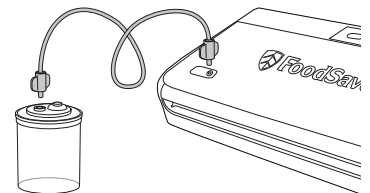
- Følg trinn 1, 2, 3, 4 og 5 i Bruke vakuumforsegleren din
- Trykk og hold inne pulsavakuumknappen (**R**) ved behov. Vakuumpumpen er i drift så lenge knappen holdes inne. Slipp opp knappen før det oppstår knusing. Dette vil umiddelbart hindre mer luft i å bli trukket ut.
- Trykk på knappen for øyeblikkelig forsegling (**S**) umiddelbart etter vakuumpakking. Fremdriftslyset for forsegling vil tennes. Prosessen er fullført når lyset for forseglingsfremdrift slukkes.

**MERK:** Hvis vakuumpumpen stanser mens du trykker på pulsavakuumknappen, betyr det at maksimalt vakuum er nådd og mer luft ikke kan trekkes ut.

### Bruke FoodSaver-tilbehør

- Sett inn den ene enden av tilbehørsslange K i tilbehørsport J på FoodSaver-apparatet. Plasser den andre enden i porten på tilbehøret og sørg for at den er godt tilkoblet. Følg de instruksjonene som fulgte med FoodSaver-tilbehøret.
- Lukk lokket og flytt sperren (**H**) til lukket posisjon (☜).
- Trykk på Beholder-/tilbehørsknappen (**N**). Prosessen er fullført når fremdriftslyset slukkes.

**MERK:** Tiden det tar å fjerne all luften fra tilbehøret vil være avhengig av størrelsen på tilbehøret.



# Oppbevaring, hint og tips

## Vakuumpakking og matvaresikkerhet

Vakuumpakkingsprosessen forlenger levetiden til matvarer ved å fjerne mesteparten av luften fra den forseglede beholderen, og på denne måten redusere oksidasjonen som påvirker næringsverdi, smak og kvalitet generelt. Ved å fjerne luft kan man også begrense veksten av mikroorganismer, som kan føre til problemer under visse forhold.

For å bevare mat på en trygg måte er det meget viktig at du opprettholder lave temperaturer. Du kan begrense veksten av mikroorganismer signifikant ved temperaturer på 4 °C og lavere.

Å fryse mat ved -17 °C dreper ikke mikroorganismer, men hindrer videre vekst. Hvis du skal lagre mat over lang tid må du alltid fryse mat som fort blir dårlig etter at den er vakuumpakket, og oppbevare den i kjøleskap etter tining.

Det er viktig å merke seg at vakuumpakking IKKE er en erstatning for hermetisering, og kan ikke reversere nedbrytningen av matvarer. Det kan kun bremse kvalitetsendringen. Det er vanskelig å forutsi hvor lenge matvarer vil beholde smak av topp kvalitet, utseende og konsistens da dette er avhengig av matens alder og tilstand den dagen den ble vakuumpakket.

Matvarer	Holdbarhetstid
Storfe, svin, lam, fjærfe	2-3 år
Kjøttdeig	1 år
Fisk	2.
Harde oster (Cheddar, Parmesan, Edam, Gouda, etc.)	4-8 måneder
Asparages, brokkoli, blomkål, gulrøtter, kål, rosenkål, grønne bønner, erter, mais, etc.	2-3 år
Salat, spinat, etc.	2 uker
Aprikoser, plommer, ferskener, nektariner, etc.	1-3 år
Myke bær (bringebær, bjærnebær, jordbær, etc.)	1 uke
Harde bær (blåbær, tranebær, etc.)	2 uker
Brød, bageler, kaker	1-3 år
Nøtter og frø	2.
Kaffebønner	1 år
Kvernet kaffe	5-6 måneder
Pulveriserte matvarer (sukker, mel, etc.)	1-2 år
Sauser, supper, stuinger, etc.	1-2 år
Tørkede matvarer (bønner, pasta, ris, korn, etc.)	1-2 år
Potetchips, søte og salte kjeks, etc.	3-6 uker

**VIKTIG:** Vakuumpakking er ikke en erstatning for nedkjøling eller frysing. All mat som kan bli dårlig og som krever nedkjøling må fremdeles oppbevares i kjøleskap eller fryser etter vakuumpakking. For å unngå sykdom må ikke poser brukes på nytt etter å ha lagret rått kjøtt, rå fisk eller mat med mye olje/fett. Ikke bruk poser som har vært i mikrobølgeovn eller blitt varmet opp i gryte på nytt.

### Tine og varme opp vakuumpakket mat

MAT I POSER KAN TINES MEN IKKE VARMES OPP IGJEN I MIKROBØLGEOVN.

**Tining** - Tin alltid mat i kjøleskap eller i mikrobølgeovn — tin ikke mat som kan bli dårlig i romtemperatur. Pass på å klippe av hjørnet av posen før den plasseres i mikrobølgeovnen. Vi anbefaler at du plasserer posen på en asjett som tåler mikrobølgeovn, slik at evt. væske samles opp.

**Oppvarming** - Hvis du skal varme opp maten i mikrobølgeovn bør du ta den ut av posen og legge den på en asjett som tåler mikrobølgeovn.

Du kan også varme opp mat i FoodSaver-poser ved å legge dem i vann ved lave temperaturer under 75 °C (170 °F). Pass på at maten blir helt gjennomvarm.

Bør lagres hvor	Merknader
Fryser	Forhåndsfrys fuktige matvarer før vakuumpakking Alternativt kan du plassere et brettet papirhåndkle mellom maten og poseåpningen for å absorbere overflødig væske. Husk å la det være igjen 75 mm rom etter håndkleet slik at forseglingen kan lages. <b>Merk:</b> Storfekjøtt kan se mørkere ut etter vakuumpakking på grunn av at oksygen fjernes. Dette er ikke en indikasjon på at kjøttet er blitt dårlig.
Fryser	
Fryser	
Kjøleskap	Vakuumpakk osten hver gang du har brukt den så den holder seg fersk Lag posene ekstra lange slik at du har plass til de 25 mm som trengs til hver nye forsegling. Vakuumpakk ALDRI myke oster.
Lagres alltid i fryser	Blansjer grønnsaker til de er kokte men fremdeles sprø før de pakkes. Frys før pakking Separer grønnsakene under frysing for å unngå at de klirrer seg til hverandre når de er pakket. Vakuumpakk ALDRI fersk sopp.
Kjøleskap	Vask, tørk deretter. For å få de beste resultatene, pakk ved bruk av en FoodSaver-beholder.
Fryser	Forhåndsfrys myke frukter og bær før pakking. Separer fruktene under frysing for å unngå at de klirrer seg til hverandre når de er pakket.
Kjøleskap	
Kjøleskap	
Fryser	Vi anbefaler bruk av en FoodSaver-beholder for å unngå knusing. Alternativt kan du forhåndsfryse dem til de er faste.
Spiskammer	For å unngå at matpartikler suges inn i vakuumpumpen, kan du plassere et kaffefilter eller papirhåndkle ved toppen av posen eller beholderen før vakuumpakking. Du kan også legge maten i originalemballasjen inne i en FoodSaver-pose.
Spiskammer	
Spiskammer	
Spiskammer	
Fryser	Forhåndsfrys i passende beholder til den er fast. Ta ut den fryste væsken og vakuumpakk den i FoodSaver-pose.
Spiskammer	For å få de beste resultatene, bruk en FoodSaver-beholder for matvarer som kan knuses.
Spiskammer	

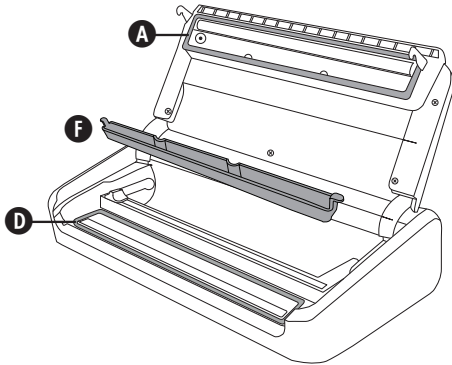
## Stell og rengjøring

**Dypp aldri apparatet eller strømkabelen og støpselet i vann eller annen væske. Ta alltid ut støpselet før rengjøring.**

Tørk over selve apparatet med en myk, tørr klut.

Fjern og tøm dryppristen (F) etter hver bruk. Vask den i varmt såpevann eller sett den i øverste hylle i oppvaskmaskinen. Tørk godt før den settes på plass igjen.

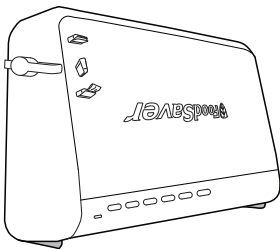
Sjekk den øvre pakningen (A), den nedre pakningen (D) og rundt dryppristen og pass på at det ikke ligger igjen noen matrester. Tørk ren pakningene med en klut med såpevann om nødvendig. Pakningene må tas ut før rengjøring. Vask dem med varmt såpevann. Tørk dem godt og sett dem på plass igjen.



For å vedlikeholde effektiv drift av FoodSaver-apparatet, anbefaler vi at du bytter pakninger hvert år. For å bestille deler kan du gå til [www.foodsaver europe.com](http://www.foodsaver europe.com).

## Oppbevaring

1. Lukk lokket og flytt sperren (H) til oppbevaringsposisjonen (Ø). Dette er tilstrekkelig til å sikre lokket, men unngår sammenpressing av pakningene (noe som kan føre til at apparatet ikke fungerer som det skal).
2. Løft fremsiden av apparatet og sett den på lagringsbeina i en oppreist posisjon.



## Garanti

Ta vare på kvitteringen da den kreves ved eventuelle garantikrav.

Dette apparatet har en garanti på to år etter kjøpsdato, som beskrevet i dette dokumentet.

Om apparatet slutter å fungere i løpet av garantiperioden på grunn av en design- eller produksjonsfeil, ta apparatet tilbake til kjøpsstedet sammen med kvitteringen og en kopi av denne garantien.

Rettighetene og fordelene under denne garantien er i tillegg til dine lovfastede rettigheter, som ikke påvirkes av denne garantien. Det er bare Jarden Consumer Solutions (Europe) Limited (JCS (Europe)) som har rett til å endre disse vilkårene.

JCS (Europe) påtar seg, i garantiperioden, å reparere eller erstatte apparatet eller noen del av apparatet som ikke fungerer som det skal, kostnadsfritt, gitt at:

- du raskt gir beskjed til kjøpsstedet eller JCS (Europe) om problemet, og
- apparatet ikke har blitt endret på noen måte eller utsatt for skade, feil bruk, misbruk, reparasjoner eller ombygging utført av noen andre enn personer autorisert av JCS (Europe).

Feil som inntreffer på grunn av feil bruk, skade, misbruk, bruk med feil spenning, naturulykker, hendelser utenfor JCS (Europe) sin kontroll, reparasjoner eller ombygging utført av noen andre enn personer autorisert av JCS (Europe) eller unnlattelse å følge bruksinstruksjonene, dekkes ikke av denne garantien.

I tillegg dekkes ikke normal slitasje, inkludert, men ikke begrenset til, mindre misfarging og skraper, av denne garantien.

Rettighetene under denne garantien skal kun gjelde for den opprinnelige kjøperen, og skal ikke utvides til kommersielt eller offentlig bruk. Hvis apparatet ditt inkluderer et landsspesifikt garantiark, se vilkårene i en slik garanti i stedet for denne garantien, eller ta kontakt med din lokale autoriserte forhandler for mer informasjon.

Elektriske produkter skal ikke avhendes sammen med husholdningsavfall. Lever elektriske produkter ved egnede anlegg. Send oss en e-post på [enquiriesEurope@jardencs.com](mailto:enquiriesEurope@jardencs.com) for mer informasjon om resirkulering og WEEE.

Jarden Consumer Solutions (Europe) Limited  
5400 Lakeside  
Cheadle Royal Business Park  
Cheadle  
SK8 3GQ  
United Kingdom



# Feilsøking

Problem	Løsning
Lyset for øyeblikkelig forsegling blinker når den forsøker å forsegle.	Under svært kraftig bruk, skjer dette for å forhindre overoppheting. Hvis dette skjer, må du vente i 20 minutter for å gi apparatet tid til å kjøles ned. Under bruk må du alltid vente i minst 20 sekunder før du begynner å vakuumpakke en annen gjenstand.
Pumpen går i mer enn 2 minutter uten at luft fjernes.	Pass på at den åpne enden av posen er plassert i dryppeskålen innenfor det nedre pakningsområdet. Sjekk at begge pakningene sitter som de skal og ikke er skadet. Kontroller at minst en av poseendene er forseglet. Åpne enheten og kontroller at det ikke er fremmedlegemer, skitt eller matbiter på de øvre eller nedre pakningene. Åpne enheten og kontroller at det er nok rom i toppen av posen (75 mm), slik at den passer i dryppeskålen når lokket er lukket og festet. Pass på at tilbehørsslangen er festet. Påse at lokket er helt lukket med sperren i lukket posisjon.
Posen er ikke skikkelig forseglet.	Det er fukt eller fett i posen på forseglingspunktet. Tørk bort evt. ekstra fukt med et rent, tørt tørkepapir. Det er for mye væske i posen. Frys innholdet i posen før vakuumpakking. Det er en brett i forseglingslinjen. Strekk posen forsiktig ut så den blir flat, mens du legger den i dryppeskålen og fortsetter å holde i posen til vakuumpumpen starter. Hvis dette allerede er gjort og posen fremdeles ikke vil forsegles, lager du en annen forsegling over den første.
Ingenting skjer når lokket er lukkes og vakuumpumpen og forseglingsknappene eller knappen for øyeblikkelig forsegling trykkes inn.	Påse at lokket er helt lukket med sperren i lukket posisjon.
Strømlampen er slukket når lokket er lukket og sperren er i stengt-posisjon.	Hvis apparatet forblir uberørt i 12 minutter, vil det gå i ventemodus og alle indikatorlysene vil forbli slukket. Trykk på den riktige funksjonsknappen for å returnere til påkrevd modus (f.eks. Vakuumpump og forsegling).

## WAŻNE ZASADY BEZPIECZEŃSTWA

Urządzenie to może być używane przez dzieci od 8. roku życia oraz osoby o ograniczonej sprawności fizycznej, czuciowej lub psychicznej lub osoby niemające doświadczenia ani wiedzy, pod warunkiem że korzystają z urządzenia pod nadzorem lub zostały poinstruowane odnośnie do bezpiecznego używania urządzenia oraz mają świadomość ryzyka związanego z jego użytkowaniem. Dzieci nie powinny bawić się urządzeniem. Dzieci nie powinny czyścić ani konserwować urządzenia bez nadzoru.

W celu uniknięcia zagrożenia uszkodzony przewód zasilający może być wymieniony jedynie przez producenta, autoryzowany serwis lub wykwalifikowaną osobę.

- Zawsze używaj urządzenia na stabilnej, bezpiecznej, suchej i poziomej powierzchni.
- PRZESTROGA: NINIEJSZY SYSTEM PAKOWANIA NIE JEST PRZEZNACZONY DO UŻYTKU KOMERCYJNEGO. Nigdy nie używaj urządzenia niezgodnie z jego przeznaczeniem. Urządzenie jest przeznaczone wyłącznie do użycia w gospodarstwie domowym. Nie wolno go używać na zewnątrz.
- Nigdy nie zanurzaj żadnej części urządzenia, przewodu zasilającego lub wtyczki w wodzie ani w żadnej innej cieczy.
- Nie używaj urządzenia, które zostało upuszczone lub posiada widoczne oznaki uszkodzenia.
- Przed czyszczeniem urządzenie musi zostać wyłączone i odłączone od gniazda zasilania.
- Aby rozłączyć, odłącz przewód od gniazda elektrycznego. Nie rozłączaj, pociągając za przewód.
- Nie używać urządzenia z przedłużaczem.
- Stosować wyłącznie akcesoria i dodatki zalecane przez producenta.
- Podczas podgrzewania pożywienia w torebkach FoodSaver należy pamiętać o zanurzeniu ich w lekko podgrzanej wodzie o temperaturze poniżej 75°C (170°F).
- PRODUKTY SPOŻYWCZE W TOREBCE MOŻNA ROZMROZIĆ W KUCHENIE MIKROFALOWEJ, ALE NIE NALEŻY ICH PODGRZEWAĆ. Podczas rozmrażania w kuchenie mikrofalowej produktów spożywczych umieszczonych w torebkach FoodSaver należy pamiętać, by nie przekraczać mocy 180 W, maksymalnego czasu 2 minut i temperatury 70°C (158°F).

### ZACHOWAJ TĘ INSTRUKCJĘ

## System pakowania próżniowego FoodSaver

### Zalety pakowania próżniowego

Kontakt z powietrzem powoduje utratę składników odżywczych i aromatu, a także umożliwia rozwój różnych bakterii, pleśni i drożdży. System pakowania próżniowego FoodSaver usuwa powietrze, zamykając aromat i jakość. Szeroka gama torebek i pojemników FoodSaver zapewnia różne opcje i pozwala na korzystanie ze sprawdzonej metody przechowywania pożywienia, która zapewnia świeżość nawet pięciokrotnie dłużej.

### System FoodSaver to oszczędność czasu i pieniędzy.

- **Mniejsze koszty.** System FoodSaver pozwala na kupowanie hurtowe lub podczas wyprzedaży i pakowanie pożywienia w odpowiednich porcjach bez marnowania go.
- **Oszczędność czasu.** Ugotuj posiłki na cały tydzień i przechowuj je w torebkach FoodSaver.
- **Marynata w kilka minut.** Próżnia otwiera pory pożywienia, co umożliwia doskonale zamarynowanie w zaledwie 20 minut, nie całą noc.
- **Łatwe przyjmowanie gości.** Przygotuj z wyprzedzeniem swoje popisowe danie i spędź więcej czasu z gośćmi.
- **Ciesz się daniami sezonowymi i specjalnymi.** Zachowaj na dłużej nietrwale i rzadko używane składniki.
- **Kontroluj porcje podczas diety.** Pakowanie próżniowe umożliwia dzielenie pożywienia na rozsądne porcje i oznaczanie zawartości tłuszczu na torebkach.
- **Chroń inne przedmioty.** Przechowuj zapasy na wycieczki w góry i łódką, suche i zorganizowane. Chroń polerowane srebro przed zmatowieniem, minimalizując kontakt z powietrzem.

## Akcesoria FoodSaver

Wykorzystaj w pełni urządzenie FoodSaver dzięki łatwym w użytku torebkom, pojemnikom i akcesoriom FoodSaver.

### Torebki i rolki FoodSaver

Torebki i rolki FoodSaver charakteryzują się specjalnymi kanałami, które umożliwiają efektywne odprowadzanie powietrza. Wielowarstwowa konstrukcja czyni je bardzo efektywnymi barierami dla tlenu i wilgoci oraz zapobiega oparzelinom zamrażalnicy. Torebki i rolki FoodSaver są dostępne w różnych rozmiarach.

### Pojemniki FoodSaver

Pojemniki FoodSaver są proste w użytku i doskonale nadają się do pakowania próżniowego delikatnych przedmiotów, takich jak wypieki, płyny i artykuły sypkie.

### Korek FoodSaver

Korki FoodSaver umożliwiają pakowanie próżniowe wina, napojów niegazowanych i olejów. Podnosi to trwałość płynu i zachowuje jego aromat. Nie używaj korka z butelkami plastikowymi.

### Pojemnik do marynowania FoodSaver

Pojemnik do marynowania umożliwia nasycenie pożywienia aromatem w kilka minut, nie godzin. Próżnia ułatwia marynatom przesiąknięcie pożywienia.

### Zamawiania

Aby zamówić torebki, rolki i akcesoria FoodSaver, odwiedź witrynę [www.foodsaver europe.com](http://www.foodsaver europe.com) i wybierz region.

# Części

Patrz rysunek 1:

- |                                    |   |
|------------------------------------|---|
| <b>A</b> Uszczelka górna           | <b>L</b> Przycisk regulacji prędkości             |
| <b>B</b> Gilotyna do rolek         | <b>M</b> Lampki prędkości (niska/normalna/wysoka) |
| <b>C</b> Pasek gilotyiny do rolek  | <b>N</b> Przycisk pojemnika/akcesoriów            |
| <b>D</b> Uszczelka dolna           | <b>O</b> Przycisk typu pożywienia                 |
| <b>E</b> Pasek uszczelniający      | <b>P</b> Lampka pożywienia suchego                |
| <b>F</b> Zdejmowana tacka ochronna | <b>Q</b> Lampka pożywienia wilgotnego             |
| <b>G</b> Schowek na rolkę          | <b>R</b> Przycisk próżni pulsacyjnej              |
| <b>H</b> Zatrask                   | <b>S</b> Przycisk szybkiego uszczelniania         |
| <b>I</b> Panel sterowania          | <b>T</b> Przycisk uszczelniania                   |
| <b>J</b> Przyłącze akcesoriów      | <b>U</b> Lampka zasilania                         |
| <b>K</b> Przewód akcesoriów        |   |

## Przygotowywanie torebki z rolki FoodSaver

Możesz wykonać własne torebki o odpowiednich rozmiarach z rolki FoodSaver. Patrz rys. 2:

- Podłącz urządzenie do pakowania próżniowego do gniazdka zasilania. Przesuń zatrask **H** do pozycji otwartej (☞) i otwórz wieczko. Jeśli jeszcze tego nie zrobiłeś, włóż rolkę FoodSaver do schowka **G**, podnieś gilotynę rolki **C** i wsuń końcówkę rolki pod gilotynę. Wyciągnij końcówkę rolki, tak aby około 10 mm rolki zachodziło na pasek uszczelniający **E**.
- Zamknij wieczko i przesuń zatrask **H** do pozycji zamkniętej (☜). Naciśnij przycisk uszczelniania **S**. Gdy zgaśnie lampka uszczelniania, otwórz wieczko. Końcówka rolki została uszczelniona.
- Wyciągnij rolkę do długości odpowiedniej do pakowanego przedmiotu. Dodaj kolejne 75 mm, aby umożliwić uszczelnienie torebki, a następnie przesuń gilotynę rolki **B**, aby ją przeciąć.

Możesz rozpocząć korzystanie z urządzenia do pakowania próżniowego (patrz *Korzystanie z urządzenia do pakowania próżniowego*).

## Korzystanie z urządzenia do pakowania próżniowego

Patrz rys. 3:

- Włóż przedmiot do zapakowania do torebki. Możesz użyć gotowej torebki FoodSaver lub zrobić własną z rolki FoodSaver.
- Umieść otwartą końcówkę torebki w gnieździe tacki ochronnej **F**.
- Zamknij wieczko i przesuń zatrask **H** do pozycji zamkniętej (☜).
- Jeśli to konieczne, naciśnij przycisk prędkości **L**, aby wybrać wysokie, normalne lub niskie ustawienie prędkości. Wybierz niską prędkość dla delikatnych dań, normalną dla średniej wielkości torebek, pojemników i akcesoriów i dużą dla większych torebek i pojemników.

- W przypadku pakowania dań wilgotnych i soczystych, naciśnij raz przycisk typu pożywienia **O** (zapali się lampka wilgotnego pożywienia **Q**). W przypadku suchego pożywienia upewnij się, że zapalona jest lampka suchego pożywienia **P** (ustawienie domyślne).
- Naciśnij przycisk uszczelniania **T**. Urządzenie FoodSaver rozpocznie usuwanie powietrza z torebki. Gdy lampka próżni zgaśnie, rozpocznie się uszczelnianie torebki (zapali się lampka postępu uszczelniania).
- Proces zakończy się po zgaśnięciu lampki postępu uszczelniania.

### Uszczelnianie torebki bez usuwania powietrza

Aby uszczelnić torebkę bez usuwania powietrza, naciśnij przycisk szybkiego uszczelniania **S** (proces zakończy się po zgaśnięciu lampki uszczelniania). Umożliwia to uszczelnianie torebek służących do przechowywania chipsów, nachosów itp.

### Korzystanie z przycisku próżni pulsacyjnej

Niektóre przyciski, takie jak wypieki, chleb, ciastka itp. mogą zostać zmiażdżone podczas usuwania powietrza. Aby temu zapobiec, użyj przycisku próżni pulsacyjnej **R** w następujący sposób:

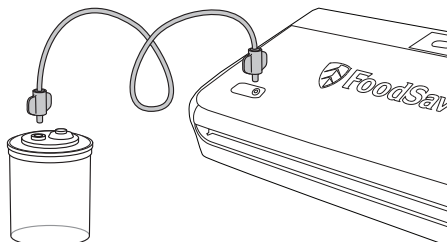
- Wykonaj kroki 1, 2, 3, 4 i 5 procedury *Korzystanie z urządzenia do pakowania próżniowego*.
- Naciśnij i przytrzymaj przycisk próżni pulsacyjnej **R** zgodnie z potrzebami. Pompa próżniowa będzie działać tylko przy naciśniętym przycisku. Puść przycisk przed zmiażdżeniem pożywienia. Natychmiast zatrzyma to usuwanie powietrza.
- Naciśnij przycisk szybkiego uszczelniania **S** natychmiast po usunięciu powietrza. Zapali się lampka uszczelniania. Proces zakończy się po zgaśnięciu lampki postępu uszczelniania.

**UWAGA:** Jeśli pompa próżniowa zatrzyma działanie przy naciśniętym przycisku próżni pulsacyjnej, oznacza to osiągnięcie maksymalnej próżni.

### Korzystanie z akcesoriów FoodSaver

- Włóż jeden koniec przewodu akcesoriów **K** do przyłącza akcesoriów **J** urządzenia FoodSaver. Włóż drugi koniec przewodu do przyłącza na akcesorium i upewnij się, że został odpowiednio podłączony. Postępuj zgodnie z instrukcjami dołączonymi do akcesorium FoodSaver.
- Zamknij wieczko i przesuń zatrask **H** do pozycji zamkniętej (☜).
- Naciśnij przycisk pojemnika/akcesorium **N**. Proces zakończy się po zgaśnięciu lampki postępu.

**UWAGA:** Czas potrzebny na usunięcie powietrza z akcesorium różni się w zależności od wielkości akcesorium.





# Przewodnik, wskazówki i porady dotyczące przechowywania

## Pakowanie próżniowe i bezpieczeństwo pożywienia

Proces pakowania próżniowego przedłuża trwałość pożywienia, usuwając większość powietrza z uszczelnionego pojemnika, redukując utlenianie obniżające wartość odżywczą, aromat i ogólną jakość. Usunięcie powietrza może także zapobiegać rozwojowi mikroorganizmów, które mogą powodować problemy w określonych warunkach:

Bezpieczne przechowywanie pożywienia wymaga zachowania niskiej temperatury. Rozwój mikroorganizmów można znacznie ograniczyć w temperaturze 4°C i niższej.

Zamrażanie w temperaturze -17°C nie zabija mikroorganizmów, ale zatrzymuje ich rozwój. W przypadku przechowywania długoterminowego należy zamrozić nietrawale pożywienie przez zapakowaniem próżniowym i przechowywać je w lodówce po rozmrożeniu.

Należy pamiętać, że pakowanie próżniowe NIE zastępuje przechowywania w puszkach i nie odwraca pogarszania się jakości pożywienia. Może jedynie spowolnić zmianę jakości. Trudno jest przewidzieć, jak długo pożywienie zachowa idealny aromat, wygląd i teksturę, ponieważ zależy to od wieku i stanu pożywienia w momencie pakowania próżniowego.

Pożywienie	Okres przechowywania
Wołowina, wieprzowina, jagnięcina, drób	2-3 lata
Mięso mielone	1 rok
Ryby	2 lata
Sery twarde (cheddar, parmezan, edam, gouda itp.)	4-8 miesięcy
Szparagi, brokuły, marchew, kalafior, kapusta, brukselka, fasolka, groszek, kukurydza itp.	2-3 lata
Salata, szpinak itp.	2 tygodnie
Brzoskwinie, śliwki, morele, nektarynki itp.	1-3 lata
Jagody miękkie (maliny, jeżyny, truskawki itp.)	1 tydzień
Jagody twarde (jagody, żurawina itp.)	2 tygodnie
Chleb, bułki, drożdżówki	1-3 lata
Orzechy i nasiona	2 lata
Kawa ziarnista	1 rok
Kawa mielona	5-6 miesięcy
Artykuły sypkie (cukier, mąka itp.)	1-2 lata
Sosy, zupy, potrawy itp.	1-2 lata
Artykuły suche (groch, makaron, ryż, ziarna itp.)	1-2 lata
Chipsy ziemniaczane, ciastka, krakersy itp.	3-6 tygodni

**WAŻNE:** Pakowanie próżniowe NIE zastępuje zamrażania i chłodzenia. Wszelkie nietrawne pożywienie wymagające chłodzenia należy nadal przechowywać w lodówce lub zamrażarce po zapakowaniu próżniowym. Aby uniknąć potencjalnych chorób, nie należy używać ponownie torebek, w których przechowywane było surowe mięso, surowe ryby lub tłuste pożywienie. Nie używać ponownie torebek, które były podgrzewane w kuchence mikrofalowej lub wodzie.

### Rozmrażanie i ponowne podgrzewanie pakowanego pożywienia

POŻYWIENIE W TOREBCE MOŻNA ROZMROZIĆ, ALE NIE NALEŻY PODGRZEWAĆ GO W KUCHENCIE MIKROFALOWEJ.

**Rozmrażanie** — pożywienie należy zawsze rozmrażać w lodówce lub kuchence mikrofalowej. Nie rozmrażać nietrawnego pożywienia w kuchence mikrofalowej.

Przed umieszczeniem torebki w kuchence mikrofalowej należy pamiętać o odcięciu jej narożnika. Zalecamy umieszczenie torebki w naczyniu przeznaczonym do użytku w kuchence mikrofalowej, aby zapobiec rozlaniu płynów.

**Podgrzewanie** — aby podgrzać pożywienie w kuchence mikrofalowej, należy wyjąć je z torebki i umieścić w naczyniu przeznaczonym do użytku w kuchence mikrofalowej.

Pożywienie można podgrzewać także w torebkach FoodSaver, zanurzając je w lekko podgrzanej wodzie o temperaturze poniżej 75°C (170°F). Należy upewnić się, że pożywienie zostało podgrzane w całości.

Miejsce przechowywania	Uwagi
Zamrażarka	Zamrozić wstępnie wilgotne pożywienie przed pakowaniem próżniowym. Można też umieścić złożony ręcznik papierowy między pożywieniem i krańcem torebki, aby wchłonąć nadmiar płynu. Należy pamiętać o pozostawieniu 75 mm miejsca za ręcznikiem, aby umożliwić utworzenie uszczelnienia. Uwaga: Ze względu na brak tlenu wołowina może zmienić kolor na ciemniejszy po zapakowaniu próżniowym. Nie jest to oznaka zepsucia.
Zamrażarka	
Zamrażarka	
Lodówka	Aby zachować świeżość sera, zapakuj go próżniowo po każdym użyciu. Zastosuj torebki dłuższe o 25 mm na każde nowe uszczelnienie. NIGDY nie pakuj próżniowo serów miękkich.
Zawsze przechowywać w zamrażarce	Przed zapakowaniem zblanszuj warzywa, aby je ugotować na twardo. Zamroź przed zapakowaniem. Rozdziel podczas mrożenia, aby zapobiec sklejeniu warzyw przy pakowaniu. NIGDY nie pakuj próżniowo świeżych grzybów.
Lodówka	Umyj i osusz. Aby uzyskać najlepsze wyniki, użyj pojemnika FoodSaver.
Zamrażarka	Zamroź wstępnie miękkie owoce i jagody przed zapakowaniem. Rozdziel podczas mrożenia, aby zapobiec sklejeniu owoców przy pakowaniu.
Lodówka	
Lodówka	
Zamrażarka	Zalecamy zastosowanie pojemnika FoodSaver w celu uniknięcia zmiążdżenia. Można także zamrozić je wstępnie do momentu stwardnienia..
Spizarnia	Aby zapobiec wciągnięciu cząstek pożywienia do pompy próżniowej, umieść filtr do kawy lub papierowy ręcznik na torebce lub pojemniku przed zapakowaniem próżniowym. Możesz także umieścić pożywienie w oryginalnym opakowaniu w torebce FoodSaver.
Spizarnia	
Spizarnia	
Spizarnia	
Zamrażarka	Zamroź wstępnie w odpowiednim pojemniku do momentu stwardnienia. Usuń zamrożony płyn i zapakuj próżniowo w torebce FoodSaver.
Spizarnia	Aby uzyskać najlepsze wyniki, użyj pojemnika FoodSaver do delikatnych przedmiotów, takich jak krakersy.
Spizarnia	

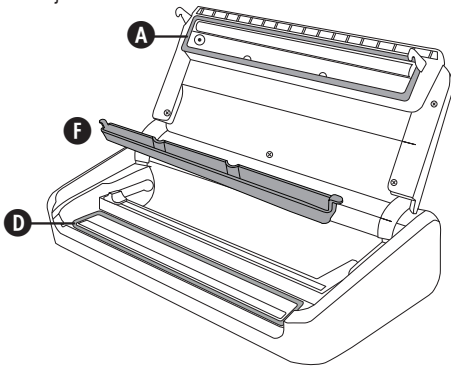
## Konserwacja i czyszczenie

Nie zanurzaj urządzenia, przewodu ani wtyczki w wodzie ani w żadnej cieczy. Zawsze odłączaj urządzenie od gniazdka przed czyszczeniem.

Przetrzyj obudowę urządzenia miękką, suchą szmatką.


Zdejmij i opróżnij tacę ochronną **F** po każdym użyciu. Umyj ją w ciepłym wodzie z mydłem lub na górnej półce zmywarki. Dokładnie wysusz przed ponownym zamontowaniem.

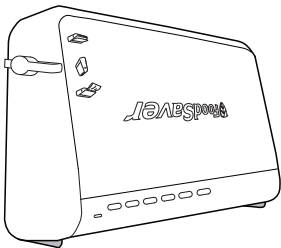
Sprawdź uszczelkę górną **A**, uszczelkę dolną **D** i okolice tacy ociekowej, aby upewnić się, że nie pozostały na nich resztki żywności. W razie potrzeby wytrzeć uszczelki szmatką zwilżoną ciepłą wodą z detergentem. Uszczelki można wyjmować do mycia. Do mycia użyć ciepłej wody z detergentem. Dokładnie wysuszyć i ostrożnie ponownie włożyć na miejsce.



Aby urządzenie FoodSaver działało efektywnie, zalecamy wymianę uszczelki raz w roku. Aby zamówić części zamienne, odwiedź stronę [www.foodsavereurope.com](http://www.foodsavereurope.com).

## Przechowywanie

1. Zamknij wieczko i przesunź zatrzask **H** do pozycji przechowywania (). Zabezpiecza to wieczko, ale nie ścisną uszczelki (co może prowadzić do nieprawidłowej pracy urządzenia).
2. Podnieś przednią część urządzenia i ustaw je na stopce do przechowywania, w pozycji pionowej.



## Garantee

Zachowaj dowód zakupu, ponieważ będzie on wymagany w przypadku jakichkolwiek roszczeń z tytułu niniejszej gwarancji.

Urządzenie jest objęte 2-letnią gwarancją obowiązującą od dnia dokonania zakupu, zgodnie z opisem w niniejszym dokumencie.

Jeśli podczas trwania gwarancji okaże się, co jest mało prawdopodobne, że urządzenie nie działa z powodu wad projektowych lub produkcyjnych, należy je przynieść do miejsca dokonania zakupu wraz z dowodem zakupu oraz egzemplarzem niniejszej gwarancji.

Prawa i korzyści wynikające z niniejszej gwarancji stanowią dodatek do praw ustawowych, których niniejsza gwarancja nie narusza. Prawo do zmiany warunków gwarancji ma wyłącznie Jarden Consumer Solutions (Europe) Ltd. („JCS (Europe)”).

JCS (Europe) zobowiązuje się do bezpłatnej naprawy lub wymiany urządzenia lub jego niedziałającej części w okresie objętym gwarancją, pod warunkiem że:

- klient niezwłocznie poinformuje o problemie sklep, w którym dokonał zakupu lub JCS (Europe)
- urządzenie nie zostało w żaden sposób zmienione, uszkodzone, użytkowane w niewłaściwy sposób, ani nie było naprawiane lub zmieniane przez osobę nieupoważnioną przez JCS (Europe).

Gwarancją nie są objęte usterki wynikające z nieprawidłowego użytkowania, uszkodzenia, używania nieprawidłowego napięcia, zdarzeń losowych, zdarzeń niezależnych od JCS (Europe), naprawy lub wymiany przez osobę nieupoważnioną przez JCS (Europe) lub z powodu niestosowania się do instrukcji obsługi. Ponadto gwarancja nie obejmuje naturalnego zużycia eksploatacyjnego, w tym m.in. drobnych przebarwień i zarysowań.

W ramach niniejszej gwarancji prawa przysługują wyłącznie nabywcę urządzenia i nie rozciągają się na użytkowanie komercyjne lub wspólne.

Jeśli urządzenie objęte jest gwarancją lub rękojmią obowiązującą w danym kraju, należy uznać, że zawarte w nich warunki są nadrzędne w stosunku do niniejszej gwarancji lub skontaktować się z lokalnym autoryzowanym sprzedawcą, aby uzyskać więcej informacji.

Nie należy wyrzucać zużytych artykułów elektrycznych razem z odpadami domowymi. Należy je, w miarę możliwości, poddać recyklingowi. W celu uzyskania szczegółowych informacji na temat recyklingu lub dyrektywy WEEE, skontaktuj się z nami pod adresem [enquiriesEurope@jardencs.com](mailto:enquiriesEurope@jardencs.com).

Jarden Consumer Solutions (Europe) Limited  
5400 Lakeside  
Cheadle Royal Business Park  
Cheadle  
SK8 3GQ  
United Kingdom



# Rozwiązywanie problemów

Problem	Rozwiązanie
Lampka szybkiego uszczelniania miga podczas próby uszczelnienia.	Przy aktywnym stosowaniu zapobiega to przegrzaniu urządzenia. W takim przypadku należy odczekać 20 minut na ostygnięcie urządzenia. Podczas użytkowania należy zawsze odczekać co najmniej 20 sekund przed rozpoczęciem pakowania kolejnego przedmiotu.
Pompa działa przez ponad 2 minuty bez usuwania powietrza.	Upewnij się, że otwarta końcówka torebki została włożona do tacy ochronnej w obszarze dolnej uszczelki. Upewnij się, że obie uszczelki są poprawnie zamontowane i nie są uszkodzone. Upewnij się, że co najmniej jedna strona torebki jest uszczelniona. Otwórz urządzenie i upewnij się, że na uszczelkach nie ma obcych przedmiotów, zabrudzeń i zanieczyszczeń. Upewnij się, że w górnej części torebki pozostało miejsce (75 mm) umożliwiające włożenie jej do tacy ochronnej przy zamkniętym i zablokowanym wieczku. Upewnij się, że nie podłączono przewodu akcesoriów. Upewnij się, że wieczko jest całkowicie zamknięte, a zatrzask znajduje się w pozycji zamkniętej.
Torebka nie jest prawidłowo uszczelniana.	W punkcie uszczelnienia na torebce występuje wilgoć lub tłuszcz. Usuń nadmiar wilgoci czystym, suchym ręcznikiem papierowym. W torebce znajduje się zbyt wiele płynu. Zamroź zawartość torebki przed usunięciem powietrza. Na linii uszczelnienia występuje zagięcie. Delikatnie rozciągnij torebkę w poziomie, wkładając ją do tacy ochronnej. Przytrzymaj ją do momentu uruchomienia pompy próżniowej. Jeśli działania te zostały wykonane, a torebka nadal nie jest uszczelniona, utwórz drugie uszczelnienie nad pierwszym.
Zamknięcie wieczka i naciśnięcie przycisku uszczelniania lub szybkiego uszczelniania nie prowadzi do żadnych działań.	Upewnij się, że wieczko jest całkowicie zamknięte, a zatrzask znajduje się w pozycji zamkniętej.
Lampka zasilania gaśnie przy zamkniętym wieczku i zatrzasku w pozycji zamkniętej.	Jeśli urządzenie pozostaje bezczynne przez 12 minut, przechodzi w tryb uśpienia, a wszystkie lampki pozostają wyłączone. Naciśnij odpowiedni przycisk funkcji, aby powrócić do danego trybu (np. uszczelniania).

## Důležitá bezpečnostní opatření

Toto zařízení mohou používat děti od 8 let, osoby s tělesným, senzoryckým a mentálním hendikepem a nezkušení uživatelé za předpokladu, že budou pod dohledem nebo poučení o bezpečném použití zařízení a rizicích souvisejících s jeho používáním, a tomuto poučení porozumí. Děti si nesmí se zařízením hrát. Děti smí provádět údržbu zařízení pouze pod dohledem.

Je-li napájecí kabel poškozen, je nutné, aby jeho výměnu provedl výrobce, jeho servisní zástupce nebo obdobně kvalifikovaná osoba, aby nedošlo k ohrožení.

- Zařízení vždy používejte na stabilním, bezpečném, suchém a rovném povrchu.
- **POZOR: TATO VAKUOVAČKA NENÍ URČENA PRO KOMERČNÍ VYUŽITÍ.** Nikdy nepoužívejte toto zařízení k jinému účelu, než k jakému je určeno. Toto zařízení je určeno pouze pro domácí použití. Nepoužívejte toto zařízení venku.
- Nikdy neponořujte jakoukoli část zařízení, napájecí kabel nebo zástrčku do vody či jiné tekutiny.
- Pokud na zařízení v důsledku pádu upozorujete poškození, přestaňte zařízení používat.
- Po použití a před čištěním zařízení se ujistěte, že je zařízení vypnuté a není zapojeno do zásuvky.
- Chcete-li vakuovačku odpojit od přívodu elektrické energie, vytáhněte napájecí kabel ze zásuvky. Zařízení neodpojujte škrabnutím za kabel, ale opatrným vytažením zástrčky ze zásuvky.
- Nepoužívejte prodlužovací šňůry.
- Používejte pouze příslušenství a doplňky doporučené výrobcem.
- Pokud ohříváte potraviny uložené v sáčcích FoodSaver, vložte je do mírně vroucí vody o teplotě nižší než 75 °C.
- **POTRAVINY UVNITŘ SÁČKŮ MŮŽETE ROZMRAZOVAT V MIKROVLNNÉ TROUBĚ, NIKOLI VŠAK V TROUBĚ OHŘÍVAT.** Jestliže rozmrazujete potraviny v sáčcích FoodSaver v mikrovlnné troubě, nastavte výkon nejvýše 180 W (rozmrazování) a rozmrazujte nejdéle 2 minuty. Teplota nesmí přesáhnout 70 °C.

**TENTO NÁVOD K POUŽITÍ PEČLIVĚ USCHOVEJTE**

## Vakuová balíčka FoodSaver

### Proč vakuovat?

Když přicházejí potraviny do styku se vzduchem, ztrácejí nutriční hodnoty a chuť. Navíc se stávají živnou půdou pro rozličné typy bakterií, plísní a kvasinek. Vakuová balíčka FoodSaver odstraňuje vzduch a uchovává původní kvalitu a chuť vašich potravin. S pestrou škálou sáčků a nádob FoodSaver máte na výběr nepřeberně množství způsobů, jak využít výhod této vědecky prokázané metody skladování, jež udrží vaše potraviny čerstvé až pětkrát déle.

## Systém FoodSaver šetří čas i peníze

- **Neutrácejte, když nemusíte.** Díky systému FoodSaver můžete nakupovat ve velkém nebo ve výprodejích a vakuově zabalit potraviny po libovolně velkých porcích. Neplýtvajte jídlem!
- **Ušetřete si čas.** Navařte si na týden dopředu a uložte si jídlo do sáčků FoodSaver.
- **Marinujte během pár minut.** Vakuové balení otevře póry v potravinách, takže dosáhnete výtečné marinované chuti již za 20 minut. Už nemusíte čekat celou noc.
- **Věnujte se hostům.** Připravte si své vyšperkované jídlo dopředu a místo toho, abyste stáli u plotny, se věnujte svým hostům.
- **Vychutnejte si sezónní jídla i speciality.** Uchovejte zřídka používané ingredience nebo potraviny rychle podléhající zkáze déle čerstvé.
- **Kontrolujte porce při dietách.** Vakuově si zabalte odměřenou porci a na sáčky napište množství kalorií a tuku.
- **Chraňte různé předměty.** Ochraňte výbavu na kempování nebo na loď před vlhkem a uspořádejte si věci na výlet. Stejně tak můžete ochránit leštěné stříbro před zmatněním, když minimalizujete jeho kontakt se vzduchem.

## Příslušenství FoodSaver

Využijte svou vakuovačku FoodSaver na maximum – se sáčky, nádobami a příslušenstvím FoodSaver.

### Sáčky a fólie FoodSaver

Sáčky a fólie FoodSaver se vyznačují speciálními kanálky umožňujícími efektivní odvod vzduchu. Vícevrstvá konstrukce z nich činí obzvláště účinnou bariéru vůči kyslíku a vlhkosti a pomáhá předejít spálení mrazem. Sáčky a fólie FoodSaver jsou dostupné v mnoha různých velikostech.

### Nádoby FoodSaver

Nádoby FoodSaver se snadno používají a jsou ideální pro vakuové balení křehkých potravin, jako jsou například muffiny či jiné pečivo, nebo tekutiny a sušené potraviny.

### Zátka FoodSaver

Zátky FoodSaver můžete použít k vakuovému uchování vína, neperlivých vod a olejů. Prodloužíte tak trvanlivost nápoje a zachováte jeho senzorycké vlastnosti. Zátky nepoužívejte u plastových lahví.

### Rychlý marinovač FoodSaver

Rychlý marinovač dodá potravinám požadovanou chuť během několika minut. Díky vakuové síle nemusíte čekat dlouhé hodiny, než se marináda dostane hluboko do jídla.

### Jak objednat

Jestliže si chcete objednat sáčky, fólie a další příslušenství FoodSaver, navštivte webové stránky [www.foodsavereurope.com](http://www.foodsavereurope.com) a vyberte svou zemi.

# Části

Viz Obr. 1

- |  |  |
|--|--|
| <b>A</b> Horní těsnění                     | <b>L</b> Tlačítko pro nastavení rychlosti                        |
| <b>B</b> Řezačka                           | <b>M</b> Kontrolky nastavení rychlosti (nízká, normální, vysoká) |
| <b>C</b> Řezací lišta                      | <b>N</b> Tlačítko pro nádobu/příslušenství                       |
| <b>D</b> Dolní těsnění                     | <b>O</b> Tlačítko pro volbu typu potravin                        |
| <b>E</b> Svářecí pásek                     | <b>P</b> Kontrolka pro suché potraviny                           |
| <b>F</b> Vyjímatelná odkapávací vanička    | <b>Q</b> Kontrolka pro vlhké potraviny                           |
| <b>G</b> Zásobník fólie                    | <b>R</b> Tlačítko pro pulzní vakuování                           |
| <b>H</b> Západka                           | <b>S</b> Tlačítko pro okamžité svaření                           |
| <b>I</b> Ovládací panel                    | <b>T</b> Tlačítko pro vakuování a svaření                        |
| <b>J</b> Otvor pro připojení příslušenství | <b>U</b> Kontrolka napájení                                      |
| <b>K</b> Hadička (příslušenství)           |  |

## Jak vytvořit sáček z fólie FoodSaver

Z fólie FoodSaver můžete vyrobit své vlastní sáčky požadované velikosti. Prohlédněte si Obr. 2:

1. Zapojte vakuovačku do zásuvky. Přesuňte západku **H** do polohy otevřeno (☞) a otevřete víko. Pokud jste tak dosud nečinili, vložte fólii FoodSaver do zásobníku **G** zvedněte řezací lištu **C** a protáhněte pod ní folii. Fólii protáhněte tak, aby alespoň 10 mm přečnívala přes svářecí pásek **E**.
2. Zavřete víko a přesuňte západku **H** do polohy zavřeno (☞). Stiskněte tlačítko pro okamžité svaření **S**. Jakmile kontrolka svařování zhasne, otevřete víko. Konec fólie je svařeno.
3. Nyní vytáhněte tolik fólie, kolik budete potřebovat pro uchování balené věci. Přidejte ještě 75 mm, aby bylo možné sáček svařit, a poté pomocí řezačky **B** fólii uřízněte.

Nyní můžete vakuovačku začít používat (přečtěte si kapitolu *Jak používat vakuovou baličku*).

## Jak používat vakuovou baličku

Prohlédněte si Obr. 3:

1. Vložte potravinu nebo předmět do sáčku. Můžete použít připravené sáčky FoodSaver nebo si vyrobit své vlastní z fólie FoodSaver.
2. Otevřený konec sáčku vložte do otvoru v odkapávací vaničce **F**.
3. Zavřete víko a přesuňte západku **H** do polohy zavřeno (☞).
4. Pomocí tlačítka pro nastavení rychlosti **L** můžete nastavit vysokou, normální nebo nízkou rychlost. Při balení křehkých potravin zvolte nízkou rychlost, u veškerého příslušenství, sáčků a nádob běžné velikosti normální rychlost, a vysokou rychlost pro velké sáčky a nádoby.
5. Pokud balíte vlhké a šťavnaté potraviny, stiskněte jednou tlačítko pro nastavení typu potravin **O** (rozsvítí se kontrolka pro vlhké potraviny **Q**). U suchých potravin zkontrolujte, že svítí kontrolka pro suché potraviny **P** (toto je výchozí nastavení).

6. Stiskněte tlačítko pro vakuování a svaření **T**. Vakuovačka FoodSaver nyní začne odsávat vzduch ze sáčku. Jakmile kontrolky průběhu vakuování zhasnou, sáček se začne zatavovat (rozsvítí se kontrolka svařování).
7. Jakmile kontrolka svařování zhasne, proces je dokončen.

### Svaření sáčku bez odsání vzduchu

Chcete-li svařit sáček, aniž byste odsáli vzduch, stiskněte tlačítko pro okamžité svaření **S** (jakmile kontrolka svařování zhasne, proces je dokončen). Můžete svařovat obaly používané k balení pochutin, jako jsou bramborové lupínky, tortillové chipsy apod.

### Jak použít tlačítko pro pulzní vakuování

Některé druhy potravin jako například cukroví, chléb, sušenky apod. by se mohly vakuováním poničit. Abyste tomu předešli, použijte tlačítko pro pulzní vakuování **R**.

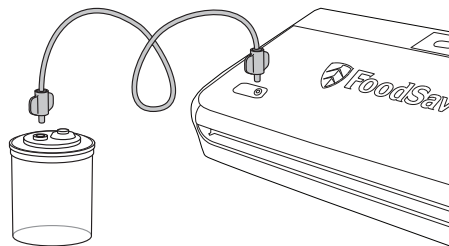
1. Postupujte podle kroků 1, 2, 3, 4 a 5 popsanych v kapitole Jak používat vakuovou baličku.
2. Stiskněte a dle potřeby podržte tlačítko pro pulzní vakuování **R**. Vakuová pumpa bude pracovat, dokud tlačítko neuvolníte. Uvolněte tlačítko, ještě než se na pečivu objeví praskliny. Tím okamžitě zastavíte odvod vzduchu.
3. Ihned po dokončení vakuování stiskněte tlačítko pro okamžité svaření **S**. Rozsvítí se kontrolka svařování. Jakmile kontrolka svařování zhasne, proces je dokončen.

**POZNÁMKA:** Pokud vakuová pumpa přestane pracovat, když držíte tlačítko pro pulzní vakuování, znamená to, že jste již odsáli veškerý vzduch.

### Jak používat příslušenství FoodSaver

1. Připojte jeden konec hadičky **K** do otvoru **J** ve vakuovačce FoodSaver. Druhý konec hadičky připojte k příslušenství a ujistěte se, že pevně drží. Dodržujte všechny pokyny uvedené v návodu k příslušenství FoodSaver.
2. Zavřete víko a přesuňte západku **H** do polohy zavřeno (☞).
3. Stiskněte tlačítko pro nádobu/příslušenství **N**. Jakmile kontrolka zhasne, proces je dokončen.

**POZNÁMKA:** Čas potřebný k odsání veškerého vzduchu závisí na objemu použitého příslušenství.



# Rady a tipy pro skladování

## Vakuové balení a bezpečnost potravin

Při vakuovém balení se odsaje většina vzduchu z nádoby a tím se prodlouží životnost skladovaných potravin. Nedochozí totiž k tak výrazné oxidaci, která negativně ovlivňuje nutriční hodnoty potravin, jejich aroma, chuť a celkovou kvalitu. Odstraněním vzduchu rovněž zpomalíte množení mikroorganismů, které by za určitých okolností mohly způsobit problémy:

Abyste bezpečně uchováli potraviny, musíte je skladovat při nízkých teplotách. Jestliže potraviny uchováte při teplotě 4 °C a nižší, výrazně tím omezíte množení mikroorganismů.

Při zmrazení na teplotu -17 °C mikroorganismy nezabijete, ale zastavíte jejich růst. Chcete-li potraviny podléhající zkáze uchovat na dlouhou dobu, vakuově je zabalte a zmrazte. Jakmile je později rozmrazíte, uchovávejte je v chladničce.

Mějte na paměti, že vakuové balení NENAHRAZUJE konzervování a nemůže zcela zamezit zkažení potravin. Pouze pomáhá zpomalit kvalitativní změny. Je těžké předvídat, jak dlouho si vakuované potraviny uchovají veškerou svou chuť, vzhled a strukturu, neboť to závisí na jejich stáří a stavu v den vakuového balení.

Potraviny	Doba skladování
Hovězí, vepřové, jehněčí, drůbež	2 až 3 roky
Mleté maso	1 rok
Ryby	2 roky
Tvrdé sýry (čedar, parmezán, eidam, gouda apod.)	4 až 8 měsíců
Chřest, brokolice, mrkev, květák, zelí, kapusta, zelené fazolky, hrášek, kukuřice apod.	2 až 3 roky
Hlávkový salát, špenát apod.	2 týdny
Meruňky, švestky, broskve, nektarinky apod.	1 až 3 roky
Měkké bobule (maliny, ostružiny, jahody apod.)	1 týden
Tvrdé bobule (borůvky, brusinky apod.)	2 týdny
Chléb, bagely, cukroví	1 až 3 roky
Ořechy a semínka	2 roky
Kávéové boby	1 rok
Mletá káva	5 až 6 měsíců
Práškové suroviny (cukr, mouka apod.)	1 až 2 roky
Omáčky, polévky, dušené potraviny apod.	1 až 2 roky
Sušené potraviny (fazole, těstoviny, rýže, obiloviny apod.)	1 až 2 roky
Bramborové lupínky, sušenky, kreky apod.	3 až 6 týdnů

**DŮLEŽITÉ:** Vakuové balení NENAHRAZUJE mrazení potravin ani jejich uchování v chladničce. Veškeré potraviny podléhající zkáze a vyžadující skladování v chladničce musíte po vakuovém zabalení uchovat v chladničce nebo zamrazit. Abyste se vyhnuli zažívacím obtížím, nepoužívejte znovu sáčky, které jste již dříve použili k uchování syrového masa, syrových ryb nebo mastných potravin. Stejně tak nepoužívejte sáčky, které jste ohřívali v mikrovlnné troubě nebo vroucí vodě.

**Rozmrazování a ohřívání vakuově zabalených potravin**  
**POTRAVINY UVNITŘ SÁČKŮ MŮŽETE ROZMRÁZOVAT V**  
**MIKROVLNNÉ TROUBĚ, NIKOLI VŠAK V TROUBĚ OHŘÍVAT.**

**Rozmrazování:** Potraviny vždy rozmrazujte v chladničce nebo mikrovlnné troubě – potraviny podléhající zkáze nikdy nerozmrazujte při pokojové teplotě.

Před vložením vakuově zabalených potravin do mikrovlnné trouby nezapomeňte odstříhnout rožek sáčku. Doporučujeme sáček položit na nádobí vhodné do mikrovlnné trouby, abyste předešli rozliti tekutin uvnitř trouby.

**Opětovné ohřívání:** Chcete-li vakuově balné potraviny ohřát v mikrovlnné troubě, nejprve je vytáhněte ze sáčku a položte na nádobí vhodné do mikrovlnné trouby.

Potraviny vakuově zabalené v sáčcích FoodSaver můžete ohřát i v mírně vroucí vodě o teplotě nižší než 75 °C. Před servírováním se ujistěte, že je jídlo zcela prohřáté.

Místo skladování	Poznámky
Mrazák	Vlhké potraviny před vakuovým balením nejprve částečně zmrazte. Případně mezi potraviny a konec sáčku složte papírovou utěrku, která odsaje přebytečnou tekutinu. Nezapomeňte ponechat alespoň 75 mm místa za utěrkou, aby zůstal dostatek prostoru pro zatavení. Poznámka: Hovězí maso se může zdát po vakuovém zabalení tmavší. Děje se tak kvůli odsátí vzduchu. Nejedná se o vadu či známku zkázy.
Mrazák	
Mrazák	
Chladnička	Aby sýr zůstal čerstvý, po použití jej před vložením zpět do chladničky vždy znovu vakuově zabalte. Sáčky vytvářejte o něco větší – počítejte s tím, že pro každé zatavení potřebujete alespoň 25 mm. NIKDY vakuově nebalte měkké sýry.
Vždy skladujte v mrazáku	Zeleninu před vakuovým zabalením uvařte „na skus“ – aby byla tepelně opracovaná, ale stále křupavá. Před balením ji zmrazte. Při mrazení zeleninu oddělte, aby se jednotlivé kusy při balení nepřichytily k sobě. NIKDY vakuově nebalte čerstvé houby.
Chladnička	Potraviny umyjte a osušte. Nejlepších výsledků dosáhnete při použití nádoby FoodSaver.
Mrazák	Měkké ovoce a bobule před balením nejprve částečně zmrazte. Při mrazení ovoce oddělte, aby se jednotlivé kusy při balení nepřichytily k sobě.
Chladnička	
Chladnička	
Mrazák	Doporučujeme použít nádobu FoodSaver, abyste předešli rozdrocení. Případně ovoce zcela zmrazte (dokud nebude tvrdé).
Spiž	Chcete-li předejít tomu, aby se do vakuové pumpy dostaly částičky jídla, před vakuovým balením položte na horní část sáčku nebo nádoby kávový filtr nebo papírovou utěrku. Potraviny můžete rovněž uložit do původního obalu a teprve pak je s tímto obalem vložit do sáčku FoodSaver.
Spiž	
Spiž	
Spiž	
Mrazák	Potraviny částečně zmrazte ve vhodné nádobě, dokud neztvrdnou. Odstraňte zmrazenou tekutinu a potraviny vakuově zabalte do sáčku FoodSaver.
Spiž	Křehké potraviny jako například krekry nejlépe uchováte v nádobě FoodSaver.
Spiž	



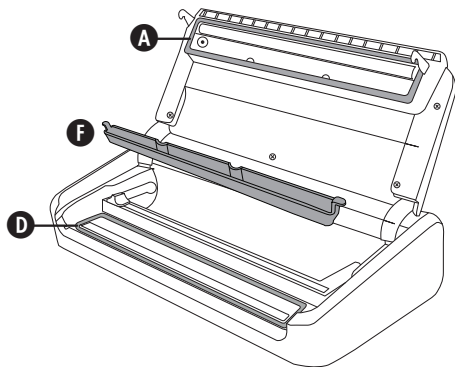
## Údržba a čištění

Základní jednotku, síťový kabel ani zástrčku nikdy neponožujte do vody nebo jiné kapaliny. Před čištěním zařízení vždy odpojte ze zásuvky.

Vnější části zařízení otřete měkkým suchým hadříkem.

Po každém použití vyjměte a vyprázdněte odkapávací vaničku **E**. Omyjte ji v teplé mýdlové vodě nebo vložte do horního košíku v myčce. Před opětovným osazením vaničku důkladně osušte.

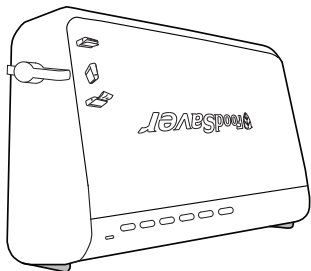
Zkontrolujte horní těsnění **A**, dolní těsnění **D** a těsnění kolem odkapávací vaničky a ujistěte se, že na nich nejsou přichyceny zbytky jídla. V případě potřeby těsnění otřete hadříkem namočeným v teplé mýdlové vodě. Těsnění můžete pro usnadnění čištění vyjmout. Umyjte je teplou mýdlovou vodou. Důkladně je osušte a poté pečlivě nasadte zpět.



Aby vaše vakuová balička FoodSaver fungovala co nejlépe, doporučujeme každý rok vyměnit těsnění. Náhradní díly můžete objednat na webové stránce [www.foodsavereurope.com](http://www.foodsavereurope.com).

## Skladování

1. Zavřete víko a přesuňte západku **H** do polohy pro skladování (F). Tím zajistíte víko, ale současně zabráníte stlačení těsnění (což může mít za následek nesprávnou funkci zařízení).
2. Zvedněte přední část zařízení a postavte ho na výšku na skladovací nožky.



## Záruční list

Ušchovejte si prosím doklad o koupi, bude požadován při případném uplatňování této záruky.

Jak je uvedeno v tomto dokumentu, na toto zařízení se vztahuje záruka 2 roky od data zakoupení.

Pokud během této záruční doby zařízení přestane z důvodu pochybení při výrobě nebo konstrukci fungovat, vraťte je v místě zakoupení. Vezměte s sebou doklad o koupi a kopii tohoto Záručního listu.

Práva a výhody dané touto zárukou doplňují vaše zákonná práva, jež touto zárukou nejsou dotčena. Pouze společnost Jarden Consumer Solutions (Europe) Ltd. („JCS (Europe)“) má právo měnit tyto podmínky.

Společnost JCS (Europe) se zavazuje, že v záruční době zdarma opraví nebo vymění toto zařízení nebo jakoukoli jeho část, jež nebude správně fungovat, a to za předpokladu, že:

- včas vyrozumíte prodejce nebo společnost JCS (Europe) o zjištěném problému; a
- zařízení nebylo žádným způsobem upraveno nebo poškozeno, nesprávně používáno, opravováno či upravováno osobou neautorizovanou společností JCS (Europe).

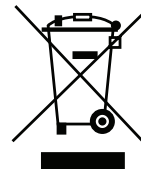
Tato záruka se nevztahuje na závady, jež se vyskytnou v důsledku nesprávného použití, poškození, nešetného zacházení, použití zařízení s nesprávným napětím, přírodních vlivů, událostí mimo kontrolu společnosti JCS (Europe), oprav nebo úprav provedených osobou neautorizovanou společností JCS (Europe) nebo nedodržování návodu k použití. Tato záruka se navíc nevztahuje na běžné opotřebení, jako je mimo jiné i mírné vyblednutí barev či poškrábání zařízení.

Práva daná touto zárukou se vztahují pouze na prvního majitele a nezahnují komerční či komunitní použití zařízení.

Pokud je součástí vašeho zařízení i specifická záruka či garance platná pro danou zemi, platí podmínky této specifické záruky či garance, a nikoliv záruční podmínky uvedené v tomto dokumentu. Další informace vám sdělí místní autorizovaný prodejce.

Elektrická zařízení určená k likvidaci nesmí být zlikvidována jako domovní odpad. Jestliže je to možné, recyklujte prosím. Chcete-li získat více informací o recyklaci a směrnicích WEEE, napište nám na [enquiriesEurope@jardencs.com](mailto:enquiriesEurope@jardencs.com).

Jarden Consumer Solutions (Europe) Limited  
5400 Lakeside  
Cheadle Royal Business Park  
Cheadle  
SK8 3GQ  
United Kingdom



## Odstraňování potíží

Problém	Řešení
Po stisku tlačítka pro okamžité svaření kontrolka svařování bliká.	Při velmi intenzivním používání se může aktivovat ochrana proti přehřátí. Pokud k tomu dojde, nechejte zařízení 20 minut vychladnout. Při vakuovém balení více balíčků mezi jednotlivými balíčky vyčkejte alespoň 20 sekund.
Pumpa pracuje déle než 2 minuty, aniž by odsála vzduch.	Ujistěte se, že otevřený konec sáčku je vložen do odkapávací vaničky v místě, kde se nachází spodní těsnění. Zkontrolujte, zda jsou obě těsnění správně nasazena a že nejsou poškozena. Ujistěte se, že alespoň jeden konec sáčku je zatavený. Otevřete jednotku a zkontrolujte, zda na horním ani dolním těsnění nejsou žádné cizí objekty, špína nebo zbytky jídla. Ověřte, že v horní části sáčku je dostatek místa (75 mm), takže dosáhne až do odkapávací vaničky, když je víko zavřené a zajištěné západkou. Ujistěte se, že není připojena hadička. Zkontrolujte, že je víko zcela zavřené a západka se nachází v poloze zavřeno.
Sáček správně netěsní.	V místě svaření je v sáčku mastnota nebo vlhkost. Pomocí čisté a suché papírové utěrky otřete veškerou vlhkost. V sáčku je příliš mnoho tekutiny. Před vakuovým balením obsah sáčku zmrazte. V místě svaření jsou patrné nerovnosti. Sáček při vkládání do odkapávací vaničky opatrně napněte a držte jej, dokud vakuová pumpa nezačne pracovat. Pokud jste tento krok již učinili a sáček přesto netěsní, svařte jej v jiném místě.
Po zavření víka a stisknutí tlačítka pro vakuování a svaření nebo tlačítka pro okamžité svaření se nic nestane.	Zkontrolujte, že je víko zcela zavřené a západka se nachází v poloze zavřeno.
Po zavření víka a přesunutí západky do polohy zavřeno zhasla kontrolka napájení.	Po 12 minutách nečinnosti se zařízení přepne do pohotovostního režimu a všechny kontrolky zhasnou. Požadovaný režim zařízení aktivujete stiskem odpovídajícího tlačítka (např. vakuování a svaření).

Spotrebič môžu používať deti vo veku od 8 rokov a osoby so zníženými fyzickými, zmyslovými alebo psychickými schopnosťami alebo nedostatkom skúseností a vedomostí, pokiaľ ho používajú pod dohľadom alebo na základe pokynov na používanie tohto spotrebiča bezpečným spôsobom a rozumejú prípadným rizikám. Nenechávajú deti hrať sa so spotrebičom. Čistenie a údržbu zo strany používateľa nemajú vykonávať deti bez dohľadu.

Ak je napájací kábel poškodený, musí ho vymeniť výrobca, servisný technik alebo podobne kvalifikovaná osoba, aby sa predišlo riziku.

- Výrobok vždy používajte na stabilnom, bezpečnom suchom a rovnom povrchu.
- **UPOZORNENIE: TÁTO BALIČKA POTRAVÍN NIE JE URČENÁ NA KOMERČNÉ ÚČELY.** Tento výrobok nikdy nepoužívajte na iný, než určený účel. Výrobok je určený iba pre používanie v domácnosti. Výrobok nepoužívajte vo vonkajšom prostredí.
- Žiadnu časť výrobku ani napájací kábel a zástrčku nikdy neponárajte do vody alebo inej kvapaliny.
- Do not use the appliance if it has been dropped or if there are any visible signs of damage.
- Po použití a pred čistením spotrebiča sa presvedčte, že spotrebič je vypnutý a odpojený od sieťového napájania.
- Ak chcete zariadenie odpojiť zo siete, vytiahnite zástrčku zo zásuvky. Pri vyťahovaní zástrčky neťahajte za kábel.
- Zariadenie nepoužívajte s predlžovacím káblom.
- Používajte len príslušenstvo alebo nadstavce odporúčané výrobcom.
- Ak zohrievate potraviny vo vreckách FoodSaver, vložte ich do mierne vriacej vody s teplotou max. 75 °C (170 °F).
- **POTRAVINY VO VRECKU MOŽNO V MIKROVLNNEJ RÚRE ROZMRAZOVAŤ, ALE NIE ZOHRIEVAŤ.** Pri rozmrazovaní potravín vo vreckách FoodSaver v mikrovlnnej rúre neprekračujte výkon 180 W (nastavenie rozmrazovania), čas rozmrazovania 2 minúty a teplotu 70 °C (158 °F).

### TIETO POKYNY SI ODLOŽTE

### Prečo baliť vákuovo?

Vystavenie potravín vzduchu spôsobuje, že strácajú nutričné hodnoty a chuť a tvoria sa rôzne baktérie, plesne a kvasinky. Vákuová balička potravín FoodSaver odsaje vzduch a uzatvorením sa zachová chuť a kvalita. Vďaka bohatej ponuke vreciek a nádob FoodSaver môžete rozšíriť svoje možnosti a využívať vedecky preukázanú metódu skladovania potravín, pri ktorej potraviny zostávajú čerstvé až päťkrát dlhšie.

### Zariadenie FoodSaver šetrí peniaze aj čas.

- **Miňajte menej peňazí.** Vďaka zariadeniu FoodSaver môžete nakupovať vo veľkom alebo nakupovať potraviny v zľavách a vákuovo zabaliť požadované porcie bez plytvania.
- **Ušetríte viac času.** Navarte si vopred na celý týždeň a pripravené jedlá uložte do vreciek FoodSaver.
- **Marinujte bleskovo.** Vákuovým balením sa rozotiahnu póry potravín, takže marinovanú príchuť dosiahnete už za 20 minút namiesto marinovania celú noc.
- **Zjednodušte si zábavu.** Pripravte znamenité jedlá vopred a tráviť viac zväčšeneho času s hosťami.
- **Vychutnávajte si sezónne alebo špeciálne potraviny.** Udržte rýchlo sa kaziace alebo ojedinele používané potraviny čerstvejšie dlhší čas.
- **Kontrolujte porcie na dodržanie správneho režimu stravovania.** Zabalte do vákuu rozumné porcie a napište na vrecko počet kalórií a obsah tuku.
- **Ochráňte aj ostatné výrobky, nielen potraviny.** Udržte zásoby na kempovanie alebo výlet loďou v suchu a usporiadané počas výletov. Ochráňte leštené striebro pred zäjdením tým, že obmedzíte čas jeho vystavenia vzduchu na minimum.

## Príslušenstvo FoodSaver

Využívajte zariadenie FoodSaver naplno pomocou vreciek, nádob a príslušenstva značky FoodSaver s jednoduchou obsluhou.

### Vrecká a rolky FoodSaver

Vrecká a rolky FoodSaver obsahujú špeciálne kanáliky, ktoré umožňujú účinné odsatie vzduchu. Viacvrstvový dizajn predstavuje mimoriadne efektívnu ochranu pred vzduchom a vlhkom a pomáha zabraňovať vysušeniu mrazom. Vrecká a rolky FoodSaver sú dostupné v rôznych veľkostiach.

### Nádoby FoodSaver

Nádoby FoodSaver sa jednoducho používajú a sú ideálne na vákuové balenie krehkých potravín, napr. muffinov alebo iného pečiva, tekutín a suchých potravín.

### Zátka na fľašu FoodSaver

Zátky na fľašu FoodSaver slúžia na vákuové uzatváranie vína, neperlivých tekutín a olejov. Predlži sa tým životnosť tekutín a zachová sa chuť. Zátka na fľašu nepoužívajte na plastové fľaše.

### Nádoba FoodSaver na rýchle marinovanie

Nádoba na rýchle marinovanie dodá potravinám príchuť už za niekoľko minút namiesto hodín, pretože vo vákuu prenikne marináda hlboko do potravín.

### Objednanie

Ak si chcete objednať vrecká, rolky a príslušenstvo FoodSaver, navštívte lokalitu [www.foodsaver europe.com](http://www.foodsaver europe.com) a vyberte svoju oblasť.

# Súčasti

Pozri obrázok 1

- |  |  |
|--|--|
| <b>A</b> Vrchné tesnenie                   | <b>L</b> Tlačidlo Rýchlosť                             |
| <b>B</b> Rezačka na rolky                  | <b>M</b> Indikátory rýchlosti (Pomaly/Normálne/Rýchlo) |
| <b>C</b> Lišta s rezačkou na rolky         | <b>N</b> Tlačidlo Nádoba/príslušenstvo                 |
| <b>D</b> Spodné tesnenie                   | <b>O</b> Tlačidlo Typ potraviny                        |
| <b>E</b> Zváracia lišta                    | <b>P</b> Indikátor Suché potraviny                     |
| <b>F</b> Vyberateľná odkvapkávacia nádobka | <b>Q</b> Indikátor Vlhké potraviny                     |
| <b>G</b> Priestor na rolky                 | <b>R</b> Tlačidlo Pulzné odsávanie vzduchu             |
| <b>H</b> Západka                           | <b>S</b> Tlačidlo Len zvariť                           |
| <b>I</b> Ovládací panel                    | <b>T</b> Tlačidlo Odsať vzduch a zvariť                |
| <b>J</b> Port na príslušenstvo             | <b>U</b> Indikátor napájania                           |
| <b>K</b> Hadička príslušenstva             |  |

## Ako spraviť z rolky FoodSaver vrecko

Z rolky FoodSaver môžete vyrábať vrecká voliteľných veľkostí. Pozrite si obr. 2:

1. Zapojte vákuovú baličku do siete. Posuňte západku **H** do otvorenej polohy (↔) a otvorte vrchný kryt. Ak ste tak ešte nespravili, vložte rolku FoodSaver do priestoru na rolky **G**, zdvihnite lištu s rezačkou na rolky **C** a zasuňte pod lištu koniec rolky. Potiahnite za koniec rolky tak, aby približne 10 mm rolky prečnievalo cez zväracia lištu **E**.
2. Zatvorte úplne vrchný kryt a presuňte západku **H** do zatvorenej polohy (↔). Stlačte tlačidlo Len zvariť **S**. Keď prestane svietiť indikátor zvrárania, otvorte vrchný kryt. Koniec rolky je zatavený.
3. Vytiahnite požadovanú dĺžku rolky podľa výrobku, ktorý chcete zabaliť. Prípočítajte k tomu 75 mm, aby ste vrecko mohli zvariť, a potom prejdite po rolke rezačkou na rolky **B** a odrežte ju.

Potom môžete začať používať vákuovú baličku (pozri *Používanie vákuovej baličky*).

## Používanie vákuovej baličky

Pozrite si obr. 3:

1. Výrobok, ktorý chcete zabaliť, vložte do vrecka. Môžete použiť buď originálne vrecko FoodSaver, alebo si vyrobiť vlastné z rolky FoodSaver.
2. Otvorený koniec vrecka vložte do otvoru odkvapkávacej nádoby **F**.
3. Zatvorte vrchný kryt a presuňte západku **H** do zatvorenej polohy (↔).
4. V prípade potreby môžete pomocou tlačidla Rýchlosť **L** upraviť nastavenie na Rýchlo, Normálne alebo Pomaly. Nastavenie Pomaly vyberajte pre krehké potraviny; Normálne pre stredne veľké vrecká a nádoby a všetko príslušenstvo; nastavenie Rýchlo je určené pre veľké vrecká a nádoby.

5. Ak balíte potraviny, ktoré sú vlhké alebo veľmi šťavnaté, stlačte raz tlačidlo Typ potraviny **O** (rozsvieti sa indikátor Vlhké potraviny **Q**). Ak balíte suché potraviny, presvedčte sa, či zostal svietiť indikátor Suché potraviny **P** (ide o predvolené nastavenie).
6. Stlačte tlačidlo Odsáť vzduch a zvariť **T**. Zariadenie FoodSaver začne odsávať vzduch z vrecka. Keď zhasne indikátor priebehu odsávania vzduchu, vrecko sa začne zvarovať (rozsvieti sa indikátor priebehu zvrárania).
7. Proces je dokončený, keď zhasne indikátor priebehu zvrárania.

### Zvarenie vrecka bez odsatia vzduchu

Ak chcete zvariť vrecko bez odsatia vzduchu, stlačte tlačidlo Len zvariť **S** (proces je dokončený, keď zhasne indikátor zvrárania). Zvariť môžete vrecká, ktoré sa používajú na balenie občerstvenia, ako sú zemiakové lupienky, tortilové lupienky atď.

### Použitie tlačidla Pulzné odsávanie vzduchu

Niektoré potraviny ako pečivo, chlieb, sušienky atď., sa počas odsávania vzduchu môžu rozdrviť. Aby ste tomu predišli, použite tlačidlo Pulzné odsávanie vzduchu **R** takto:

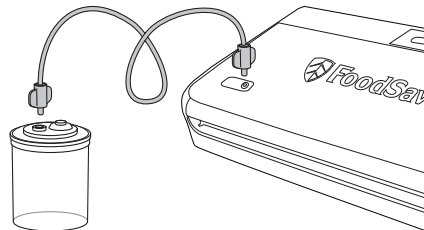
1. Postupujte podľa krokov 1, 2, 3, 4 a 5 v časti *Používanie vákuovej baličky*.
2. Stlačte a podržte tlačidlo Pulzné odsávanie vzduchu **R** podľa potreby. Výveva bude pracovať, len keď stláčate tlačidlo. Uvoľnite tlačidlo, než dôjde k rozdrveniu potravín. Okamžite sa tým zastaví odsávanie vzduchu.
3. Hneď po odsatí vzduchu stlačte tlačidlo Len zvariť **S**. Rozsvieti sa indikátor priebehu zvrárania. Proces je dokončený, keď zhasne indikátor priebehu zvrárania.

**POZNÁMKA:** Ak sa výveva zastaví, keď je stlačené tlačidlo Pulzné odsávanie vzduchu, znamená to, že už nezostal žiadny vzduch na odsávanie.

### Používanie príslušenstva FoodSaver

1. Vložte jeden koniec hadičky príslušenstva **K** do portu na príslušenstvo **J** na zariadení FoodSaver. Druhý koniec hadičky vložte do portu na príslušenstvo a uistite sa, že je poriadne zapojená. Postupujte podľa osobitných pokynov uvedených v návode na používanie príslušenstva FoodSaver.
2. Zatvorte vrchný kryt a presuňte západku **H** do zatvorenej polohy (↔).
3. Stlačte tlačidlo Nádoba/príslušenstvo **N**. Proces je dokončený, keď zhasne indikátor priebehu.

**POZNÁMKA:** Čas potrebný na odsatie všetkého vzduchu z príslušenstva závisí od veľkosti príslušenstva.



# Rady, tipy a triky na uskladnenie

## Vákuové balenie a bezpečnosť potravín

Procesom vákuového balenia sa predlžuje životnosť potravín prostredníctvom odsatia väčšiny vzduchu z utesnenej nádoby, čím sa znižuje oxidácia, ktorá negatívne vplýva na nutričné hodnoty, chuť a celkovú kvalitu potravín. Odsatím vzduchu sa môže navyše spomaliť tvorba mikroorganizmov, ktoré za určitých podmienok spôsobujú problémy:

Ak chcete zachovať bezpečnosť potravín, je dôležité, aby ste ich uskladnili pri nízkych teplotách. Tvorbu mikroorganizmov môžete značne zredukovať pri teplote 4 °C alebo nižšej.

Zamrazením na teplotu – 17 °C sa nezabijajú mikroorganizmy, ale zabráni sa ich šíreniu. V záujme dlhodobého uskladnenia vždy zamrazte rýchlo sa kaziace potraviny vo vákuovom balení a po rozmrazení ich skladujte v chladničke.

Je dôležité poznamenať, že vákuové balenie NENAHRÁDZA konzervovanie a nemôže zabrániť skazeniu potravín. Môže len spomaliť zmeny kvality. Možno len ťažko predpovedať, ako dlho si potraviny udržia prvotriednu chuť, vzhľad alebo textúru, pretože to závisí od čerstvosti a stavu potravín v deň, keď sa vákuovo balili.

Potraviny	Čas skladovania
Hovädzina, bravčovina, jahňacina, hydina	2 – 3 roky
Mleté mäso	1 rok
Ryby	2 roky
Tvrdé syry (čedar, parmezán, eidam, gouda atď.)	4 – 8 mesiacov
Špargľa, brokolica, mrkva, karfiol, kapusta, ružičkový kel, zelené fazuľky, hrášok, kukurica atď.	2 – 3 roky
Šalát, špenát atď.	2 týždne
Marhule, slivky, broskyne, nektárinky atď.	1 – 3 roky
Mäkké bobuľovité ovocie (maliny, černice, jahody atď.)	1 týždeň
Tvrdé bobuľovité ovocie (čučoriedky, brusnice atď.)	2 týždne
Chlieb, bagety, pečivo	1 – 3 roky
Oriešky a semenka	2 roky
Kávové zrná	1 rok
Mletá káva	5 – 6 mesiacov
Práškové potraviny (cukor, múka atď.)	1 – 2 roky
Omáčky, polievky, dusené pokrmy atď.	1 – 2 roky
Sušené potraviny (fazuľa, cestoviny, ryža, obilniny atď.)	1 – 2 roky
Zemiakové lupienky, sušienky, keksy atď.	3 – 6 týždňov

**DÔLEŽITÉ:** Vákuové balenie NENAHRÁDZA chladenie ani zmrazenie. Všetky rýchlo sa kaziace potraviny sa musia po vákuovom zabalení skladovať v chladničke alebo mrazničke. Ak chcete predísť možným chorobám, nepoužívajte opakované vrecká, v ktorých bolo uskladnené surové mäso, surové ryby alebo masť potraviny. Nepoužívajte opakované vrecká, ktoré boli použité v mikrovlnnej rúre alebo namáčané v mierne vriacej vode.

**Rozmrazovanie a zohrievanie vákuovo balených potravín**  
**POTRAVINY VO VRECKU MOŽNO V MIKROVLNNEJ RÚRE**  
**ROZMRAZOVAŤ, ALE NIE ZOHRIEVAŤ.**

**Rozmrazenie** – Potraviny vždy rozmrazujte v chladničke alebo mikrovlnnej rúre. Rýchlo sa kaziace potraviny nerozmrazujte pri izbovej teplote.

Pred vložením do mikrovlnnej rúry nezabudnite odstrihnúť roh vrecka. Odporúčame vám, aby ste vrecko vložili do nádoby vhodnej na použitie v mikrovlnnej rúre, vďaka čomu predídete rozliatiu tekutín.

**Zohrievanie** – Ak chcete zohrievať potraviny v mikrovlnnej rúre, vyberte ich z vrecka a zohrievajte v nádobe vhodnej na použitie v mikrovlnnej rúre.

Potraviny môžete zohrievať aj vo vreckách FoodSaver – vložte ich do mierne vriacej vody s teplotou max. 75 °C (170 °F). Uistite sa, že potraviny sa úplne zohriali aj vo vnútri.

Kde skladovať	Poznámky
Mraznička	Vlhké potraviny pred zabalením do vákuu najskôr zmrazte. Prípadne umiestnite medzi potravinu a koniec vrecka zložený papierový obrúsok, ktorý absorbuje nadbytočnú tekutinu. Nezabudnite nechať 75 mm od papierového obrúska, aby sa mohol spraviť zvar. Poznámka: Hovädzina môže po zabalení do vákuu stmavnúť v dôsledku odsatia kyslíka. Nie je to znamenie znehodnotenia.
Mraznička	
Mraznička	
Chladnička	Ak chcete udržať syr čerstvý, zabaľte ho vákuovo po každom použití. Vytvorte oveľa dlhšie vrecko, aby sa mohlo 25 mm spotrebovať na každý nový zvar. Mäkké syry NIKDY nebaľte vákuovo.
Skladujte vždy v mrazničke	Zeleninu pred zabalením blanširujte, aby sa uvarila, ale zostala ešte chrumkavá. Pred zabalením ju zmrazte. Zabalenú zeleninu skladujte v mrazničke oddelene, aby sa nezlepila dokopy. NIKDY nebaľte do vákuu čerstvé hriby.
Chladnička	Najprv ich umyte a usušte. Najefektívnejšie je balenie do nádob FoodSaver.
Mraznička	Mäkké ovocie a bobulovité plody pred balením zamrazte. Zabalené ovocie skladujte v mrazničke oddelene, aby sa nezlepilo dokopy.
Chladnička	
Chladnička	
Mraznička	Odporúčame používať nádobu FoodSaver, aby sa predišlo rozdrveniu. Prípadne pečivo vopred zmrazte, aby bolo tvrdé.
Špajza	Aby ste zabránili vniknutiu kúskov potravín do výevy, na vrch vrecka alebo nádoby položte pred zabalením do vákuu kávový filter alebo papierový obrúsok. Potraviny môžete uskladňovať vo vreckách FoodSaver aj v ich pôvodnom balení..
Špajza	
Špajza	
Špajza	
Mraznička	Vopred zmrazte vo vhodnej nádobe, aby mali pevnú konzistenciu. Vyberte zamrznutú tekutinu a zabaľte vákuovo do vrecka FoodSaver.
Špajza	Na potraviny, ktoré sa môžu rozdrviť, je najefektívnejšie použiť nádobu FoodSaver.
Špajza	

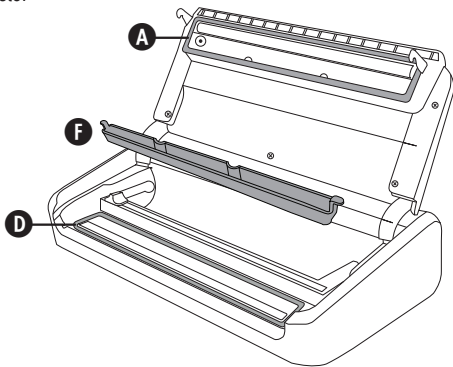
## Starostlivosť a čistenie

Zariadenie ani napájací kábel a zástrčku neponárajte do vody ani žiadnej inej tekutiny. Zariadenie pred čistením vždy odpojte.

Teleso zariadenia utrite mäkkou suchou handričkou.

Po každom použití vyberte a vyprázdňte odkvapkávaciu nádobku **F**. Umyte ju ručne v teplej vode so saponátom alebo na hornej policičke v umývačke riadu. Pred vrátením na miesto ju dôkladne vysušte.

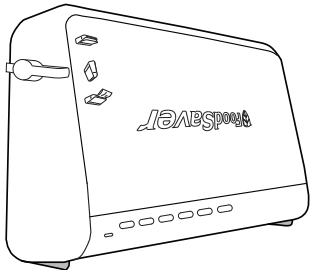
Skontrolujte, či sa na vrchnom tesnení **A**, spodnom tesnení **D** a v okolí odkvapkávacieho podnosu nenachádzajú zvyšky potravín. V prípade potreby utrite tesnenia handričkou namočenou v teplej mydlovej vode. Môžete ich aj zložiť a tak očistiť. Tesnenia očistite v teplej mydlovej vode. Dôkladne ich osušte a potom opatrne vráťte na miesto.



V rámci zaistenia účinného fungovania spotrebiča FoodSaver odporúčame vymieňať tesnenia každý rok. Náhradné tesnenia si môžete objednať prostredníctvom lokality [www.foodsavereurope.com](http://www.foodsavereurope.com).

## Uskladnenie

1. Zatvorte vrchný kryt a presuňte západku **H** do uskladňovacej polohy (H). Vrchný kryt sa tým dostatočne zaistí a zároveň sa nebude vyvíjať nadmerný tlak na tesnenia (čo by mohlo viesť k nesprávnemu fungovaniu zariadenia).
2. Zdvihnite prednú časť zariadenia a postavte ho na nožičky do vzpriamenej polohy.



## Záruka

Doklad o nákupe si uschovajte, bude ho potrebné predložiť v prípade reklamácie podľa tejto záruky.

Na tento spotrebič sa vzťahuje záruka 2 roky od zakúpenia podľa popisu v tomto dokumente.

Ak počas tejto záručnej lehoty spotrebič prestane fungovať kvôli chybe v konštrukcii alebo výrobe, zanešete ho do predajne, kde ste ho zakúpili, spolu s dokladom o nákupe a kópiou tejto záruky.

Práva a výhody vyplývajúce z tejto záruky sú rozšírením vašich zákonných práv, ktoré touto zárukou nie sú dotknuté. Iba spoločnosť Jarden Consumer Solutions (Europe) Ltd. („JCS (Europe)“) má právo tieto podmienky meniť.

Spoločnosť JCS (Europe) sa zaväzuje v rámci záručnej lehoty bezplatne opraviť alebo vymeniť spotrebič alebo ktorúkoľvek jeho časť, ktorá nefunguje správne, pod podmienkou, že:

- o probléme promptne upovedomíte predajňu, kde ste výrobok zakúpili, alebo spoločnosť JCS (Europe) a
- spotrebič nebol nijako pozmenený ani vystavený poškodeniu, nesprávnemu používaniu, zlému zaobchádzaniu, opravám ani zmenám vykonaným osobou, ktorá na to nebola oprávnená spoločnosťou JCS (Europe).

Táto záruka nepokrýva chyby v dôsledku nesprávneho používania, poškodenia, zlého zaobchádzania, používania s nesprávnym napätím, prírodných živlov, udalostí mimo kontroly spoločnosti JCS (Europe), opráv ani zmien vykonaných osobou, ktorá na to nebola oprávnená spoločnosťou JCS (Europe), ani nedodržania pokynov na používanie. Okrem toho táto záruka nepokrýva ani bežné opotrebovanie vrátane (okrem iného) drobnej zmeny farby a škrabancov.

Práva vyplývajúce z tejto záruky platia iba pre pôvodného kupujúceho a nevzťahujú sa na komerčné ani komunálne používanie.

Ak spotrebič obsahuje záruku špecifickú pre danú krajinu alebo vložený záručný list, smerodajné sú podmienky takejto záruky. Viac informácií získate od svojho miestneho autorizovaného predajcu.

Elektrické spotrebiče by sa nemali likvidovať spolu s bežným domácim odpadom. Ak na to existujú príslušné zariadenia, prístroj recyklujte. Ďalšie informácie o recyklovaní a smernici o odpade z elektrických a elektronických zariadení (OEEZ) získate na e-mailovej adrese [enquiriesEurope@jardencs.com](mailto:enquiriesEurope@jardencs.com).

Jarden Consumer Solutions (Europe) Limited  
5400 Lakeside  
Cheadle Royal Business Park  
Cheadle  
SK8 3GQ  
United Kingdom



# Riešenie problémov

Problém	Riešenie
Indikátor Len zvariť bliká pri pokuse o zvarenie.	Tento jav sa vyskytuje pri intenzívnom používaní, aby sa predišlo prehriatiu zariadenia. Počkajte 20 minút, kým zariadenie vychladne. Počas používania vždy počkajte aspoň 20 sekúnd, než začnete vákuovo baliť ďalší výrobok.
Výveva pracuje dlhšie ako 2 minúty, ale neodsáva sa žiadny vzduch.	Uistite sa, že otvorený koniec vrecka je vložený do odkvapkávacej nádoby v oblasti spodného tesnenia. Skontrolujte, či obe tesnenia správne priliehajú a nie sú poškodené. Skontrolujte, či je aspoň jeden koniec vrecka zvarený. Otvorte zariadenie a skontrolujte, či sa na hornom alebo dolnom tesnení nenachádzajú žiadne cudzie telesá, nečistoty alebo zvyšky. Uistite sa, že na vrchu vrecka zostal dostatok priestoru (75 mm), aby vrecko siahalo do odkvapkávacej nádoby so zatvoreným vrchným krytom a západkou. Uistite sa, že nie je pripojená hadička príslušenstva. Uistite sa, že vrchný kryt je úplne zatvorený so západkou v zatvorenej polohe.
Vrecko sa nedá poriadne zvariť.	Vrecko je na mieste zvaru vlhké alebo masťné. Vysušte nadbytočnú vlhkosť čistým, suchým papierovým obrúskom. Vo vrecko je priveľa tekutiny. Pred odsávaním vzduchu zmrazte obsah vrecka. Línia zvaru je pokrčená. Počas vkladania vrecka do odkvapkávacej nádoby ho jemne natiahnite, aby bolo vyrovnané, a vrecko držte v tejto polohe aj počas spustenia vývevy. Ak ste tak už spravili a vrecko sa stále nezvarilo, zvarte ho na novom mieste nad prvým zvarom.
Po zatvorení vrchného krytu a stlačení tlačidla Odsat' vzduch a zvariť alebo Len zvariť sa nič nestane.	Uistite sa, že vrchný kryt je úplne zatvorený so západkou v zatvorenej polohe.
Indikátor napájania zhasol po zatvorení vrchného krytu a presunutí západky do zatvorenej polohy.	Ak zariadenie necháte v nečinnosti 12 minút, prejde do pohotovostného režimu a nebude svietiť žiadny indikátor. Stlačením tlačidla príslušnej funkcie sa zariadenie vráti do požadovaného režimu (napr. Odsat' vzduch a zvariť).



# Instrucțiuni Importante

Acest aparat poate fi utilizat de copii cu vârsta de peste 8 ani și de persoane cu capacități fizice, senzoriale sau mentale reduse sau lipsă de experiență și cunoștințe, cu condiția ca aceștia să fie supravegheați sau instruiți în privința utilizării în siguranță a aparatului și să fi înțeleș pericolele implicate. Copiii nu trebuie să se joace cu acest produs. Curățarea și întreținerea de către utilizator nu vor fi efectuate de copii fără supraveghere.

Pentru evitarea pericolelor, în cazul deteriorării cablului de alimentare, acesta trebuie înlocuit de producător, de personalul autorizat de service sau de alte persoane calificate.

- Utilizați întotdeauna aparatul pe o suprafață stabilă, sigură, uscată și plană.
- **ATENȚIE: ACEST SISTEM DE SIGILARE NU ESTE DESTINAT UZULUI COMERCIAL.** Nu utilizați niciodată aparatul în scopuri diferite de destinația de utilizare prevăzută a acestuia. Acest aparat este destinat exclusiv uzului casnic. Nu utilizați acest aparat în exterior.
- Nu introduceți niciodată o parte a aparatului sau cablul și fișa de alimentare în apă sau în alte lichide.
- Nu utilizați aparatul dacă a fost scăpat pe jos sau dacă prezintă semne vizibile de deteriorare.
- Asigurați-vă că aparatul este oprit și deconectat de la priza electrică după utilizare și înainte de curățare.
- Pentru a deconecta aparatul, scoateți cablul de alimentare din priza electrică. Nu deconectați aparatul trăgând de cablu.
- Nu folosiți un cablu prelungitor cu aparatul.
- Folosiți numai accesorii sau dispozitive atașabile recomandate de producător.
- Când reîncălziți alimente în pungile FoodSaver asigurați-vă că le puneți în apă la o temperatură de fierbere foarte mică, sub 75°C (170°F).
- **ALIMENTELE DIN PUNGĂ POT FI DECONGELATE, DAR NU REÎNCĂLZITE ÎNTR-UN CUPTOR CU MICROUND.** Când decongealați alimente în cuptorul cu microunde în pungile FoodSaver, asigurați-vă că nu depășiți puterea maximă de 180 de wați (setarea de decongelare), durata maximă de 2 minute și temperatura maximă de 70°C (158°F).

## PĂSTRAȚI ACESTE INSTRUCȚIUNI

## Sistemul FoodSaver

### De ce ambalarea în vid?

Expunerea la aer face ca alimentele să-și piardă proprietățile nutritive și gustul și, de asemenea, produce arsura prin congelare și permite dezvoltarea a numeroase bacterii, a mucegaiului și a fermențiilor. Sistemul de ambalare în vid FoodSaver elimină aerul și conservă gustul și calitatea. Pentru a vă extinde opțiunile, vă punem la

dispoziție o gamă completă de pungi și caserole FoodSaver, astfel încât să vă puteți bucura de beneficiile unei metode de depozitare a alimentelor dovedită științific, cu ajutorul căreia alimentele rămân proaspete un timp de până la cinci ori mai lung.

### Sistemul FoodSaver economisește timp și bani.

- **Cheltuiți mai puțin.** Cu sistemul FoodSaver, puteți cumpăra cantități mari sau produse la reducere și puteți ambala alimentele în vid în porțiile dorite fără a face risipă.
- **Economisiți timp.** Gătiți din timp pentru toată săptămâna, preparând alimentele și depozitându-le în pungi FoodSaver.
- **Marinați în câteva minute.** Prin ambalarea în vid porii alimentelor se deschid, astfel încât puteți obține acel minunat gust de marinat în doar 20 de minute și nu peste noapte.
- **Ușurați-vă munca atunci când aveți musafiri.** Pregătiți din timp rețetele dvs. specializate și bunătățile pentru sărbători ca să puteți petrece mai mult timp cu musafirii.
- **Bucurați-vă de alimente de sezon sau specialități.** Păstrați mai mult timp proșpețimea alimentelor foarte perisabile sau rar folosite.
- **Controlați porțiile pentru regimuri.** Ambalați în vid porții rezonabile și notați calorile și/sau gramele de grăsimi pe pungă.
- **Protejați alte articole decât alimente.** Păstrați articolele pentru drumeții în natură și plimbări cu barca uscate și organizate pentru ieșiri. Protejați argintul șlefuit împotriva pătării minimizând expunerea la aer.

## Accesorii FoodSaver

Profitați la maxim de aparatul FoodSaver cu pungile, caserolele și accesoriile FoodSaver ușor de folosit.

### Pungi și folii FoodSaver

Pungile și foliile FoodSaver au canale speciale care permit eliminarea eficientă a aerului. Datorită structurii în straturi multiple, sunt o barieră deosebit de eficientă împotriva oxigenului și a umezelii și ajută la prevenirea arsurii prin congelare. Pungile și foliile FoodSaver sunt disponibile în diverse dimensiuni.

### Caserole FoodSaver

Caserolele FoodSaver sunt ușor de folosit și sunt ideale pentru ambalarea în vid a alimentelor fragile, cum ar fi brișe și alte produse de patiserie, lichide și produse uscate.

### Dopul pentru sticle FoodSaver

Folosiți dopuri pentru sticle FoodSaver pentru a sigila în vid vinul, lichidele necarbonatate și uleiurile. Aceasta va prelungi durata de valabilitate a lichidului și va păstra gustul. Nu utilizați dopul pentru sticle la sticle din plastic.

### Marinator rapid FoodSaver

Marinatorul rapid infuzează alimentele cu aromă în câteva minute în loc de ore, utilizând puterea vidului pentru a introduce marinatele adânc în alimente.

### Comanda

Pentru a comanda pungi, folii și accesorii FoodSaver, vizitați [www.foodsavereurope.com](http://www.foodsavereurope.com) și selectați regiunea dvs.

# Componente

(consultați figura 1)

- |  |  |
|--|--|
| <b>A</b> Garnitură superioară            | <b>L</b> Buton pentru viteză                       |
| <b>B</b> Cuțit de rolă                   | <b>M</b> LED-uri pentru viteză (Lent/Normal/Rapid) |
| <b>C</b> Bară cuțit de rolă              | <b>N</b> Buton Canistră/Accesoriu                  |
| <b>D</b> Garnitură inferioară            | <b>O</b> Buton Tip alimente                        |
| <b>E</b> Bandă de etanșare               | <b>P</b> LED Alimente uscate                       |
| <b>F</b> Tavă detașabilă pentru picurare | <b>Q</b> LED Alimente umede                        |
| <b>G</b> Suport de rolă                  | <b>R</b> Buton Impulsuri de vidare                 |
| <b>H</b> Încuietorea                     | <b>S</b> Buton Etanșare instant                    |
| <b>I</b> Panoul de control               | <b>T</b> Buton Vidare și etanșare                  |
| <b>J</b> Port pentru accesorii           | <b>U</b> LED de alimentare                         |
| <b>K</b> Furtun pentru accesorii         |  |

## Realizarea unei pungi dintr-o rolă FoodSaver

Vă puteți realiza propriile pungi personalizate dintr-o rolă FoodSaver. Consultați Fig. 2:

1. Conectați dispozitivul de etanșare cu vid la o priză de alimentare. Deplasați încuietorea **H** în poziția deschisă (☞) și deschideți capacul. Dacă nu ați făcut deja acest lucru, așezați rola FoodSaver în zona de depozitare **G**, apoi ridicați bara cuțit de rolă **C** și introduceți capătul rolei sub bară. Trageți capătul rolei până când aproximativ 10 mm din rolă se suprapun peste banda de etanșare **E**.
2. Închideți capacul și deplasați încuietorea **H** în poziția închisă (☜). Apăsăți butonul Etanșare instant **S**. Când LED-ul pentru etanșare se stinge, deschideți capacul. Capătul rolei este etanșat acum.
3. Trageți rola la lungimea necesară pentru articolul care este ambalat. Adăugați 75 mm suplimentari pentru a permite etanșarea pungii și apoi glesați transversal cuțitul de rolă **B** pentru a tăia rola.

Apoi puteți începe să utilizați sistemul de etanșare cu vid (consultați *Utilizarea sistemului de etanșare cu vid*).

## Utilizarea sistemului de etanșare cu vid

Consultați Fig. 3:

1. Așezați articolul de ambalat în pungă. Puteți utiliza o pungă FoodSaver disponibilă ca atare sau puteți realiza propria pungă dintr-o rolă FoodSaver.
2. Așezați capătul deschis al pungii în fanta tăvii pentru picurare **F**.
3. Închideți capacul și deplasați încuietorea **H** în poziția închisă (☜).
4. Dacă doriți, apăsați butonul pentru viteză **L** pentru a selecta setarea de viteză Rapid, Normal sau Lent. Selectați Lent pentru alimente delicate; Normal pentru pungi, canistre de dimensiune medie și toate accesoriile; Rapid pentru pungi și canistre de dimensiune mare.

5. Dacă ambalați alimente care sunt umede sau sunt foarte succulente, apăsați o dată butonul Tip alimente **O** (se aprinde LED-ul Alimente umede **Q**). Pentru alimente uscate, asigurați-vă că rămâne aprins LED-ul Alimente uscate **P** (aceasta este setarea implicită).
6. Apăsăți butonul Vidare și etanșare **T**. Aparatul FoodSaver va începe să scoată aerul din pungă. Când LED-ul de progres al etanșării s-a stins, punga începe să fie etanșată (LED-ul de progres al etanșării se aprinde).
7. Procesul este finalizat când LED-ul de progres al etanșării se stinge.

## Etanșarea unei pungi fără a scoate aerul

Pentru a etanșa o pungă fără a extrage aerul din aceasta, apăsați butonul Etanșare instant **S** (procesul este finalizat când LED-ul pentru etanșare se stinge). Puteți etanșa tipurile de pungă care sunt utilizate pentru a ambala gustări, cum ar fi chips de cartofi, chips tortilla etc.

## Utilizarea butonului Impulsuri de vidare

Unele articole, cum ar fi produsele de patiserie, pâinea, biscuiții etc., se pot strivi la etanșare. Pentru a împiedica acest lucru, utilizați butonul Numai etanșare **R** după cum urmează:

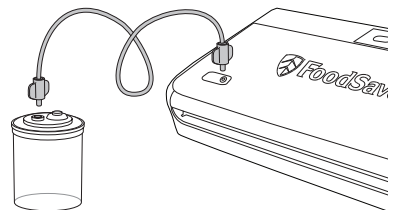
1. Urmați pașii 1, 2 și 3 din *Utilizarea sistemului de etanșare cu vid*.
2. Apăsăți și mențineți apăsat butonul Impulsuri de vidare **R** după cum este necesar. Pompa de vid va funcționa atât timp cât butonul este menținut apăsat. Eliberați butonul înainte de a se produce strivirea. Acest lucru va opri imediat extragerea aerului.
3. Apăsăți butonul Etanșare instant **S** imediat după vidare. LED-ul de progres al etanșării se va aprinde. Procesul este finalizat când LED-ul de progres al etanșării se stinge.

**NOTĂ:** Dacă pompa de vid se oprește în timpul apăsării butonului Impulsuri de vidare, înseamnă că s-a atins vidul maxim și nu se mai poate extrage aer.

## Utilizarea Accesorii FoodSaver

1. Introduceți un capăt al furtunului pentru accesorii **K** în portul pentru accesorii **J** de pe aparatul FoodSaver. Introduceți celălalt capăt al furtunului în portul de pe accesoriu și asigurați-vă că este bine cuplat. Urmați orice instrucțiuni specifice care sunt furnizate cu accesoriul FoodSaver.
2. Închideți capacul și deplasați încuietorea **H** în poziția închisă (☜).
3. Apăsăți butonul Canistră/Accesoriu **N**. Procesul este finalizat când LED-ul de progres se stinge.

**NOTĂ:** Durata necesară pentru extragerea completă a aerului din accesoriu depinde de dimensiunea accesoriului.



# Ghid de depozitare, sfaturi și recomandări

## Ambalarea în vid și siguranța alimentelor

Procesul de ambalare în vid prelungeste durata de valabilitate a alimentelor eliminând majoritatea aerului din recipientul sigilat și reducând astfel oxidarea, care afectează valoarea nutritivă, gustul și calitatea generală. De asemenea, eliminarea aerului poate inhiba dezvoltarea microorganismelor, care pot produce probleme în anumite condiții:

Pentru a conserva alimentele în siguranță, este esențial să mențineți temperaturi scăzute. Puteți reduce semnificativ dezvoltarea microorganismelor la temperaturi de 4°C sau mai mici.

Congelarea la -17°C nu distruge microorganismele, dar le oprește dezvoltarea. Pentru depozitarea pe termen lung, congelați întotdeauna alimentele perisabile care au fost ambalate în vid și păstrați-le la frigider după decongelare.

Este important să rețineți că ambalarea în vid NU înlocuiește păstrarea în conserve și nu poate anula alterarea alimentelor. Poate doar să încetinească schimbările de calitate. Este dificil de estimat cât timp își vor păstra alimentele gustul, aspectul și textura de cea mai bună calitate, deoarece depinde de durata și starea alimentelor în ziua când au fost ambalate în vid.

Alimente	Durată de depozitare
Oaie, porc, miel, pasăre	2-3 ani
Carne tocată	1 an
Pește	2 ani
Brânzeturi tari (Cheddar, parmezan, Edam, Gouda etc.)	4-8 luni
Sparanghel, broccoli, conopidă, varză, varză de Bruxelles, fasole verde, mazăre, porumb etc.	2-3 ani
Salată, spanac etc.	2 săptămâni
Caise, prune, piersici, nectarine etc.	1-3 ani
Fructe de pădure moi (zmeură, mure, căpșuni etc.)	1 săptămână
Fructe de pădure tari (afine, merișoare etc.)	2 săptămâni
Pâine, chifle, produse de patiserie	1-3 ani
Nuci, alune și semințe	2 ani
Cafea boabe	1 an
Cafea măcinată	5-6 luni
Produse în formă de pudră (zahăr, făină etc.)	1-2 ani
Sosuri, supe, tocane etc.	1-2 ani
Produse uscate (fasole, paste, orez, cereale etc.)	1-2 ani
Chipsuri, biscuiți, sărățele etc.	3-6 săptămâni

**IMPORTANT:** Ambalarea în vid NU înlocuiește refrigerarea sau congelarea. Orice alimente perisabile care necesită refrigerare trebuie să fie refrigerate sau congelate după ambalarea în vid. Pentru a evita posibilitatea de îmbolnăvire, nu refolosiți pungile în care ați depozitat carne crudă, pește crud sau alimente grase. Nu refolosiți pungile care au fost introduse în cuptorul cu microunde sau fierte.

**Decongelarea și reîncălzirea alimentelor ambalate în vid**  
ALIMENTELE DIN PUNGĂ POT FI DECONGELATE, DAR NU REÎNCĂLZITE ÎNTR-UN CUPTOR CU MICROUND.

**Decongelarea** – Decongeleți întotdeauna alimentele în frigider sau în cuptorul cu microunde – nu decongeleți alimente perisabile la temperatura camerei. Asigurați-vă că tăiați un colț al pungii înainte de a o introduce în cuptorul cu microunde. Vă recomandăm să puneți punga într-un vas rezistent la microunde pentru a evita vărsarea lichidelor.

**Reîncălzirea** – Pentru a reîncălzi alimentele în cuptorul cu microunde, scoate-ți-le din pungă și puneți-le într-un vas rezistent la microunde. De asemenea, puteți reîncălzi alimente în pungile FoodSaver punându-le în apă la o temperatură de fierbere foarte mică, sub 75°C (170°F). Asigurați-vă că alimentele sunt încălzite complet și uniform.

Loc de depozitare	Observații
Congelator	Congelați în prealabil alimentele umede înainte de ambalarea în vid. Alternativ, puneți un șervet de hârtie împăturit între aliment și capătul pungii pentru a absorbi lichidul în exces. Nu uitați să lăsați un spațiu de 75 mm după șervet pentru a lăsa loc pentru crearea sigilării. <b>Notă:</b> Carnea de oaie poate părea mai închisă la culoare după ambalarea în vid din cauza eliminării oxigenului. Acesta nu este un semn de alterare.
Congelator	
Congelator	
Frigider	Pentru a menține brânza proaspătă, ambalați-o în vid după fiecare utilizare. Folosiți pungi foarte lungi pentru a lăsa 25 mm la fiecare sigilare nouă. Nu ambalați NICIODATĂ în vid brânzeturile moi.
Depozitați întotdeauna în congelator	Opăriți legumele până când sunt fierte, dar nu moi înainte de ambalare. Congelați înainte de ambalare. Separați-le în timpul congelării pentru a evita lipirea legumelor când sunt ambalate. Nu ambalați NICIODATĂ în vid ciuperci proaspete.
Frigider	Spălați, apoi uscați alimentele. Pentru rezultate optime, ambalați-le într-o caserolă FoodSaver.
Congelator	Congelați în prealabil fructele obișnuite și fructele de pădure moi înainte de ambalare. Separați-le în timpul congelării pentru a evita lipirea fructelor când sunt ambalate.
Frigider	
Frigider	
Congelator	Vă recomandăm să folosiți o caserolă FoodSaver pentru a evita strivirea. Alternativ, congelați în prealabil produsele până se întăresc.
Cămară	Pentru a evita aspirarea particulelor de alimente în pompa de vid, puneți un filtru de cafea sau un șervet de hârtie în partea superioară a pungii sau caserolei înainte de ambalarea în vid. De asemenea, puteți pune alimentele în punga originală într-o pungă FoodSaver.
Cămară	
Cămară	
Cămară	
Congelator	Congelați în prealabil într-un recipient potrivit până la întărire. Eliminați lichidul congelat și ambalați în vid într-o pungă FoodSaver.
Cămară	
Cămară	Pentru rezultate optime, folosiți o caserolă FoodSaver pentru alimente fragile, cum ar fi sărățele.

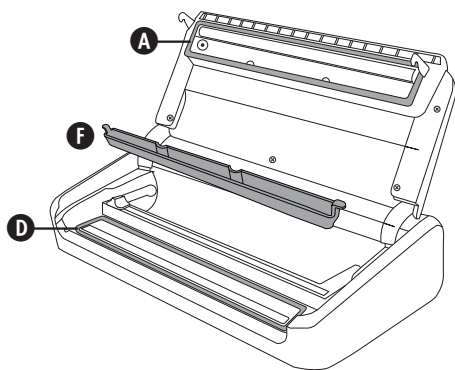
## Îngrijirea și curățarea

**Nu scufundați niciodată unitatea sau cablul de alimentare și stecherul în apă sau în orice alt lichid. Deconectați întotdeauna unitatea înainte de curățare.**

Ștergeți corpul aparatului cu o lavetă moale, uscată.

Îndepărtați și goliți tava pentru picurare **F** după fiecare utilizare. Spălați-o cu apă caldă cu săpun sau așezați-o pe raftul de sus al unei mașini de spălat vase. Uscați-o riguros înainte de a o remonta.

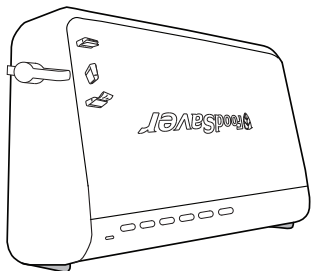
Verificați garnitura superioară **A**, garnitura inferioară **D** și în jurul tăvii pentru picurare pentru a vă asigura că acestea nu prezintă reziduuri alimentare. Dacă este necesar, ștergeți garniturile cu o lavetă cu apă caldă și săpun. Garniturile pot fi îndepărtate pentru curățare. Curățați-le cu apă caldă cu săpun. Uscați-le riguros și apoi montați-le înapoi cu grijă.



Pentru a menține funcționarea eficientă a aparatului dvs. FoodSaver, vă recomandăm să înlocuiți garniturile în fiecare an. Pentru a comanda piese de schimb, vizitați [www.foodsavereurope.com](http://www.foodsavereurope.com).

## Depozitarea

1. Închideți capacul și deplasați încuietorea **H** în poziția de depozitare (🔒). Acest lucru este suficient pentru a fixa capacul și evita comprimarea garniturilor (ceea ce poate cauza funcționarea incorectă a unității).
2. Ridicați partea din față a aparatului și așezați-l pe piciorușele de depozitare în poziție verticală.



## Garanție

Vă rugăm să păstrați chitanța, prezența acesteia fiind solicitată în cazul oricărui solicitări de reparație acoperite de garanție.

Garanția acestui aparat este de 2 ani de la data achiziției, conform informațiilor din acest document.

În timpul perioadei de garanție, în cazul puțin probabil în care aparatul nu mai funcționează din cauza unei defecțiuni de design sau de fabricație, înapoiati-l magazinului de unde l-ați achiziționat, împreună cu bonul de casă și o copie a acestei garanții.

Drepturile și beneficiile oferite conform acestei garanții sunt suplimentare față de drepturile dvs. legale, care nu sunt afectate de această garanție. Jarden Consumer Solutions (Europe) Ltd. („JCS (Europe)”) își rezervă dreptul de a modifica acești termeni.

JCS (Europe) își asumă, pe perioada garanției, obligația de a repara sau de a înlocui gratuit aparatul sau orice componentă a aparatului care se dovedește a nu funcționa, în următoarele condiții:

- să anunțați imediat magazinul sau JCS (Europe) despre apariția problemei; și
- aparatul să nu fi fost modificat în niciun fel sau să nu fi fost supus deteriorărilor, întrebunțării greșite, abuzurilor, reparațiilor sau modificărilor efectuate de către alte persoane decât cele autorizate de JCS (Europe).

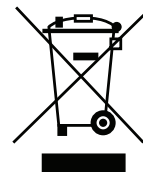
Defecțiunile care apar în urma utilizării neadecvate, deteriorării, abuzului, alimentării la tensiuni neadecvate, catastrofelor naturale, evenimentelor neprevăzute de JCS (Europe), reparației sau modificării de către o altă persoană decât cele autorizate de JCS (Europe) sau nerespectării instrucțiunilor de utilizare nu sunt acoperite de această garanție. În plus, uzura normală, incluzând, fără a se limita la, decolorările minore și zgârieturile nu sunt acoperite de această garanție.

Drepturile prevăzute în această garanție se vor aplica numai primului cumpărător și nu se extind în cazul utilizării comerciale sau comune.

Dacă aparatul dvs. are inclusă o garanție specifică țării de utilizare sau o garanție suplimentară, vă rugăm să consultați, pentru informații suplimentare, termenii și condițiile respectivei garanții și nu ale acesteia sau să contactați distribuitorul local autorizat.

Deșeurile provenite din produsele electrice nu trebuie eliminate împreună cu deșeurile menajere. Vă rugăm să le reciclați dacă aveți această posibilitate. Pentru informații suplimentare privind reciclarea și deșeurile provenite din echipamentele electrice și electronice, contactați-ne prin e-mail la adresa [enquiriesEurope@jardencs.com](mailto:enquiriesEurope@jardencs.com).

Jarden Consumer Solutions (Europe) Limited  
5400 Lakeside  
Cheadle Royal Business Park  
Cheadle  
SK8 3GQ  
United Kingdom



# Depanarea

Problem	Solution
LED-ul Etanșare instant se aprinde intermitent când încercați să etanșați.	În cazul utilizării foarte intense, acest lucru se întâmplă pentru a împiedica supraîncălzirea. Dacă se întâmplă acest lucru, așteptați 20 de minute pentru a permite răcirea aparatului. În timpul utilizării, așteptați întotdeauna cel puțin 20 de secunde înainte de a începe ambalarea cu vid a altui articol.
Pompa funcționează mai mult de 2 minute fără ca aerul să fie eliminat.	Asigurați-vă că ați introdus capătul deschis al pungii în tava pentru picurare din zona garniturii inferioare. Verificați dacă ambele garnituri sunt montate corespunzător și nu sunt deteriorate. Verificați dacă cel puțin un capăt al pungii este sigilat. Deschideți unitatea și verificați dacă nu sunt corpuri străine, murdărie sau reziduuri pe garnitura superioară sau inferioară. Asigurați-vă că este spațiu suficient în partea superioară a pungii (75 mm) astfel încât să încapă în tava pentru picurare având capacul închis și blocat. Asigurați-vă că nu este montat furtunul accesoriu. Verificați dacă este complet închis capacul (banda verde este vizibilă în jurul încuietorii și LED-ul verde de alimentare este aprins).
Punga nu se sigilează corespunzător.	Este umezeală sau grăsime în pungă la punctul de etanșare. Ștergeți umezeala în exces cu un șervet de hârtie curat și uscat. Este prea mult lichid în pungă. Congelați conținutul pungii înainte de vidare. Este o cută pe linia de etanșare. Întindeți ușor punga până când este netedă în timp ce o introduceți în tava pentru picurare și continuați să țineți de pungă până când pornește pompa de vid. Dacă ați făcut deja acest lucru și punga tot nu este etanșată, creați o a doua etanșare peste prima.
Nu se întâmplă nimic atunci când capacul este închis și este apăsat butonul Vidare și etanșare sau butonul Etanșare instant.	Asigurați-vă că este complet închis capacul cu încuietoarea în poziția închisă.
LED-ul de alimentare se stinge când capacul este închis și încuietoarea este în poziția închisă.	Dacă aparatul nu este utilizat timp de 12 minute, va intra în modul de așteptare și toate LED-urile indicatoare vor rămâne stinse. Apăsați butonul funcției corespunzătoare pentru a reveni la modul dorit (de ex., Vidare și etanșare).

## Важни предпазни мерки

Този уред може да се използва от деца на възраст над 8 години и от лица с намалени физически, сетивни или психически възможности, или без опит или познания, ако са под наблюдение или са били инструктирани за безопасна употреба на уреда и разбират опасностите, свързани с неговата експлоатацията. Децата не трябва да си играят с уреда. Почистването и поддръжката не трябва да се извършват от деца, които не са под наблюдение.

Ако захранващия кабел е повреден, трябва да бъде заменен от производителя, от негов сервизен представител или от подобни квалифицирани лица, за да няма заплаха за безопасността.

- Винаги поставяйте уреда върху стабилна, надеждна, суха и равна повърхност.
- **ВНИМАНИЕ: ТОЗИ УРЕД ЗА ЗАПЕЧАТВАНЕ НА ПЛИКОВЕ НЕ Е ПРЕДНАЗНАЧЕН ЗА ТЪРГОВСКИ ЦЕЛИ.** Никога не използвайте уреда за цели, различни от неговото предназначение. Този уред е само за домашна употреба. Не използвайте уреда на открито.
- Никога не потапяйте каквато и да е част от уреда или захранващия кабел и щепсела във вода или някаква друга течност.
- Не използвайте уреда, ако е бил изпускан или ако има видими следи от повреда.
- Преди да пристъпите към почистване, уверете се, че уредът е изключен и че щепселът е изваден от мрежовия контакт след употреба.
- За да изключите, извадете захранващия кабел от електрическия контакт. Не дърпайте кабела, за да го изключите.
- Не използвайте удължител с уреда.
- Използвайте единствено аксесоари или приставки, препоръчани от производителя.
- При претопляне на храна в пликите FoodSaver се уверете, че ги поставяте в загрята вода на ниска температура под 75°C.
- **ХРАНИТЕЛНИТЕ ПРОДУКТИ В ПЛИКА МОГАТ ДА БЪДАТ РАЗМРАЗЕНИ, НО НЕ И ПРЕТОПЛЕНИ В МИКРОВОЛНОВА ФУРНА.** Когато размразявате хранителни продукти в пликите FoodSaver в микровълнова фурна, се уверете, че максималната мощност от 180 вата (настройка за размразяване), максималното време от 2 минути и максималната температура от 70°C (158°F) не се надвишават.

### ЗАПАЗЕТЕ НАСТОЯЩИТЕ ИНСТРУКЦИИ

## Система за вакуумиране и запечатване FoodSaver

### Защо да пакетираме с вакуум?

Излагането на хранителните продукти на въздух води до загуба на техните хранителни и вкусови свойства, причинява хладилно изгаряне и улеснява развитието на много бактерии, плесен и дрожди. Системата за вакуумно пакетирание FoodSaver изсмуква въздуха и запечатва храната заедно с нейния вкус и качество. С богатата гама пликите и контейнери FoodSaver, предоставящи ви повече възможности, сега можете да се насладите на ползите от научно доказан метод за съхранение, с който да запазите храната свежа до пет пъти по-дълго време.

### Системата FoodSaver ви спестява време и пари.

- **Спестете пари.** Със системата FoodSaver можете да закупите на едро или от разпродажба и да вакуумирате и запечатвате храната на желаните порции, без остатъци.
- **Спестете време.** Сгответе храна за цялата седмица, пригответе порциите и ги съхранете в пликите FoodSaver.
- **Мариновайте за минути.** Процесът на вакуумно пакетирание отваря порите на храната така, че получавате страхотен маринован вкус само за 20 минути, вместо за цяла нощ.
- **Направете събиранията по-лесни и приятни.** Пригответе вашия специалитет и ястията за празничната трапеза предварително, за да можете да отделите повече време на гостите си.
- **Насладете се на сезонни храни или на специалитети.** Запазете бързоразвалящите се или рядко употребяваните продукти свежи за по-дълго.
- **Регулиране на порциите за диета.** Вакуумирайте и запечатвайте съобразени порции и записвайте калориите и/или количеството мазнини на плика.
- **Запазете нехранителни продукти.** Запазете сухи и подредени за екскурзия продукти за къмпинг или ветроходство. Предпазете от потъмняване полирано сребро, като сведете до минимум неговото окисляване.

## Аксесоари FoodSaver

Възползвайте се максимално от вашия уред FoodSaver с помощта на лесните за употреба пликите, контейнери и аксесоари FoodSaver.

### Пликите и ролките FoodSaver

Пликите и ролките FoodSaver притежават специални каналчета, които позволяват ефикасното изсмукване на въздуха. Многослойната им структура ги прави особено ефикасна бариера за кислород и плесен и спомага за предпазване от хладилно изгаряне. Ще намерите пликите и ролките FoodSaver в голямо разнообразие от размери.

### Контейнери FoodSaver

Контейнерите FoodSaver са лесни за употреба и идеални за вакуумно пакетирание на деликатни продукти като мфини и други пекарски изделия, течности и сухи храни.

### Тапа за вакуумиране на бутилки FoodSaver

Използвайте тапата за бутилки FoodSaver за вакуумиране и запечатване на вино, негазирани напитки и олио. Това ще увеличи срока на съхранение на течностите и ще запази техния вкус. Не използвайте тапата за бутилки за пластмасови бутилки.

## Уред за бързо мариноване FoodSaver

Уредът за бързо мариноване придава аромат на храната за минути вместо за часове, като благодарение на силата на вакуума маринованата прониква дълбоко в храната.

### За поръчка

За да поръчате пликове, ролки и аксесоари FoodSaver, моля, посетете [www.foodsavereurope.com](http://www.foodsavereurope.com) и изберете вашия регион.

## Части

(Вижте Фиг. 1)

- |                                  |   |
|----------------------------------|---|
| <b>A</b> Горно уплътнение        | <b>L</b> Бутон за скорост                               |
| <b>B</b> Режещ нож за ролката    | <b>M</b> Индикатори за скоростта (Бавно/Нормално/Бързо) |
| <b>C</b> Режеща лента за ролката | <b>N</b> Бутон за контейнер/аксесоар                    |
| <b>D</b> Долно уплътнение        | <b>O</b> Бутон за избор на храна                        |
| <b>E</b> Лента за запечатване    | <b>P</b> Индикатор за суха храна                        |
| <b>F</b> Подвижна ваничка        | <b>Q</b> Индикатор за мека храна                        |
| <b>G</b> Отделение за ролката    | <b>R</b> Бутон за импулсно вакуумиране                  |
| <b>H</b> Лостче                  | <b>S</b> Бутон за незабавно запечатване                 |
| <b>I</b> Контролен панел         | <b>T</b> Бутон за вакуумиране и запечатване             |
| <b>J</b> Порт за аксесоари       | <b>U</b> Светлинен индикатор за захранване              |
| <b>K</b> Приставка маркуч        |   |

## Как да направим плик от ролка FoodSaver

Можете да направите пликове с персонализирани размери от ролка FoodSaver. Вижте Фиг. 2:

1. Включете уреда за вакуумиране в мрежовия контакт. Преместете лостчето **H** до позиция отворено (↗) и отворете капака. Ако все още не сте го направили, поставете ролката FoodSaver в отделението **G**, след което повдигнете режещата лента за ролката **C** и вкарайте края на ролката под лентата. Издърпайте края на ролката, докато около 10 mm от ролката покрийт залепващата лента **E**.
2. Затворете капака докрай и преместете лостчето **H** на позиция затворено (↘). Натиснете бутона за незабавно запечатване **S**. Когато индикаторът за запечатване изгасне, отворете капака. Краят на ролката вече ще е запечатан.
3. Издърпайте ролката до необходимата дължина за продукта, който ще пакетирате. Добавете допълнителни 75 mm, за да позволите на плика да се залепи, след което плъзнете режещата лента за ролката **B** по-дължина, за да отрежете ролката.

Вече можете да използвате уреда за вакуумиране и запечатване (вж. *Използване на уреда за вакуумиране и запечатване*).

## Използване на уреда за вакуумиране и запечатване

Вижте Фиг. 3:

1. Поставете продукта за опаковане в плика. Можете да използвате готов плик FoodSaver или сами да си направите плик от ролка FoodSaver.
2. Поставете отворения край на плика в отвора на ваничката за събиране на течности F.
3. Затворете капака докрай и преместете лостчето **H** на позиция затворено (↘).
4. Ако желаете, натиснете бутона за скорост **L**, за да изберете Бързо, Нормално или Бавно за настройка на скоростта. Изберете Бавно за деликатни храни; Нормално за средно големи пликове, контейнери и всички аксесоари; Бързо за пликове и контейнери с големи размери.
5. Ако пакетирате меки или много сочни храни натиснете веднъж бутона за избор на храна **O** (светлинният индикатор за мека храна **Q** ще светне). За сухи храни проверете дали светлинният индикатор за суха храна **P** остава включен (настройка по подразбиране).
6. Натиснете бутона за вакуумиране и запечатване **T**. Уредът за вакуумиране и запечатване FoodSaver ще започне за изсмуква въздуха от плика. Когато светлинният индикатор за хода на вакуумиране изгасне, пликът започва да се запечатва (светва индикаторът за запечатване).
7. Процесът е завършен, когато индикаторът за запечатване изгасне.

### Запечатване на плик без отстраняване на въздуха

За да запечатате плик, без да отстранявате въздуха, натиснете бутона за незабавно запечатване **S** (процесът е завършен, когато индикаторът за запечатване изгасне). Можете да запечатвате видовете пликове, които се използват за пакетирани закуски като чипс, тортила чипс и др.

### Използване на бутона за импулсно вакуумиране

Някои продукти като сладкарски изделия, хляб, бисквити и др. могат да се смачкат при отстраняване на въздуха. За да избегнете това, използвайте бутона за импулсно вакуумиране **R**, както следва:

1. Следвайте стъпки 1, 2, 3, 4 и 5 от *Използване на уреда за вакуумиране и запечатване*.
2. Натиснете и задръжте натиснат бутона за импулсно вакуумиране **R** според необходимостта. Вакуумната помпа ще работи, докато държите бутона натиснат. Отпуснете бутона, преди да се стигне до смачкване. Това незабавно ще прекрати изсмукването на повече въздух.
3. Натиснете бутона за незабавно запечатване **S** веднага след отстраняване на въздуха. Индикаторът за запечатване ще светне. Процесът е завършен, когато индикаторът за запечатване изгасне.

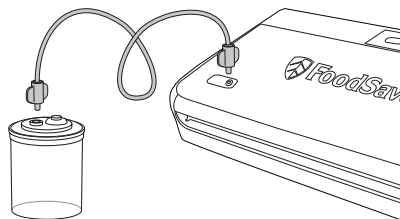
**ЗАБЕЛЕЖКА:** Ако вакуумната помпа спре, докато натискате бутона за импулсно вакуумиране, това означава, че е достигнат максимален вакуум и повече въздух не може да бъде изсмукан.



## Използване на аксесоари FoodSaver

1. Вкарайте единия край на приставката маркуч **K** в порта за аксесоари **I** на уреда FoodSaver. Вкарайте другия край на маркуча в порта за аксесоари и проверете дали е стабилно свързан. Следвайте всички специфични инструкции, предоставени с уреда FoodSaver.
2. Натиснете бутона за скорост **L**, за да изберете настройка Бързо.
3. Натиснете бутона за контейнер/аксесоар **N**. Процесът е завършен, когато индикаторът за прогрес изгасне.

**ЗАБЕЛЕЖКА:** Времето за отстраняване на целия въздух от аксесоара зависи от размера на аксесоара.



## Ръководство за съхранение, указания и съвети

### Вакуумно пакетиране и безопасност на храните

Процесът на вакуумно пакетиране увеличава срока на съхранение на храните чрез отстраняване на повечето въздух от запечатания контейнер, като по този начин се намалява окисляването, което оказва влияние върху хранителната стойност, вкуса и цялостното качество на храните. Отстраняването на въздуха може също така да възпрепятства развитието на микроорганизми, които при дадени условия е възможно да създадат проблеми:

За безопасното съхранение на храните от изключително значение е поддържането на ниски температури. При температури от 4°C или по-ниски можете да намалите значително развитието на микроорганизми.

Замразяване при -17°C не убива микроорганизмите, но спира тяхното развитие. За по-дълготрайно съхранение винаги замразявайте нетрайните храни, които са вакуумно пакетираны, и ги дръжте в хладилник след размразяването им.

Хранителни продукти	Срок на годност
Телешко, свинско, агнешко, птиче месо	2–3 години
Кайма	1 година
Риба	2 години
Твърдо сирене (чедър, пармезан, едам, гауда и др.)	4–8 месеца
Аспержи, броколи, моркови, карфиол, зеле, брюкселско зеле, зелен фасул, грах, царевича и др.	2–3 години
Маруля, спанак и др.	2 седмици
Кайсии, сини сливи, праскови, нектарини и др.	1–3 години
Меки червени плодове (малини, къпини, ягоди и др.)	1 седмица
Твърди червени плодове (черни и червени боровинки и др.)	2 седмици
Хляб, гевреци, сладкиши	1–3 години
Ядки и семена	2 години
Кафе на зърна	1 година
Мляно кафе	5–6 месеца
Хранителни продукти на прах (захар, брашно и др.)	1–2 години
Сосове, супи, яхнии и др.	1–2 години
Сухи продукти (бобови храни, спагети, ориз и др.)	1–2 години
Картофен чипс, бисквити, солени бисквити и др.	3–6 седмици

Важно е да се отбележи, че вакуумното пакетиране НЕ замества консервирането и не може да предотврати развалянето на храните. То може единствено да забави промените в тяхното качество. Трудно е да се прогнозира времето, за което храните ще запазят най-добрия си вкус, вид или текстура, т.к. това зависи от датата на производство и състоянието на хранителния продукт към момента на неговото вакуумно пакетиране.

**ВАЖНО:** Вакуумното пакетиране НЕ замества съхранението в хладилник или фризер. Всички нетрайни храни, които изискват съхранение в хладилник, трябва да бъдат съхранявани в хладилник или да бъдат замразени и след вакуумното им пакетиране. За да се избегнат възможни заболявания, не използвайте повторно пликите, след като сте съхранявали в тях сурово месо, сурова риба или мазни храни. Не използвайте повторно пликите, които са били използвани в микровълнова фурна или за претопляне на храна.

## Размразяване и претопляне на вакуумно пакетирани храни

ХРАНИТЕЛНИТЕ ПРОДУКТИ В ПЛИКА МОГАТ ДА БЪДАТ РАЗМРАЗЕНИ, НО НЕ И ПРЕТОПЛЕНИ В МИКРОВЪЛНОВА ФУРНА.

**Размразяване** – винаги размразявайте храната в хладилник или микровълна фурна – не размразявайте нетрайни храни на стайна температура.

Уверете се, че сте отрязали края на плика, преди да го поставите в микровълновата. Препоръчваме да поставите плика върху подходяща за употреба в микровълнова фурна чиния, за да избегнете разтичане на течности.

**Претопляне** – за да претоплите храна в микровълновата фурна, извадете я от плика и я поставете върху подходяща за употреба в микровълнова фурна чиния.

Можете също така да претопляте храна в пликите FoodSaver, като ги поставите в загрята вода на ниска температура под 75°C (170°F). Уверете се, че храната е равномерно и напълно затоплена.

Място за съхранение	Забележки
Фризер	Предварително замразявайте мека храна, преди да я вакуумирате и запечатате. Можете също така да поставите сгъната хартиена кърпа между храната и ръба на плика, за да попиете излишната течност. Не забравяйте да оставяте разстояние от 75 mm от кърпата, за да може да има достатъчно място за направата на шева. Забележка: Телешкото месо може да изглежда по-тъмно след вакуумното пакетиране в резултат на изсмукването на кислорода. Това не е признак, че месото е развалено.
Фризер	
Фризер	
Хладилник	За да запазите сиренето свежо, го вакуумирайте и запечатвайте след всяка употреба. Направете пликите широки, за да оставите по 25 mm за всеки нужен нов шев. НИКОГА не вакуумирайте и запечатвайте меки сирена.
Винаги съхранявайте във фризера	Бланширайте зеленчуците, за да се сварят, но и да са все още хрупкави преди пакетирането им. Замразете, преди да пакетирате. Разделете ги, когато ги замразявате, за да избегнете залепването на зеленчуците, когато ги пакетирате. НИКОГА не вакуумирайте и запечатвайте пресни гъби.
Хладилник	Измийте и подсушете. За най-добри резултати пакетирайте, като използвате контейнер FoodSaver.
Фризер	Замразявайте предварително меките плодове и червените плодове преди пакетиране. Разделете ги, когато ги замразявате, за да избегнете залепването на плодовете, когато ги пакетирате.
Хладилник	
Хладилник	
Фризер	Препоръчваме да използвате контейнер FoodSaver, за да се избегне смачкване. Можете също да замразите предварително до твърдо състояние.
Шкаф	За да се избегне засмукването на частици храна от вакуумната помпа, поставете филтър за кафе или хартиена кърпа върху плика или контейнера, преди да вакуумирате и запечатате. Можете също така да поставите храната в оригиналната ѝ опаковка в плик FoodSaver.
Шкаф	
Шкаф	
Шкаф	
Фризер	Замразете предварително в подходящ контейнер, докато се втвърди. Отстранете замръзалата течност и запечатайте в плик FoodSaver.
Шкаф	
Шкаф	За най-добри резултати използвайте контейнер FoodSaver за ронливи продукти като солени бисквити.

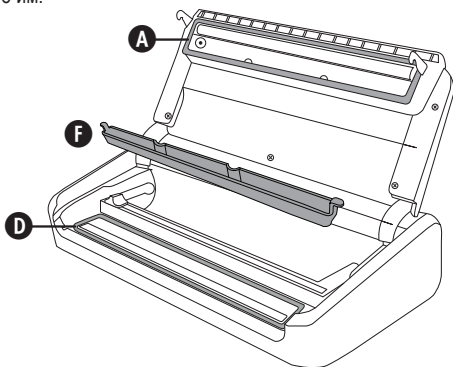
## Поддръжка и почистване

Никога не потапяйте уреда или захранващия кабел и щепсела във вода или други течности. Винаги изключвайте уреда от контакта преди почистване.

Избършете тялото на уреда с мека и суха кърпа.

Сваляйте и изправете ваничката **F** след всяко ползване. Измийте го с топла сапунена вода или го поставете в горната кошница на миялната машина. Подсушете добре, преди да го поставите отново на мястото му.

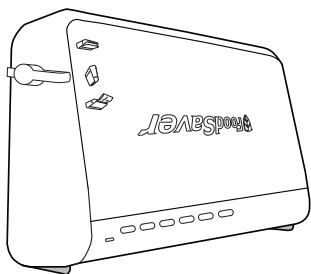
Проверете горното уплътнение **A**, долното уплътнение **D** и около ваничката, за да се уверите, че по тях няма остатъци от храна. Избършете уплътненията с кърпа, напоена с топла сапунена вода, при необходимост. Уплътненията могат да се свалят за почистване. Почистете ги с топла сапунена вода. Подсушете добре, след това внимателно ги поставете обратно на мястото им.



За да поддържате ефективната работа на вашия уред FoodSaver, ние ви препоръчваме да сменяте уплътненията всяка година. За да поръчате уплътнения за смяна, моля, посетете [www.foodsavereurope.com](http://www.foodsavereurope.com).

## Съхранение

1. Затворете капака и преместете лостчето **H** на позиция за съхранение (H). Това е достатъчно, за да подсушите капака, но избягвайте да притискате уплътненията (което може да доведе до неправилно функциониране на уреда).
2. Повдигнете предната част на уреда и го поставете изправен на крачетата за съхранение.



## Гаранция

Моля, пазете касовата бележка, тъй като ще ви бъде необходима за каквито и да е рекламации по настоящата гаранция.

Този уред има гаранция от 2 години, след като го закупите, както е описано в настоящия документ.

По време на този гаранционен срок, ако в малко вероятния случай уредът спре да функционира поради неизправност в конструкцията или в изработката, моля, върнете го обратно на мястото, откъдето сте го закупили, с вашата касова бележка и копие на настоящата гаранция.

Правата и ползите по настоящата гаранция са в допълнение към вашите установени със закон права, които не са засегнати от настоящата гаранция. Единствено Jarden Consumer Solutions (Europe) Ltd. („JCS (Europe)“) има правото да променя тези условия.

JCS (Europe) поема задължението в рамките на гаранционния срок да ремонтира безплатно или да замени уреда, или каквото и да е част от уреда, ако се установи, че не работи правилно, при условие че:

- надлежно уведомите мястото на закупуване или JCS (Europe) за проблема; и
- уредът не е бил модифициран по какъвто и да е начин или не е бил предмет на неправилна употреба, злоупотреба, ремонт или изменение от лице, което не е оторизирано от JCS (Europe).

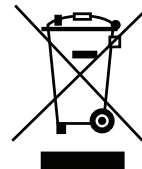
Неизправности, появили се в резултат от неправилна употреба, повреда, злоупотреба, използване с неправилно напрежение, природни бедствия, събития извън контрола на JCS (Europe), ремонт или модификация от лице, различно от оторизираното от JCS (Europe) лице, или в резултат от неспазване на инструкциите за употреба, не се покриват от настоящата гаранция. Освен това нормалното износване на уреда, включително, но не само, леко обезцветяване и драскотини, не се покриват от настоящата гаранция.

Правата по настоящата гаранция се прилагат само за първоначалния купувач и не продължават действието и валидността си при търговска или обща употреба.

Ако вашият уред включва притурка със специфична за страната гаранция, моля, вижте сроковете и условията на тази гаранция вместо настоящата гаранция, или се обърнете към вашия местен оторизиран дилър за повече информация.

Отпадъците от електрически продукти не трябва да се изхвърлят в контейнерите за отпадъци от домакинствата. Моля, рециклирайте такива отпадъци, където съществуват съоръжения за това. Изпратете ни имейл на: [enquiriesEurope@jardencs.com](mailto:enquiriesEurope@jardencs.com) за информация относно по-нататъшно рециклиране и относно WEEE (директивата за отпадъците от електрически и електронно оборудване (OEEO)).

Jarden Consumer Solutions (Europe) Limited  
5400 Lakeside  
Cheadle Royal Business Park  
Cheadle  
SK8 3GQ  
United Kingdom



# Отстраняване на неизправности

Проблем	Решение
Бутонът за незабавно запечатване примигва, когато се опитвате да запечатвате.	Това ще се случи при честа употреба, за да се предотврати прегряване. Ако това се случи, изчакайте 20 секунди, за да позволите на уреда да се охлади. По време на употреба, винаги изчакавайте поне 20 секунди, преди да започнете да пакетирате с вакуум друг продукт.
Помпата работи повече от 2 минути, без да се изсмуква въздух.	Уверете се, че отвореният край на плика е поставен в долното уплътнение на ваничката за събиране на течности. Проверете, за да се уверите, че и двете уплътнения са правилно поставени и не са повредени. Проверете, за да се уверите, че поне единият от краищата на плика е запечатан. Отворете уреда и проверете, за да се уверите, че няма чужди тела, мръсотия или остатъци по горното или долното уплътнения. Уверете се, че има достатъчно място на горната страна на плика (75 mm), за да влезе във ваничката за събиране на течности при затворен и защитан капак. Уверете се, че приставката маркуч не е поставена. Уверете се, че капакът е плътно затворен с лостчето в затворена позиция.
Пликът не се запечатва правилно.	Има влага или смазка в плика около мястото на запечатване. Избършете излишната влага с чиста и суха хартиена ролка. Има прекалено много течност в плика. Замразете съдържанието на плика, преди да вакуумирате. Има неравност по линията на запечатване. Внимателно изпълнете плика, докато го поставяте във ваничката за събиране на течности, и дръжте плика, докато вакуумната помпа се включи. Ако това е вече изпълнено и пликът пак не се запечатва, направете втори шев над първия.
Когато капакът е отворен, натискането на бутона за вакуумиране и запечатване или бутона за незабавно запечатване няма никакъв ефект.	Уверете се, че капакът е плътно затворен с лостчето в затворена позиция.
Светлинният индикатор за хранването изгасва, когато капакът е затворен и лостчето е в позиция затворено.	Ако уредът не се използва за период от 12 минути, се включва режим на готовност и всички светлинни индикатори изгасват. Натиснете съответния бутон, за да се върнете към търсения режим (напр. вакуумиране и запечатване).

# Σημαντικές Προφυλάξεις

Η συσκευή αυτή μπορεί να χρησιμοποιηθεί από παιδιά 8 ετών και άνω και από άτομα με μειωμένες σωματικές, αισθητήριες ή διανοητικές ικανότητες ή έλλειψη εμπειρίας και γνώσης, εφόσον επιτηρούνται ή έχουν λάβει οδηγίες για ασφαλή χρήση της συσκευής και έχουν επίγνωση των κινδύνων που ενέχονται. Μην αφήνετε τα παιδιά να παίζουν με τη συσκευή. Δεν πρέπει να γίνεται καθαρισμός και συντήρηση από παιδιά χωρίς επιτήρηση.

Αν το καλώδιο παροχής έχει φθαρεί, πρέπει να αντικατασταθεί από τον κατασκευαστή, τον αντιπρόσωπο σέρβις ή παρόμοια καταρτισμένα άτομα για την αποφυγή κινδύνου.

- Να χρησιμοποιείτε πάντα τη συσκευή σε σταθερή, ασφαλή, στεγνή και επίπεδη επιφάνεια.
- Μην χρησιμοποιείτε ποτέ αυτή τη συσκευή για οτιδήποτε άλλο εκτός από την προβλεπόμενη χρήση της. Η συσκευή αυτή είναι μόνο για οικιακή χρήση. Μην χρησιμοποιείτε τη συσκευή σε εξωτερικό χώρο.
- Μην βυθίζετε ποτέ κάποιο μέρος της συσκευής ή το καλώδιο ρεύματος και το βύσμα στο νερό ή οποιοδήποτε άλλο υγρό.
- Μην χρησιμοποιείτε τη συσκευή αν έχει πέσει ή αν υπάρχουν εμφανή σημάδια φθοράς.
- Βεβαιωθείτε ότι η συσκευή είναι απενεργοποιημένη και ότι το βύσμα έχει αφαιρεθεί από την πρίζα μετά τη χρήση, πριν τον καθαρισμό.
- Για να αποσυνδέσετε τη συσκευή, αφαιρέστε το καλώδιο τροφοδοσίας από την ηλεκτρική πρίζα. Μην αποσυνδέετε τη συσκευή τραβώντας το καλώδιο.
- Μην χρησιμοποιείτε καλώδιο προέκτασης με τη συσκευή.
- Χρησιμοποιείτε μόνο αξεσουάρ ή εξαρτήματα που προτείνονται από τον κατασκευαστή.
- Όταν ξαναζεσταίνετε τρόφιμα σε σακούλες FoodSaver βεβαιωθείτε ότι τις έχετε τοποθετήσει σε νερό που βρίσκεται σε θερμοκρασία χαμηλού βρασμού κάτω από τους 75°C (170°F).
- ΤΡΟΦΙΜΑ ΜΕΣΑ ΣΤΗ ΣΑΚΟΥΛΑ ΜΠΟΡΟΥΝ ΝΑ ΑΠΟΨΥΧΘΟΥΝ ΑΛΛΑ ΟΧΙ ΝΑ ΞΑΝΑΖΕΣΤΑΘΟΥΝ ΣΕ ΦΟΥΡΝΟ ΜΙΚΡΟΚΥΜΑΤΩΝ Όταν αποψύχετε στο φούρνο μικροκυμάτων τρόφιμα μέσα σε σακούλες FoodSaver βεβαιωθείτε ότι δεν έχετε υπερβεί την μέγιστη ισχύ των 180 watts (ρύθμιση απόψυξης), τον μέγιστο χρόνο των 2 λεπτών και τη μέγιστη θερμοκρασία των 70°C (158°F).

## ΦΥΛΑΞΤΕ ΑΥΤΕΣ ΤΙΣ ΟΔΗΓΙΕΣ

# Σύστημα σφράγισης στο κενό FoodSaver

## Γιατί να συσκευάζετε στο κενό;

Η έκθεση στον αέρα κάνει τα τρόφιμα να χάνουν τη θρεπτική αξία και τη γεύση τους, ενώ επιτρέπει σε πολλά είδη βακτηρίων, μούχλας και μυκήτων να αναπτυχθούν. Το σύστημα συσκευασίας στο κενό FoodSaver αφαιρεί τον αέρα και σφραγίζει όλη τη γεύση και την ποιότητα των τροφίμων. Με την πλήρη σειρά από σακούλες και δοχεία FoodSaver, για περισσότερες επιλογές, μπορείτε πλέον να απολαμβάνετε τα πλεονεκτήματα της επιστημονικά ενδεδειγμένης μεθόδου αποθήκευσης τροφίμων που διατηρεί τα τρόφιμα φρέσκα έως και πέντε φορές περισσότερο.

## Το σύστημα FoodSaver σας εξοικονομεί χρόνο και χρήμα.

- **Ξοδέψτε λιγότερα χρήματα.** Με το σύστημα FoodSaver μπορείτε να αγοράσετε σε χονδρική ή με έκπτωση και να συσκευάσετε στο κενό τα τρόφιμά σας στις επιθυμητές μερίδες, χωρίς να πετάτε φαγητό.
- **Εξοικονομήστε περισσότερο χρόνο.** Μαγειρέψτε από πριν για την εβδομάδα, προετοιμάζοντας τα γεύματά σας και αποθηκευόντάς τα σε σακούλες FoodSaver.
- **Μαρινάρετε σε λίγα λεπτά.** Η συσκευασία στο κενό ανοίγει τους πόρους του φαγητού με αποτέλεσμα να επιτυγχάνετε τέλειο μαρινάρισμα σε μόλις 20 λεπτά σε αντίθεση με το μαρινάρισμα που διαρκεί ολόκληρο το βράδυ.
- **Διευκολύνετε τη διασέδαση σας.** Προετοιμάστε το καλύτερο πιάτο σας από πριν, προκειμένου να μπορείτε να περνάτε ποιοτικό χρόνο με τους καλεσμένους σας.
- **Απολαύστε εποχιακά φαγητά ή σπασαλιτέ.** Διατηρείστε φρέσκα τα ιδιαίτερα ευαλλοιώτα τρόφιμα ή τα προϊόντα που δεν χρησιμοποιείτε συχνά για μεγαλύτερο χρονικό διάστημα.
- **Ελέγξτε τις μερίδες για δίαιτα.** Συσκευάστε στο κενό λογικές μερίδες και γράψτε πάνω στη σακούλα τις θερμίδες και την περιεκτικότητα σε λίπος.
- **Προστατέψτε μη φαγώσιμα είδη.** Διατηρήστε τις προμήθειες για το κάμπινγκ και τη βαρκάδα στεγνές και οργανωμένες για τις εξορμήσεις σας. Αποφύγετε το θάψιμμα των γυαλισμένων ασημικών μειώνοντας την έκθεση στον αέρα.

## Αξεσουάρ του FoodSaver

Εκμεταλλεύεστε στο έπακρο τη συσκευή FoodSaver με εύχρηστες σακούλες, δοχεία και αξεσουάρ FoodSaver.

## Σακούλες και ρολά FoodSaver

Οι σακούλες και τα ρολά FoodSaver διαθέτουν ειδικά κανάλια που επιτρέπουν την αποτελεσματική αφαίρεση αέρα. Η πολύπτυχη κατασκευή τα καθιστά ένα ιδιαίτερα αποτελεσματικό φράγμα για το οξυγόνο και την υγρασία, ενώ με αυτόν τον τρόπο αποφεύγονται τα εγκαύματα κατάψυξης. Οι σακούλες και τα ρολά FoodSaver διατίθενται σε πολλά μεγέθη.

## Δοχεία FoodSaver

Τα δοχεία FoodSaver είναι απλά στη χρήση και ιδανικά για τη συσκευασία στο κενό ευαίσθητων τροφίμων όπως είναι τα muffin και άλλα αρτοποιήματα, υγρά και αποξηραμένες τροφές.

## Πώμα μπουκαλιού FoodSaver

Χρησιμοποιήστε τα πώματα μπουκαλιού FoodSaver για να συσκευάσετε στο κενό κρασί, μη ανθρακούχα υγρά και λάδι. Με

# Χρήση της συσκευής σφράγισης στο κενό

αυτών τον τρόπο θα παρατείνετε τη διάρκεια ζωής του υγρού και θα διατηρήσετε το άρωμα και τη γεύση του. Μην χρησιμοποιείτε το πώμα μπουκαλιού σε πλαστικό μπουκαλί.

## Μπολ γρήγορου μαριναρίσματος FoodSaver

Το μπολ γρήγορου μαριναρίσματος γεμίζει το φαγητό με άρωμα μέσα σε λίγα λεπτά, σε αντίθεση με τις ώρες που χρειάζεται το συνηθισμένο μαρινάρισμα, χάρη στη δύναμη που έχει το κενό να κάνει τις μαρινάδες να διεισδύουν βαθιά στο φαγητό.

## Παραγγελία

Για να παραγγείλετε σακούλες, ρολά και αξεσουάρ FoodSaver, επισκεφθείτε τη διεύθυνση [www.foodsavereurope.com](http://www.foodsavereurope.com) και, στη συνέχεια, επιλέξτε την περιοχή σας.

## Μέρη

Βλ. σχήμα 1

- |                                       |  |
|---------------------------------------|--|
| <b>A</b> Πάνω τσιμούχα                | <b>L</b> Κουμπί ταχύτητας                          |
| <b>B</b> Μοχλός κοπής ρολού           | <b>M</b> Λυχνίες ταχύτητας (αργή/κανονική/γρήγορη) |
| <b>C</b> Μπάρα κοπής ρολού            | <b>N</b> Κουμπί δοχείου/αξεσουάρ                   |
| <b>D</b> Κάτω τσιμούχα                | <b>O</b> Κουμπί τύπου τροφίμων                     |
| <b>E</b> Κορδέλα σφραγίσματος         | <b>P</b> Λυχνία αποξηραμένων τροφίμων              |
| <b>F</b> Αφαιρούμενος δίσκος στάλαξης | <b>Q</b> Λυχνία υγρών τροφίμων                     |
| <b>G</b> Χώρος αποθήκευσης ρολού      | <b>R</b> Κουπί παλμού κενού                        |
| <b>H</b> Μάνταλο                      | <b>S</b> Κουμπί στιγμιαίας σφράγισης               |
| <b>I</b> Πίνακας ελέγχου              | <b>T</b> Κουμπί αφαίρεσης αέρα και σφράγισης       |
| <b>J</b> Θύρα αξεσουάρ                | <b>U</b> Λυχνία λειτουργίας                        |
| <b>K</b> Σωληνάκι                     |  |

## Δημιουργία σακούλας από ένα ρολό FoodSaver

Μπορείτε να δημιουργήσετε το μέγεθος σακούλας που επιθυμείτε με ένα ρολό FoodSaver. Ανατρέξτε στο Σχήμα 2:

1. Συνδέστε τη συσκευή σφράγισης στο κενό στην κεντρική παροχή ρεύματος. Μετακινήστε το μάνταλο **H** στην ανοικτή θέση (☞) και ανοίξτε το καπάκι. Αν δεν το έχετε κάνει ήδη, τοποθετήστε το ρολό FoodSaver στην περιοχή αποθήκευσης **G**. Στη συνέχεια, σιγασίτε τη μπάρα κοπής του ρολού **C** και τοποθετήστε την άκρη του ρολού κάτω από τη μπάρα. Τραβήξτε την άκρη του ρολού προς τα έξω μέχρι περίπου 10mm του ρολού να καλύπτουν την κορδέλα σφραγίσματος **E**.
2. Κλείστε τελείως το καπάκι και μετακινήστε το μάνταλο **H** στην κλειστή θέση (☜). Πατήστε το κουμπί στιγμιαίας σφράγισης **S**. Μόλις σβήσει η λυχνία σφράγισης, ανοίξτε το καπάκι. Η άκρη του ρολού θα είναι πλέον σφραγισμένη.
3. Τραβήξτε το ρολό προς τα έξω στο επιθυμητό μήκος για το αντικείμενο που συσκευάζετε. Αφήστε επιπλέον 75mm για να μπορείτε να σφραγίσετε τη σακούλα και σύρετε το μοχλό κοπής του ρολού **B** μέχρι την άλλη πλευρά για να κόψετε το ρολό.

Τώρα μπορείτε να χρησιμοποιήσετε τη συσκευή σφράγισης στο κενό (ανατρέξτε στην ενότητα *Χρήση της συσκευής σφράγισης στο κενό*).

Ανατρέξτε στο Σχήμα 3:

1. Τοποθετήστε το αντικείμενο που θέλετε να συσκευάσετε μέσα στη σακούλα. Μπορείτε να χρησιμοποιήσετε μία έτοιμη σακούλα FoodSaver ή να δημιουργήσετε τη δική σας με ρολό FoodSaver.
2. Τοποθετήστε την ανοικτή άκρη της σακούλας στην οπή του δίσκου στάλαξης **F**.
3. Κλείστε τελείως το καπάκι και μετακινήστε το μάνταλο **H** στην κλειστή θέση (☜).
4. Αν το επιθυμείτε, πατήστε το κουμπί ταχύτητας **L** για να επιλέξετε γρήγορη, κανονική ή αργή ρύθμιση ταχύτητας. Επιλέξτε αργή κίνηση για ευαίσθητα τρόφιμα, κανονική κίνηση για σακούλες μεσαίου μεγέθους και γρήγορη κίνηση για μεγαλύτερες σακούλες και δοχεία.
5. Αν συσκευάζετε τρόφιμα που είναι νωπά ή πολύ υγρά, πατήστε μία φορά το κουμπί τύπου τροφίμων **O** (η λυχνία ένδειξης υγρών τροφίμων **Q** ανάβει). Για αποξηραμένα τρόφιμα, βεβαιωθείτε ότι η λυχνία αποξηραμένων τροφίμων **P** παραμένει αναμμένη (αυτή είναι η προεπιλογή).
6. Πατήστε το κουμπί αφαίρεσης αέρα και σφράγισης **T**. Η συσκευή FoodSaver θα ξεκινήσει να αφαιρεί τον αέρα από τη σακούλα. Μόλις σβήσει η λυχνία προόδου κενού, τότε ξεκινά η σφράγιση της σακούλας (ενεργοποιείται η λυχνία προόδου σφράγισης).
7. Η διαδικασία έχει ολοκληρωθεί μόλις σβήσει η λυχνία προόδου σφράγισης.

## Σφράγιση μιας σακούλας χωρίς να αφαιρεθεί ο αέρας

Για να σφραγίσετε μία σακούλα χωρίς να βγάλετε τον αέρα, πατήστε το κουμπί στιγμιαίας σφράγισης **S** (η διαδικασία ολοκληρώνεται μόλις σβήσει η λυχνία σφράγισης). Μπορείτε να σφραγίσετε είδη σακούλας που χρησιμοποιούνται για συσκευασίες σνακ όπως πατατάκια, τортίγια, γαριδάκια κ.λπ.


## Χρήση του κουμπιού παλμού κενού

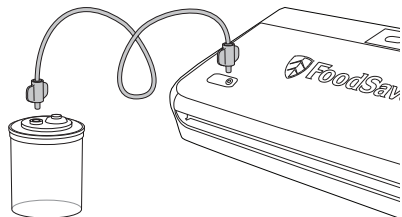
Ορισμένα προϊόντα όπως είναι τα αρτοσκευάσματα, το ψωμί, τα μπισκότα κ.λπ. μπορούν να θρυμματιστούν κατά τη συσκευασία στο κενό. Για να αποφύγετε αυτό το ενδεχόμενο, χρησιμοποιήστε το κουμπί παλμού κενού **R** ως εξής:

1. Ακολουθήστε τα βήματα 1, 2, 3, 4 και 5 της ενότητας *Χρήση της συσκευής σφράγισης στο κενό*.
2. Πιέστε και κρατήστε πατημένο το κουμπί παλμού κενού **R**, όπως απαιτείται. Η αντλία κενού θα λειτουργεί για όση ώρα κρατάτε πατημένο το κουμπί. Αφήστε το κουμπί πριν θρυμματιστούν τα προϊόντα. Με αυτόν τον τρόπο δεν θα γίνει εξαγωγή περαιτέρω αέρα.
3. Πατήστε το κουμπί στιγμιαίας σφράγισης **S** αμέσως μετά την αφαίρεση του αέρα. Η λυχνία ένδειξης της προόδου σφράγισης θα ενεργοποιηθεί. Η διαδικασία έχει ολοκληρωθεί μόλις σβήσει η λυχνία προόδου σφράγισης.

**ΣΗΜΕΙΩΣΗ:** Αν η αντλία κενού σταματήσει ενώ πατάτε το κουμπί παλμού κενού, τότε έχει επιτευχθεί το μέγιστο κενό δεν μπορεί να γίνει περαιτέρω εξαγωγή αέρα.

## Χρήση αξεσουάρ FoodSaver

1. Εισαγάγετε τη μία άκρη από το σωληνάκι **(Κ)** στη θύρα εισαγωγής αξεσουάρ **(I)** στη συσκευή FoodSaver. Εισαγάγετε την άλλη άκρη από το σωληνάκι στη θύρα του αξεσουάρ και βεβαιωθείτε ότι έχουν συνδεθεί καλά. Ακολουθήστε συγκεκριμένες οδηγίες που συνοδεύουν το αξεσουάρ FoodSaver.
2. Κλείστε το καπάκι και μετακινήστε το μάνταλο **(H)** στην κλειστή θέση ()
3. Πατήστε το κουμπί δοχείου/αξεσουάρ N. Η διαδικασία έχει ολοκληρωθεί μόλις σβήσει η λυχνία προόδου.



ΣΗΜΕΙΩΣΗ: Ο χρόνος που θα χρειαστεί για να αφαιρεθεί όλος ο αέρας από το αξεσουάρ θα εξαρτηθεί από το μέγεθος του αξεσουάρ.

## Οδηγός, ιδέες και συμβουλές αποθήκευσης

### Συσκευασία στο κενό και ασφάλεια τροφίμων

Η διαδικασία συσκευασίας στο κενό επεκτείνει τη ζωή των τροφίμων με την αφαίρεση του μεγαλύτερου μέρους του αέρα από το σφραγισμένο δοχείο, μειώνοντας έτσι την οξειδωση, η οποία επηρεάζει τη θρεπτική αξία, τη γεύση και τη συνολική ποιότητα. Επίσης, η αφαίρεση του αέρα μπορεί να εμποδίσει την ανάπτυξη μικροοργανισμών που, υπό ορισμένες συνθήκες, μπορούν να προκαλέσουν προβλήματα:

Για να συντηρείτε τα τρόφιμα με ασφάλεια, είναι καίριας σημασίας να διατηρείτε χαμηλές θερμοκρασίες. Μπορείτε να μειώσετε σημαντικά την ανάπτυξη μικροοργανισμών σε θερμοκρασίες κάτω των 4°C.

Τρόφιμα	Διάρκεια αποθήκευσης
Μοσχάρι, χοιρινό, αρνί, πουλερικά	2-3 χρόνια
Κιμάς	1 χρόνο
Ψάρι	2 χρόνια
Σκληρά τυριά (τσένταρ, παρμεζάνα, ένταμ, γκούντα κ.λπ.)	4-8 μήνες
Σπαράγγια, μπρόκολο, καρότα, κουνουπίδι, λάχανο, λαχανάκια Βρυξελλών, φασολάκια, αρακάς, καλαμπόκι κ.λπ.	2-3 χρόνια
Μαρούλι, σπανάκι κ.λπ.	2 εβδομάδες
Βερίκοκα, δαμάσκηνα, ροδάκινα, νεκταρίνια κ.λπ.	1-3 χρόνια
Μαλακά μούρα (βατόμουρα, άγρια μούρα, φράουλες κ.λπ.)	1 εβδομάδα
Σκληρά μούρα (μύρtilλα, κράνμπερι κ.λπ.)	2 εβδομάδες
Ψωμί, κουλούρια, αρτοσκευάσματα	1-3 χρόνια
Ξηροί καρποί και σπόροι	2 χρόνια
Κόκκοι καφέ	1 χρόνο
Αλεσμένος καφές	5-6 μήνες
Αλεσμένα τρόφιμα (ζάχαρη, αλεύρι κ.λπ.)	1-2 χρόνια
Σάλτσες, σουπές, εντράδες κ.λπ.	1-2 χρόνια
Αποξηραμένα τρόφιμα (φασόλια, ζυμαρικά, ρύζι, δημητριακά κ.λπ.)	1-2 χρόνια
Πατατάκια, μπισκότα, κράκερ κ.λπ.	3-6 εβδομάδες

Το πάγωμα στους -17°C δεν σκοτώνει τους μικροοργανισμούς, αλλά σταματά την ανάπτυξή τους. Για αποθήκευση μεγάλης διάρκειας, να καταψύχετε πάντα ευαλλοίωτα τρόφιμα που έχουν συσκευαστεί στο κενό, και να τα κρατάτε στη συντήρηση αφού τα ξεπαγώσετε.

Είναι σημαντικό να σημειωθεί ότι η συσκευασία στο κενό ΔΕΝ αντικαθιστά την κονσερβοποίηση και δεν μπορεί να αναστρέψει την αλλοίωση των τροφίμων. Μπορεί απλά να επιβραδύνει τις αλλαγές στην ποιότητα. Είναι δύσκολο να προβλεφθεί για πόσο καιρό θα διατηρηθούν η άριστη γεύση, η εμφάνιση ή η υφή καθώς αυτά εξαρτώνται από το πόσο φρέσκα και την κατάσταση των τροφίμων την ημέρα της συσκευασίας στο κενό.

**ΣΗΜΑΝΤΙΚΟ:** Η συσκευασία στο κενό ΔΕΝ αντικαθιστά τη συντήρηση στο ψυγείο ή την κατάψυξη. Ευαλλοίωτα τρόφιμα εξακολουθούν να χρειάζεται να τοποθετούνται στη συντήρηση του ψυγείου ή την κατάψυξη μετά τη συσκευασία τους στο κενό. Για να αποφύγετε πιθανές ασθένειες, μην χρησιμοποιείτε ξανά σακούλες μετά την αποθήκευση γωπού κρέατος, νωπού ψαριού ή λιπαρών τροφών. Μην χρησιμοποιείτε ξανά σακούλες που έχουν τοποθετηθεί στα μικροκύματα ή έχουν χρησιμοποιηθεί για σιγοβράσιμο.

## Ξεπάγωμα και ξαναζέσταμα τροφίμων που έχουν συσκευαστεί στο κενό

ΤΑ ΤΡΟΦΙΜΑ ΜΕΣΑ ΣΤΗ ΣΑΚΟΥΛΑ ΜΠΟΡΟΥΝ ΝΑ ΑΠΟΨΥΧΘΟΥΝ ΑΛΛΑ ΔΕΝ ΕΠΙΤΡΕΠΕΤΑΙ ΝΑ ΞΑΝΑΖΕΣΤΑΘΟΥΝ ΣΕ ΦΟΥΡΝΟ ΜΙΚΡΟΚΥΜΑΤΩΝ.

**Απόψυξη** - Να ξεπαγώνετε τα τρόφιμα πάντα σε ψυγείο ή φούρνο μικροκυμάτων. Μην ξεπαγώνετε ευαλλοίωτα τρόφιμα σε θερμοκρασία δωματίου.

Βεβαιωθείτε ότι έχετε κόψει τη γωνία της σακούλας πριν την τοποθετήσετε στο φούρνο μικροκυμάτων. Συνιστούμε την τοποθέτηση της σακούλας σε σκεύος που είναι ασφαλές για χρήση σε φούρνο μικροκυμάτων για να αποφύγετε το πέταγμα υγρών.

**Ξαναζέσταμα** - Για να ξαναζεστάνετε φαγητό σε φούρνο μικροκυμάτων, βγάλτε το από τη σακούλα και τοποθετήστε το σε σκεύος που είναι ασφαλές για χρήση σε φούρνο μικροκυμάτων.

Μπορείτε επίσης να ξαναζεστάνετε τρόφιμα σε σακούλες FoodSaver τοποθετώντας τις σε νερό που βρίσκεται σε θερμοκρασία χαμηλού βρασμού κάτω από τους 75°C (170°F). Βεβαιωθείτε ότι το φαγητό έχει ζεσταθεί καλά.

Σημείο αποθήκευσης	Παρατηρήσεις
Καταψύκτης	Πριν συσκευάσετε στο κενό υγρά τρόφιμα, προκαταψύξτε τα. Εναλλακτικά, τοποθετήστε ένα διπλωμένο χαρτί κουζίνας ανάμεσα στο φαγητό και το τέλος της σακούλας για να απορροφήσει το πλεονάζον υγρό. Μην ξεχνάτε να αφήνετε απόσταση 75mm μετά το χαρτί κουζίνας για να υπάρχει αρκετός χώρος προκειμένου να δημιουργηθεί η σφράγιση.
Καταψύκτης	Σημείωση: Το μοσχάρι ενδέχεται να φαίνεται πιο σκούρο μετά τη συσκευασία στο κενό λόγω της αφαίρεσης του οξυγόνου. Αυτό δεν είναι ένδειξη ότι έχει χαλάσει.
Ψυγείο	Για να διατηρείτε το τυρί φρέσκο, συσκευάζετέ το στο κενό μετά από κάθε χρήση. Κάντε τις σακούλες ιδιαίτερα μακριές ώστε να υπάρχουν 25mm για την κάθε νέα σφράγιση που απαιτείται. Μην συσκευάζετε ΠΟΤΕ στο κενό μαλακά τυριά.
Αποθήκευση πάντα στον καταψύκτη	Πριν τα συσκευάσετε, ζεματίστε τα λαχανικά μέχρι να είναι μαγειρεμένα αλλά ακόμα τραγανά. Καταψύξτε τα πριν τα συσκευάσετε. Χωρίστε τα όσο καταψύχονται για να αποφύγετε τα λαχανικά να κολλήσουν μεταξύ τους κατά τη συσκευασία τους. Μην συσκευάζετε ΠΟΤΕ στο κενό φρέσκα μανιτάρια.
Ψυγείο	Πλύντε τα και στη συνέχεια στεγνώστε τα. Για βέλτιστα αποτελέσματα, συσκευάστε τα χρησιμοποιώντας ένα δοχείο FoodSaver.
Καταψύκτης	
Ψυγείο	Προτού τα συσκευάσετε, προκαταψύξτε μαλακά φρούτα και μούρα. Χωρίστε τα όσο καταψύχονται για να αποφύγετε τα φρούτα να κολλήσουν μεταξύ τους όταν τα συσκευάζετε.
Ψυγείο	
Καταψύκτης	Συνιστούμε τη χρήση δοχείου FoodSaver για να αποφύγετε τη σύνθλιψή τους. Εναλλακτικά, προκαταψύξτε τα μέχρι να γίνουν στέρεα.
Ντουλάπι	
Ντουλάπι	
Ντουλάπι	Για να αποφύγετε την εισχώρηση σωματιδίων τροφών στην αντλία κενού, τοποθετήστε ένα φίλτρο καφέ ή χαρτί κουζίνας στο επάνω μέρος της σακούλας ή του δοχείου προτού τα συσκευάσετε στο κενό. Επίσης, μπορείτε να τοποθετήσετε το φαγητό με την αρχική του συσκευασία μέσα σε μια σακούλα FoodSaver.
Ντουλάπι	
Καταψύκτης	Προκαταψύξτε το σε κατάλληλο σκεύος μέχρι να στερεοποιηθεί. Αφαιρέστε το κατεψυγμένο υγρό και συσκευάστε το στο κενό σε μία σακούλα FoodSaver.
Ντουλάπι	
Ντουλάπι	Για βέλτιστα αποτελέσματα με προϊόντα που θρυμματίζονται, όπως τα κράκερ, χρησιμοποιήστε ένα δοχείο FoodSaver.



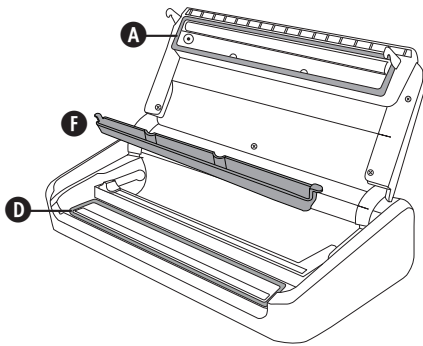
## Φροντίδα και καθαρισμός

**Μην βυθίζετε ποτέ τη μονάδα ή το καλώδιο ρεύματος και το βύσμα στο νερό ή οποιοδήποτε άλλο υγρό. Να αποσυνδέετε πάντα τη μονάδα πριν την καθαρίσετε.**

Σκουπίστε το σώμα της συσκευής με ένα απαλό, στεγνό πανί.

Βγάλτε και αδειάστε το δίσκο στάλαξης **F** μετά από κάθε χρήση. Πλύνετε το δίσκο σε ζεστό νερό με σαπουνάδα ή τοποθετήστε τον στην πάνω σχάρα του πλυντηρίου πιάτων. Στεγνώστε το δίσκο καλά πριν τον επανατοποθετήσετε.

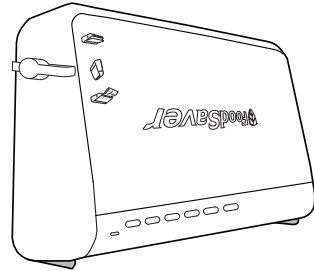
Ελέγξτε το επάνω λάστιχο **A**, το κάτω λάστιχο **D** και γύρω από το δίσκο συλλογής υγρών για να διασφαλίσετε ότι είναι ελεύθερα από υπολείμματα τροφών. Σκουπίστε τα λάστιχα με ένα πανί με ζεστό νερό και σαπουνί αν χρειάζεται. Τα λάστιχα μπορούν να αφαιρεθούν για καθαρισμό. Καθαρίστε τα με ζεστό νερό και σαπουνί. Στεγνώστε τα πολύ καλά και μετά επανατοποθετήστε τα.



Για να συνεχίσει η συσκευή σας FoodSaver να λειτουργεί αποτελεσματικά, σας σας συνιστούμε να αντικαταστήσετε τα λάστιχα κάθε χρόνο. Για να παραγγείλετε ανταλλακτικά, επισκεφθείτε το [www.foodsavereurope.com](http://www.foodsavereurope.com).

## Αποθήκευση

1. Κλείστε το καπάκι και μετακινήστε το μάνταλο **H** στη θέση αποθήκευσης (F). Αυτό αρκεί για την ασφάλιση του καπακιού αλλά εμποδίζει τη συμπίεση των τοιμouchών (που μπορεί να προκαλέσει δυσλειτουργία της μονάδας).
2. Ανασηκώστε το μπροστινό μέρος της συσκευής και ακουμπήστε την όρθια στα ποδαράκια αποθήκευσης.



## ΕΓΓΥΗΣΗ

Παρακαλώ κρατείστε την απόδειξή σας καθώς θα σας ζητηθεί για οποιαδήποτε αξίωση στο πλαίσιο της παρούσας εγγύησης. Η συσκευή αυτή έχει εγγύηση 2 ετών μετά την αγορά σας, όπως περιγράφεται στο παρόν έντυπο.

Κατά τη διάρκεια αυτής της περιόδου εγγύησης, στην απίθανη περίπτωση που η συσκευή δεν λειτουργεί πλέον λόγω σχεδιαστικού ή κατασκευαστικού ελαττώματος, παρακαλώ επιστρέψτε τη στο σημείο αγοράς, με την απόδειξή σας και αντίγραφο της παρούσας εγγύησης.

Τα δικαιώματα και οφέλη στο πλαίσιο αυτής της εγγύησης είναι επιπλέον των θεσμοθετημένων σας δικαιωμάτων, τα οποία δεν επηρεάζονται από την παρούσα εγγύηση. Μόνο η Jarden Consumer Solutions (Europe) Ltd. ("JCS (Europe)") έχει το δικαίωμα να αλλάξει αυτούς τους όρους.

Η JCS (Europe) αναλαμβάνει εντός της περιόδου εγγύησης να επισκευάσει ή να αντικαταστήσει δωρεάν τη συσκευή, ή οποιοδήποτε μέρος της συσκευής βρίσκεται να μην λειτουργεί όπως θα έπρεπε, με την προϋπόθεση ότι:

- Θα ειδοποιησете εγκαίρως το σημείο αγοράς ή τη JCS (Europe) για το πρόβλημα και
- η συσκευή δεν έχει τροποποιηθεί με οποιονδήποτε τρόπο ή έχει υποστεί βλάβη, εσφαλμένη χρήση, κατάχρηση, επισκευή ή τροποποίηση από άτομο που δεν έχει εξουσιοδοτηθεί από τη JCS (Europe).

Αυτή η εγγύηση δεν καλύπτει ελαττώματα που προκύπτουν λόγω εσφαλμένης χρήσης, βλάβης, κατάχρησης, χρήσης με λάθος τάση, ανωτέρας βίας, συμβάντων εκτός του ελέγχου της JCS (Europe), επισκευής ή τροποποίησης από άτομο που δεν έχει εξουσιοδοτηθεί από την JCS (Europe) ή αν δεν έχουν ακολουθηθεί οι οδηγίες χρήσης. Επίσης, η εγγύηση αυτή δεν καλύπτει φυσικές φθορές, που περιλαμβάνουν και χωρίς να περιορίζονται στο ελαφρύ ξεθώριασμα και τις γρατσουνιές.

Τα δικαιώματα στο πλαίσιο αυτής της εγγύησης ισχύουν μόνο για τον αρχικό αγοραστή και δεν επεκτείνονται σε εμπορική ή δημόσια χρήση.

# ΤΕπίλυση προβλημάτων

Πρόβλημα	Λύση
Η λυχνία στιγμιαίας σφράγισης αναβοσβήνει κατά την προσπάθεια σφράγισης.	Σε περίπτωση έντονης χρήσης, αυτό συμβαίνει για την αποφυγή υπερθέρμανσης. Αν συμβεί αυτό, περιμένετε 20 λεπτά για να αφήσετε τη συσκευή να κρυώσει. Κατά τη χρήση, περιμένετε πάντα τουλάχιστον 20 δευτερόλεπτα πριν ξεκινήσετε να συσκευάζετε στο κενό κάποιο άλλο προϊόν.
Η αντλία λειτουργεί για περισσότερα από 2 λεπτά χωρίς να αφαιρείται αέρα.	Βεβαιωθείτε ότι εισαγάγετε την ανοικτή άκρη της σακούλας στο δίσκο στάλαξης που βρίσκεται στην περιοχή της κάτω τσιμούχας. Ελέγξτε για να βεβαιωθείτε ότι και οι δύο τσιμούχες είναι καλά τοποθετημένες και δεν έχουν υποστεί ζημιά. Ελέγξτε για να βεβαιωθείτε ότι τουλάχιστον η μία άκρη της σακούλας είναι σφραγισμένη. Ανοίξτε τη μονάδα και ελέγξτε για να βεβαιωθείτε ότι δεν υπάρχουν ξένα αντικείμενα, βρωμιά ή άλλα υπολείμματα στην πάνω ή την κάτω τσιμούχα. Βεβαιωθείτε ότι υπάρχει επαρκής χώρος στο επάνω μέρος της σακούλας (75 mm) ούτως ώστε να χωράει στο δίσκο στάλαξης με το καπάκι κλειστό και μανταλωμένο. Βεβαιωθείτε ότι δεν είναι συνδεδεμένο το σωληνάκι. Βεβαιωθείτε ότι το καπάκι είναι τελείως κλειστό με το μάνταλο στην κλειστή θέση.
Δεν πραγματοποιείται σωστή σφράγιση της σακούλας.	Υπάρχει υγρασία ή λίπος στο σημείο σφράγισης της σακούλας. Σκουπίστε την υγρασία που περισσεύει με στεγνό και καθαρό χαρτί κουζίνας. Υπάρχουν πάρα πολλά υγρά στη σακούλα. Καταψύξτε το περιεχόμενο της σακούλας πριν αφαιρέσετε τον αέρα. Υπάρχει κάποια ζράα στη γραμμή σφράγισης. Τεντώστε απαλά τη σακούλα καθώς την τοποθετείτε στο δίσκο στάλαξης και συνεχίστε να κρατάτε τη σακούλα μέχρι να ξεκινήσει η αντλία κενού. Αν έχετε κάνει ήδη αυτό το βήμα και η σακούλα εξακολουθεί να μην σφραγίζεται, πραγματοποιήστε δεύτερη σφράγιση πάνω από την πρώτη.
Δεν συμβαίνει τίποτα όταν κλείσει το καπάκι και πατηθεί το κουμπί αφαίρεσης αέρα και σφράγισης ή το κουμπί στιγμιαίας σφράγισης.	Βεβαιωθείτε ότι το καπάκι είναι τελείως κλειστό με το μάνταλο στην κλειστή θέση.
Η λυχνία λειτουργίας σβήνει όταν κλείνει το καπάκι και το μάνταλο βρίσκεται στη θέση κλεισίματος.	Αν η συσκευή δεν χρησιμοποιείται για 12 λεπτά, θα μπει σε λειτουργία αναμονής και όλες οι ενδεικτικές λυχνίες θα παραμείνουν απενεργοποιημένες. Πατήστε το κατάλληλο κουμπί λειτουργίας για την επιθυμητή λειτουργία (π.χ. Αφαίρεση αέρα και σφράγιση).

Εάν η συσκευή σας περιλαμβάνει εγγύηση ή γραπτή εγγύηση καλής λειτουργίας συγκεκριμένα για τη χώρα σας, παρακαλώ ανατρέξτε στους όρους και τις προϋποθέσεις της εν λόγω ισχύουσας εγγύησης ή γραπτής εγγύησης καλής λειτουργίας ή επικοινωνήστε με τον τοπικό εξουσιοδοτημένο πωλητή σας για περισσότερες πληροφορίες.

Απόβλητα ηλεκτρικών προϊόντων δεν θα πρέπει να απορρίπτονται με τα οικιακά απορρίμματα. Παρακαλώ κάντε ανακύκλωση όταν υπάρχουν εγκαταστάσεις. Στείλτε μας e-mail στη διεύθυνση [enquiriesEurope@jardencs.com](mailto:enquiriesEurope@jardencs.com) για περισσότερες πληροφορίες ανακύκλωσης και πληροφορίες για τα απόβλητα ηλεκτρικού και ηλεκτρονικού εξοπλισμού.

Jarden Consumer Solutions (Europe) Limited  
5400 Lakeside  
Cheadle Royal Business Park  
Cheadle  
SK8 3GQ  
United Kingdom







**UK:** Jarden Consumer Solutions (Europe) Limited  
5400 Lakeside, Cheadle Royal Business Park,  
Cheadle, SK8 3GQ, United Kingdom  
e-mail: [enquiriesEurope@jardencs.com](mailto:enquiriesEurope@jardencs.com)  
Tel: +44 (0)161 621 6900

**FR:** Jarden Consumer Solutions (Europe) Limited  
420 Rue D'Estienne D'Orves  
92705 Colombes, France  
e-mail: [serviceinfoFrance@jardencs.com](mailto:serviceinfoFrance@jardencs.com)  
Tel: +33 1 49 64 2060

**ES/PT:** Oster Electrodomésticos Ibérica, S.L.  
C/ Basauri 17 Edificio Valrealty  
B Planta Baja Derecha 28023  
La Florida (Aravaca)  
Madrid, España  
Tel: 902 051 506

**IT:** NITAL S.p.A.  
Via Vittime di Piazza Fontana, 54  
10024  
Moncalieri Torino  
Tel: +39 011 814488

**NL:** IT&M BV  
Park Forum 1110,  
5657 HK Eindhoven  
e-mail: [info@itmonline.nl](mailto:info@itmonline.nl)  
Tel: +31 40 290 11 30

**DK, FI, NO, SE:** Acreto AB  
Norra Ägatan 10  
416 64 Göteborg, Sweden  
Tel: +46 31 30 00 500  
Fax: +46 31 30 00 501  
[www.acreto.se](http://www.acreto.se)



For Customer Service details, please see the website.  
Pour le service consommateurs, veuillez consulter le site web.  
Para más información de servicio, por favor visite nuestra página web.

[www.foodsavereurope.com](http://www.foodsavereurope.com)

© 2016 Jarden Consumer Solutions (Europe) Limited.

All rights reserved. Imported and distributed by Jarden Consumer Solutions (Europe) Limited, 5400 Lakeside, Cheadle Royal Business Park, Cheadle, SK8 3GQ, United Kingdom.

Jarden Consumer Solutions (Europe) Limited is a subsidiary of Newell Brands Inc. (NYSE: NWL).  
The product supplied may differ slightly from the one illustrated due to continuing product development.

Printed In China

Tous droits réservés. Distribué par Jarden Consumer Solutions (Europe) Limited, 5400 Lakeside, Cheadle Royal Business Park, Cheadle, SK8 3GQ, United Kingdom.

Jarden Consumer Solutions (Europe) Limited est une filiale de Newell Brands Inc. (NYSE: NWL).  
En raison du développement continu de nos produits, le produit livré risque de varier légèrement de l'illustration.

Imprimé en Chine

Todos los derechos reservados. Distribuido por Jarden Consumer Solutions (Europe) Limited, 5400 Lakeside, Cheadle Royal Business Park, Cheadle, SK8 3GQ, Reino Unido.

Jarden Consumer Solutions (Europe) Limited es una filial de Newell Brands Inc. (NYSE: NWL).  
El producto suministrado puede diferir ligeramente del mostrado en la imagen debido al desarrollo permanente de los productos.

Impreso en China