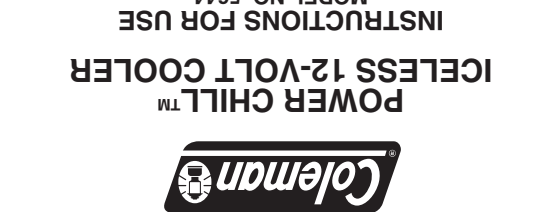


Read all instructions and warnings prior to using this Coleman® product.  
**MODEL NO. 5644**  
**INSTRUCTIONS FOR USE**  
**ICELESS 12-VOLT COOLER**  
**POWER CHILL™**  
**GLACIÈRE SANS GLACE 12 VOLTS**  
**POWER CHILL™**  
**MODE D'EMPLOI**  
**MODEL 5644**  
 Lisez directives et avertissements avant d'utiliser ce produit Coleman®.



## TROUBLESHOOTING

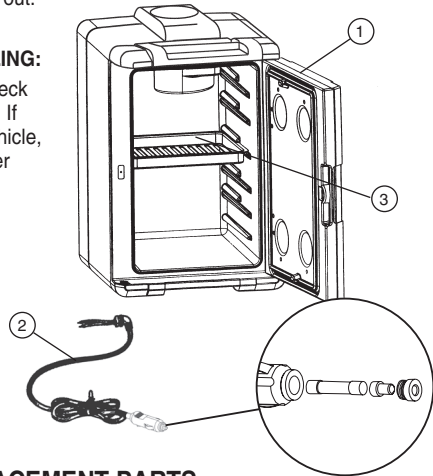
PLEASE NOTE: Attempt each of these potential solutions in sequence until the problem is corrected. If, for example, better power cord connectivity starts the fan rotating, there is no need to replace the fuse. Before troubleshooting your cooler, defrost cooler by following the steps in the "Cleaning and Maintenance" section, item #4.

### IF FAN DOES NOT ROTATE:

1. Make sure the power cord is inserted fully in the vehicle's socket or in the socket of the optional Coleman® Power Supply.
2. Check the fuse in the power cord to make sure it is not burned out. If yes, replace with same type and rated fuse.  
Fuse: Bussman #MDL-7-R
3. If using optional power supply, check to see if cooler works in a vehicle. If cooler operation is normal in a vehicle, then replace power supply. (Power supply output should be 12 VDC @ 5 AMPS).
4. Check the vehicle's cigarette lighter fuse to make sure it is not burned out. If yes, replace the fuse.

### IF FAN ROTATES WITH NO COOLING:

5. If using optional power supply, check to see if cooler works in a vehicle. If cooler operation is normal in a vehicle, then replace power supply. (Power supply output should be 12 VDC.)



## REPLACEMENT PARTS

1. Lid with latch and gasket. Item No. **5644-5501**.
2. 8-foot power cord w/fuse. Item No. **5644-3661**.  
Fuse: Bussman #MDL-7-R
3. Tray. Item No. **5640-2501** (white), **5640-1181** (silver).

If your retailer does not have these items you may purchase them by calling - in U.S.A. **1-800-835-3278 TDD: 1-316-832-8707** or, in Canada **1-800-387-6161**. Or you may write to:

The Coleman Company, Inc. 3600 North Hydraulic Wichita, KS 67219 U.S.A.	Sunbeam Corporation (Canada) Limited DBA Jarden Consumer Solutions 20B Hereford Street Brampton, ON L6Y 0M1
---	--

Attention: Consumer Service

## SPECIFICATIONS<sup>1</sup>

### CAPACITY:

Fifty-eight (12 oz.) beverage cans or six (2 liter) beverage bottles. 40 U.S. Quarts, 1.34 cu-ft, 37.85 liters inside volume.

### DIMENSIONS & WEIGHTS

Average inside dimensions: 15-3/4 x 10 x 12-1/2 tall  
 Outside dimensions: 23-1/2 x 15 x 17-1/8 tall  
 Shipping dimensions: 25 x 17-1/4 x 18-5/8 tall  
 Empty Weight: 17 lbs.  
 Shipping Weight: 19 lbs.

### POWER REQUIREMENTS

9.5 to 14.4 Volts DC, 4 Amperes @ 12 Volts DC Nominal.

### COOLING PERFORMANCE

Cools from 38 °F to 42 °F below the average surrounding temperature. Empty cooler reaches minimum temperature in 3 hours.

### ELECTRICAL EQUIPMENT

8 foot 18 AWG copper power cord with red LED power indication.  
 DC fan motor.  
 High temperature cut-out switch.  
 Thermoelectric Cooling (Peltier Element).  
 Specifications subject to change without notice.

## DÉPISTAGE DES PANNES

REMARQUE: Essayez chacune des suggestions dans l'ordre donné jusqu'à ce que la panne soit fixée. Remplacer le fusible est inutile si, par exemple, la meilleure connexion du cordon fait démarrer le ventilateur. Dégivrez la glacière avant de commencer (consultez le paragraphe 4 sous «Nettoyage et entretien»).

### LE VENTILATEUR NE TOURNE PAS:

1. Assurez-vous que la fiche du cordon d'alimentation soit enfoncée à fond dans la douille de l'allume-cigare ou dans la douille du bloc d'alimentation optionnel de Coleman®.
2. Vérifiez le fusible du cordon d'alimentation pour vous assurer qu'il n'ait pas grillé. S'il a grillé, remplacez-le par un fusible de même type et de même calibre.  
Fusible: Bussman n° MDL-7-R
3. Lors de l'utilisation d'un bloc d'alimentation optionnel, vérifiez que la glacière marche convenablement dans un véhicule. Si le fonctionnement est normal dans le véhicule, remplacez le bloc d'alimentation. (Il doit être de 12 volts c.c. à 5 ampères).
4. Vérifiez le fusible de l'allume-cigare du véhicule pour vous assurer qu'il ne soit pas grillé. S'il est grillé, remplacez-le.

### LE VENTILATEUR TOURNE MAIS NE REFROIDIT PAS:

5. Si vous vous servez d'un bloc d'alimentation, assurez-vous que la glacière fonctionne lorsque branchée dans un véhicule. Si elle marche, remplacez le bloc d'alimentation (qui doit être de 12 volts c.c.).

## PIÈCES DE RECHANGE

1. Couverture avec loquet et joint d'étanchéité. Article **5644-5501**.
2. Cordon d'alimentation de 2,4 m (8 pi) avec fusible. Article **5644-3661**.  
Fusible: Bussman n° MDL-7-R
3. Plateau. Article **5640-2501** (blanc), **5640-1181** (argent).

Si votre marchand ne tient pas ces articles, vous pouvez vous les procurer en composant le **1-800-387-6161**.

Ou bien écrivez au Service à la clientèle, Sunbeam Corporation (Canada) Limited, DBA Jarden Consumer Solutions, 20B Hereford Street, Brampton, ON L6Y 0M1

## DONNÉES TECHNIQUES<sup>1</sup>

### CONTENANCE

58 canettes de 330 mL (12 oz) ou 6 bouteilles de 2 litres.  
 Cavité de 0,038 m<sup>3</sup> (1,34 pi<sup>3</sup>), 37,85 litres (40 pintes étatsuniennes).

### DIMENSIONS ET POIDS

Dimensions intérieures moyennes: 40 x 25,4 x 31,8 cm (15,75 x 10 x 12,5 po) de hauteur.

Dimensions extérieures: 59,7 x 38,1 x 43,4 cm (23,5 x 15 x 17,1 po) de hauteur.  
 Dimensions d'expédition: 63,5 x 43,8 x 47,2 cm (25 x 17,25 x 18,6 po) de hauteur.  
 Poids à vide: 7,7 kg (17 lb).  
 Poids d'expédition: 8,6 kg (19 lb).

### EXIGENCES D'ALIMENTATION

Courant continu de 9,5 à 14,4 volts, 4 ampères à 12 volts c.c. en moyenne.

### RENDEMENT DE REFROIDISSEMENT

Abaisse la température de 21 à 23 °C (38 à 42 °F) par rapport à la température ambiante moyenne. Vide, elle atteint la température minimale en 3 heures.

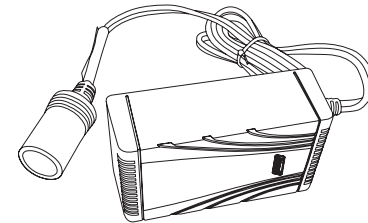
### ÉQUIPEMENT ÉLECTRIQUE

Cordon d'alimentation cuivre 18 AWG de 2,4 m (8 pi) avec luminodiode rouge de mise sous tension.  
 Moteur de ventilateur c.c.  
 Disjoncteur de haute température.  
 Refroidissement thermoélectrique (Élément Peltier).  
 Données techniques susceptibles d'être modifiées sans préavis.

1. **120 Volt AC/12 Volt DC Power Supply**, allows operation of your cooler in your home or in any other weather-protected area where household voltage is available. **Item No. 2000000251**.
2. **Battery Clips**, allow operation of your cooler from any 12 Volt battery where a cigarette-lighter receptacle is not available. **Item No. 5999-012**

**ACCESSORIES**  
(NOT INCLUDED)

**ACCESSOIRES**  
(NON INCLUS)



1. **Bloc d'alimentation 120 volts c.a./ 12 volts c.c.** - permet de faire marcher la glacière à la maison ou dans tout endroit à l'abri des intempéries, quand le courant alternatif y est disponible. **Article 2000000251**
2. **Pinces de batterie** - pour faire fonctionner la glacière sur batterie de 12 volts quand un allume-cigare n'est pas disponible. **Article 5999-012**

## USING DEEP CYCLE RV/MARINE BATTERIES

Auxiliary 12V deep cycle RV/Marine batteries when used only for operating this cooler, will operate this cooler for several hours before charging is necessary. The following table may be used as a guide to determine maximum hours of operation between charging.

## EMPLOI DES BATTERIES À DÉCHARGE PROFONDE POUR VÉHICULES DE PLAISANCE OU BATEAUX

Lorsque uniquement utilisées pour alimenter la glacière, ces batteries auxiliaires de 12 volts feront fonctionner la glacière un certain nombre d'heures avant de devoir être rechargées. Le tableau suivant donne une idée de la durée du fonctionnement entre les recharges.

Battery Rating		Maximum Operating Time in Hours
R.C. <sup>2</sup>	M.C.A. <sup>3</sup>	
140	700	18
180	800	24
210	900	27
390	1625	48

Puissance de la batterie		Durée maximale de fonctionnement
C.R. <sup>2</sup>	A.A.D. <sup>3</sup>	
140	700	18 heures
180	800	24 heures
210	900	27 heures
390	1625	48 heures

<sup>1</sup>RESERVE CAPACITY is the number of minutes the battery will sustain a 25 ampere output at 80 °F before dropping below 10.5 volts.  
<sup>2</sup>MARINE CRANKING AMPERES is the number of amperes the battery will sustain for 30 seconds at 32 °F before dropping below 7.2 volts.

<sup>3</sup>CAPACITÉ DE RÉSERVE: Le nombre de minutes pendant lequel la batterie maintient un rendement de 25 ampères à 27 °C (80 °F) avant de baisser à moins de 10,5 volts.  
<sup>3</sup>AMPÈRES AU DÉMARRAGE: Le nombre d'ampères que la batterie peut maintenir pendant 30 secondes à 0 °C (32 °F) avant de baisser à moins de 7,2 volts.

## Coleman Limited One-Year Warranty

The Coleman Company, Inc. ("Coleman") warrants that for a period of one (1) year from the date of original retail purchase, this product will be free from defects in material and workmanship. Coleman, at its option, will repair or replace this product or any component of the product found to be defective during the warranty period. Replacement will be made with a new or remanufactured product or component. If the product is no longer available, replacement may be made with a similar product of equal or greater value. No warranty is provided for batteries. This is your exclusive warranty.

This warranty is valid for the original retail purchaser from the date of initial retail purchase and is not transferable. Keep the original sales receipt. Proof of purchase is required to obtain warranty performance. Coleman dealers, service centers, or retail stores selling Coleman® products do not have the right to alter, modify or in any way change the terms and conditions of this warranty.

### What This Warranty Does Not Cover

This warranty does not cover normal wear of parts, parts that are not genuine Coleman® parts, or damage resulting from any of the following: negligent use or misuse of the product; use on improper voltage or current; commercial use of the product; use contrary to the operating instructions; disassembly, repair or alteration by anyone other than Coleman or an authorized service center. Further, the warranty does not cover Acts of God, such as fire, flood, hurricanes and tornadoes. Warranty void if damage to the product results from the use of a part other than a genuine Coleman® part.

**COLEMAN SHALL NOT BE LIABLE FOR DEFECTS THAT ARE CAUSED BY THE USE OF UNAUTHORIZED PARTS OR SERVICE. COLEMAN SHALL NOT BE LIABLE FOR ANY INCIDENTAL OR CONSEQUENTIAL DAMAGES CAUSED BY THE BREACH OF ANY EXPRESS OR IMPLIED WARRANTY OR CONDITIONS. EXCEPT TO THE EXTENT PROHIBITED BY APPLICABLE LAW, ANY IMPLIED WARRANTY OF MERCHANTABILITY OR FITNESS FOR A PARTICULAR PURPOSE IS LIMITED IN DURATION TO THE DURATION OF THE ABOVE WARRANTY OR CONDITIONS. SOME STATES, PROVINCES, OR JURISDICTIONS DO NOT ALLOW THE EXCLUSION OR LIMITATION OF INCIDENTAL OR CONSEQUENTIAL DAMAGES OR LIMITATIONS ON HOW LONG AN IMPLIED WARRANTY LASTS, SO THE ABOVE LIMITATIONS OR EXCLUSION MAY NOT APPLY TO YOU. THIS WARRANTY GIVES YOU SPECIFIC LEGAL RIGHTS, AND YOU MAY ALSO HAVE OTHER RIGHTS THAT VARY FROM STATE TO STATE OR PROVINCE TO PROVINCE.**

### How to Obtain Warranty Service

Take the product to an authorized Coleman service center. You can find the nearest authorized Coleman service center by visiting [www.coleman.com](http://www.coleman.com) or calling 1-800-835-3278 or TDD 1-316-832-8707 in the United States or 1-800-387-6161 in Canada. If a service center is not conveniently located, attach to the product a tag that includes your name, address, daytime telephone number and description of the problem. Include a copy of the original sales receipt. **Carefully package the product and send either by courier or insured mail with shipping and insurance prepaid to:**

#### For products purchased in the United States:

The Coleman Company, Inc.  
 3600 North Hydraulic  
 Wichita, KS 67219 U.S.A.

#### For products purchased in Canada:

Sunbeam Corporation (Canada) Limited  
 DBA Jarden Consumer Solutions  
 20B Hereford Street  
 Brampton, ON L6Y 0M1

The costs of transporting the product to Coleman or an authorized service center for warranty service is the responsibility of the purchaser.

**DO NOT RETURN THIS PRODUCT TO THE PLACE OF PURCHASE.**

If you have any questions regarding this warranty please call 1-800-835-3278 or TDD 1-316-832-8707 in the United States or 1-800-387-6161 in Canada.

© 2010 The Coleman Company, Inc. All rights reserved. Coleman®, *Coleman®* and Brite Ice® are registered trademarks and Chillers™ and Power Chill™ are trademarks of The Coleman Company, Inc. U.S. Patent: 6,073,789 Other patents pending



## FOLLOW INSTRUCTIONS AND WARNINGS TO AVOID INJURY OR PROPERTY DAMAGE.

### ▲ WARNING

- Always shelter your cooler and optional power supply from rain and snow. Water splashed on the power supply, fan motor, or other electrical parts may result in fire, causing personal injury or component failure.
- This cooler operates only on power sources ranging from 9.5 to 14.4 Volts DC. These are voltages typically found in the batteries of cars and trucks. Use 120 Volt AC only with the adaptor designed for your unit (Item No. 2000000251) to prevent damage which would void the warranty.
- The power cord has a fuse for extra circuit protection. For continued protection against the risk of fire replace with only the same type and ratings of fuse.  
Fuse: Bussman #MDL-7-R
- Do not use ice in this cooler. Water from the melting ice may damage the fan motor or create frost-buildup on the inside aluminum fins.

## OPERATING INSTRUCTIONS

This cooler may be operated in either a horizontal or vertical position. When used in the vertical position, make sure that the cooling vent is always **positioned at the top and that it is never covered.**

The cooler's lid may be removed and then, for additional convenience, reinstalled to open in the opposite direction. To change the direction of the lid's opening:

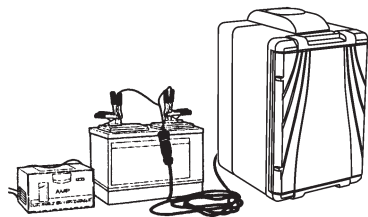
- Place the cooler with its back surface on the floor.
- Open the lid until it contacts the two built-in stops for the lid.
- Now, open the lid still further until it pops out of the cooler's case.
- Switch latch plate and cover plate on liner so that latch plate will match reversed lid opening.
- Rotate the lid, and replace the lid on the cooler case.
- Push down on the lid near its hinge pins until they are positively engaged in the hinge sockets of the case.

**NOTE: This cooler generates heat. Consequently, it needs free circulation of air to perform properly. Its fan must be able to breathe. Do not place anything on top of the cooling vent. Never operate the cooler in hot, enclosed environments - automobile trunks, for example. While using the cooler in parked vehicles, open the windows slightly.**

Continuous operation is possible when the cooler is connected to the following power sources:

- The CIGARETTE-LIGHTER RECEPTACLE of a vehicle with its engine running.
- A 12-Volt (6 to 10 AMPERE AUTOMATIC) or a 12-Volt (6 AMPERE NONAUTOMATIC) battery charger connected to a 12-Volt battery, see figure 1.
- A Coleman POWER SUPPLY Model No. 2000000251 connected to a 120-Volt 60Hz wall socket. (See accessories section.)

FIGURE 1



**PLEASE NOTE: When a vehicle's battery is not being charged (usually when the vehicle's engine is not running), this cooler should not be operated more than about 4 hours. Longer operation will almost always shorten the battery's life in the long term and diminish its starting power in the short term. (See the following section on RV/ Marine batteries for battery usage over extended periods of time.)**

**(PLEASE NOTE: Battery chargers have an AC output that will damage the fan motor and reduce cooling performance. The 12-volt battery in the circuit removes this harmful AC output.)**

## KEEPING FOODS AND BEVERAGES COLD

- Connect the cooler to one of the power sources previously mentioned.
- This cooler will not chill foods and beverages as fast as your home refrigerator. Please don't expect it to do so. An empty cooler will cool down in about 3 hours. Warm items placed in the cooler will slow the cooling rate.

## TIPS

Use these simple techniques to accelerate your cooler's rate of cooling and to prolong its chilling power.

- For faster cooling, prechill items of food and drink in your home refrigerator before placing them in the cooler. Whenever possible, purchase beverages that have already been chilled. Use frozen Coleman® Chillers™ Brite Ice® ice substitutes to chill the cooler's contents even quicker.
- Do not use ice in this cooler. Water from the melting ice may damage the fan motor or create frost-buildup on the inside aluminum fins.
- On average, the inside of your cooler will be about 40 °F cooler than the surrounding temperature. For example, if the surrounding temperature is 80 °F, the cooler will be about 40 °F.
- If the surrounding temperature is less than 74 °F, don't prechill food or beverages. At cooler operating temperatures (below 74 °F), keep the cooler full to avoid unwanted freezing of items.

## CLEANING AND MAINTENANCE

### Unplug cooler before cleaning or servicing your cooler.

- All surfaces may be cleaned with a small amount of dishwashing solution applied with a damp sponge. Do not oversaturate the sponge. Towel dry all water from inside cooler.
- Tough stains may be removed with an all-purpose liquid cleaner sprayed on the stain and then scrubbed with a plastic scrubber or brush. All liquid cleaners should be removed with a damp sponge.
- To prevent odors from accumulating in the cooler, leave the lid open for several hours after each use.
- Defrost your cooler if you notice diminished cooling capability, ice buildup on internal fins or notice less air flow through the internal fins. Your cooler may be easily defrosted by following these steps:
  - Remove all items from the cooler.
  - Turn off the cooler.
  - Place the cooler in its horizontal position with lid open.
  - Allow to defrost completely.
  - Sponge or towel all water from inside the cooler.
  - Reconnect power to cooler and return items.
- At least once a year remove the cooling vent cover and brush any lint and dirt from the fan blades and outside heat sink with a soft bristled brush. Lint on these parts will reduce the cooling ability of the cooler. All other parts of the cooler may be cleaned with a sponge or brush and dishwashing solution.

## OBSERVEZ CES INSTRUCTIONS ET AVERTISSEMENTS POUR ÉVITER BLESSURES ET DOMMAGES MATÉRIELS.

### ▲ AVERTISSEMENT

- Mettez toujours la glacière et le bloc d'alimentation optionnel à l'abri de la pluie et de la neige. Des éclaboussures d'eau sur le bloc d'alimentation, sur le moteur du ventilateur ou sur les pièces électriques pourraient entraîner un incendie, des blessures corporelles et peut-être même une panne.
- Cette glacière fonctionne sur courant continu uniquement de 9,5 à 14,4 volts, la gamme de tension typique des batteries des voitures et des camions. Pour la brancher sur courant alternatif de 120 volts, ne vous servez que de l'adaptateur spécialement conçu pour l'appareil (article n° 2000000251) afin d'éviter tout endommagement qui annulerait la garantie.
- Par mesure de protection du circuit, le cordon d'alimentation est en outre pourvu d'un fusible. Pour assurer une protection continue contre les incendies, ne le remplacez que par un fusible de même type et de même calibre.  
Fusible: Bussman n° MDL-7-R
- N'employez pas de glace dans cette glacière électrique. L'eau de la fonte pourrait abîmer le moteur du ventilateur et se congeler sur les ailettes intérieures d'aluminium.

## MODE D'EMPLOI

Cette glacière peut être utilisée en position horizontale ou verticale. Lorsque employée à la verticale, assurez-vous que la prise d'air se trouve **au haut et ne la recouvrez pas.**

Par mesure de commodité, le couvercle de la glacière peut être enlevé puis changé pour ouvrir dans le sens opposé. Agissez ainsi pour changer le sens d'ouverture:

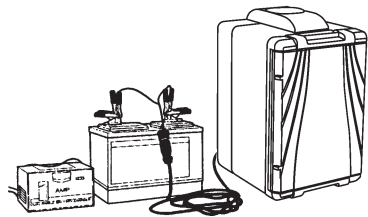
- Placez la glacière par terre, sur son panneau arrière.
- Ouvrez le couvercle jusqu'à ce qu'il vienne en contact avec les deux dispositifs d'arrêt.
- Continuez à ouvrir le couvercle jusqu'à ce qu'il soit libéré du coffre.
- Changez la position de la têtère et de la plaque-couvercle sur le bac intérieur pour assortir le loquet au sens d'ouverture.
- Tournez le couvercle puis réadaptez-le au coffre.
- Appuyez sur le couvercle près des axes d'articulation, jusqu'à ce que ceux-ci soient impeccablement enclenchés dans les douilles à cet effet du coffre.

**Remarque: Cette glacière produit de la chaleur. Elle requiert une circulation d'air inobstruée pour fonctionner convenablement. Son ventilateur doit pouvoir respirer. Ne recouvrez jamais la prise d'air. Ne faites jamais fonctionner la glacière dans les lieux clos et chauds – les coffres de voiture, par exemple. Lors de son emploi dans un véhicule en stationnement, entr'ouvrez les fenêtres.**

La glacière peut fonctionner de façon continue lorsque connectée aux sources d'énergie suivantes:

- L'ALLUME-CIGARE d'un véhicule dont le moteur tourne.
- Un chargeur de batterie de 12 volts - AUTOMATIQUE de 6 à 10 AMPÈRES ou MANUEL de 6 volts - branché sur batterie de 12 volts, voyez la figure 1.
- Un BLOC D'ALIMENTATION Coleman, modèle 2000000251, branché sur prise murale de courant alternatif de 120 volts, 60 Hz. (Consultez la section des accessoires.)

FIGURE 1



**REMARQUE: Quand la batterie du véhicule ne se recharge pas (généralement parce que le véhicule est au repos), la glacière ne devrait pas fonctionner plus d'environ 4 heures d'affilée sous peine d'écourter la durée de service de la batterie à longue échéance et de réduire la puissance de démarrage à courte échéance. (Voyez la section relative aux batteries à décharge profonde pour véhicules de plaisance et bateaux qui permettent une utilisation plus longue.)**

**(REMARQUE: Ayant une sortie alternative, les chargeurs de batterie endommagent le moteur du ventilateur et réduisent le rendement de refroidissement. La mise en circuit de la batterie de 12 volts rétablit les choses.)**

## POUR GARDER FROID

- Connectez la glacière à l'une des sources d'énergie préalablement mentionnées.
- Cette glacière ne refroidit pas les denrées aussi vite qu'un réfrigérateur domestique. Vide, elle atteint sa température minimale en environ 3 heures. Placer des aliments tièdes ou chauds dans la glacière ralentit en outre le refroidissement.

## CONSEILS PRATIQUES

Utilisez ces simples procédés afin d'accélérer le refroidissement et d'en prolonger la puissance.

- Pour réduire la durée de refroidissement, réfrigérez aliments et boissons dans votre réfrigérateur domestique avant de les placer dans la glacière. Achetez de préférence des boissons froides. L'emploi de produits frigorifiques Brite Ice® de Coleman® Chillers™ accélérera encore plus le refroidissement.
- N'employez pas de glace dans cette glacière électrique. L'eau de la fonte pourrait abîmer le moteur du ventilateur et se congeler sur les ailettes d'aluminium.
- En moyenne, la température intérieure de la glacière sera d'environ 22 °C (40 °F) de moins que la température ambiante. Si, par exemple, la température ambiante est de 27 °C (80 °F), la température à l'intérieur de la glacière sera d'environ 5 °C (40 °F).
- Il est inutile de refroidir les vivres quand la température ambiante est de moins de 23 °C (74 °F). Dans ce cas, gardez la glacière pleine pour que certains aliments ne gèlent pas.

## NETTOYAGE ET ENTRETIEN

### Débranchez toujours la glacière avant de la nettoyer ou de la dépanner.

- Toutes les surfaces peuvent être nettoyées avec un peu de détergent à vaisselle appliqué à l'aide d'une éponge humide mais non saturée. Asséchez tout l'intérieur avec une serviette éponge.
- Servez-vous d'un liquide de nettoyage tous usages pour enlever les taches tenaces. Vaporisez-le sur la surface puis frottez avec un tampon ou une brosse de plastique. Enlevez toutes traces de liquide de nettoyage à l'aide d'une éponge humide.
- Pour éviter les mauvaises odeurs, laissez le couvercle ouvert plusieurs heures en fin d'utilisation.
- Dégivrez la glacière si vous remarquez qu'elle ne refroidit pas aussi bien, que de la glace s'accumule sur les ailettes intérieures ou que moins d'air traverse ces ailettes. L'opération est simple si vous agissez tel qu'indiqué ci-après:
  - Videz complètement la glacière.
  - Réglez la glacière à l'arrêt.
  - Placez la glacière en position horizontale, avec le couvercle ouvert.
  - Laissez-la totalement décongeler.
  - Asséchez le bac avec une éponge ou une serviette en tissu éponge.
  - Remettez la glacière sous tension puis remplacez les vivres dans le bac.
- Au moins une fois par an, retirez le couvercle de l'évent de refroidissement puis, à l'aide d'une brosse à poils doux, enlevez la peluche et les saletés qui encrassent les pales du ventilateur et la surface extérieure du dissipateur thermique. La peluche accumulée sur ces pièces réduit l'efficacité de refroidissement de la glacière.

Toutes les autres pièces peuvent être nettoyées avec une éponge ou une brosse et une solution contenant du détergent à vaisselle.

## Garantie limitée de un an de Coleman

The Coleman Company, Inc. (« Coleman ») garantit cet article contre tout vice de matériau et de fabrication pendant une période de un (1) an courant à compter de la date de l'achat. Coleman se réserve le droit de choisir entre réparer ou remplacer cet article ou toute pièce de celui-ci dont la défectuosité a été constatée au cours de la période de garantie. Le remplacement se fera au moyen d'un produit neuf ou remanufacturé ou bien d'une pièce neuve ou remanufacturée. Si l'article n'est plus disponible, il sera remplacé par un article semblable, de valeur égale ou supérieure. Aucune garantie n'est fournie pour les piles. La présente constitue votre garantie exclusive.

Cette garantie n'est valable que pour l'acheteur au détail original à partir de la date de l'achat au détail initial et elle n'est pas transférable. Veuillez conserver le reçu d'achat original. La preuve d'achat est exigée pour tout service couvrant par la garantie. Les concessionnaires Coleman, les centres de service et les détaillants qui vendent des articles Coleman® n'ont pas le droit d'altérer, de modifier ou de changer d'une manière quelconque les modalités de cette garantie.

### Ce que ne couvre pas cette garantie

Cette garantie ne couvre pas l'usure normale des pièces, les pièces autres que les pièces authentiques Coleman® ou l'endommagement attribuable à toute raison suivante: à la négligence, à l'utilisation abusive du produit, au branchement sur un circuit de tension ou courant inapproprié, à l'utilisation commerciale du produit, au non-respect du mode d'emploi, au démontage et à la réparation ou à l'altération par quiconque, sauf Coleman ou un centre de service agréé Coleman. Cette garantie ne couvre pas non plus les cas de force majeure comme incendies, inondations, ouragans et tornades. La garantie est automatiquement annulée si l'endommagement du produit découle de l'utilisation d'une pièce autre qu'une pièce de marque Coleman®.

**COLEMAN N'ASSUME AUCUNE RESPONSABILITÉ POUR LES VICES RÉSULTANT DE L'EMPLOI DE PIÈCES NON AUTORISÉES OU DE RÉPARATIONS EXÉCUTÉES PAR UN PERSONNEL NON AUTORISÉ. COLEMAN DÉCLINE TOUTE RESPONSABILITÉ EN CAS DE DOMMAGES ACCESSOIRES OU INDIRECTES RÉSULTANT DU NON-RESPECT DE TOUTE GARANTIE OU CONDITION EXPLICITE OU IMPLICITE. SAUF DANS LA MESURE INTERDITE PAR LA LÉGISLATION PERTINENTE, TOUTE GARANTIE IMPLICITE DE QUALITÉ COMMERCIALE OU D'APPLICATION À UN USAGE PARTICULIER EST LIMITÉE À LA DURÉE DE LA GARANTIE OU CONDITION CI-DESSUS. CERTAINS ÉTATS ET CERTAINES PROVINCES OU JURIDICTIONS INTERDISENT D'EXCLURE OU DE LIMITER LES DOMMAGES ACCESSOIRES OU INDIRECTS, OU NE PERMETTENT PAS LA LIMITATION DE LA DURÉE D'APPLICATION DE LA GARANTIE IMPLICITE, DE SORTE QUE VOUS POUVEZ NE PAS ÊTRE ASSUJETTI AUX LIMITES OU EXCLUSIONS ÉNONCÉES CI-DESSUS. CETTE GARANTIE VOUS CONFÈRE DES DROITS JURIDIQUES PRÉCIS ET VOUS POUVEZ AVOIR D'AUTRES DROITS, CES DROITS VARIANT D'UN ÉTAT OU D'UNE PROVINCE À L'AUTRE.**

### Comment obtenir le service prévu par la garantie

Apportez l'article à un Centre de service agréé Coleman. Pour obtenir l'adresse du plus proche centre de service agréé Coleman, visitez le [www.coleman.com](http://www.coleman.com) ou bien composez le 1-800-835-3278 ou le ATS 1-316-832-8707 aux États-Unis, le 1-800-387-6161 au Canada. S'il n'y a pas de centre de service facile d'accès, fixez une étiquette sur l'article précisant vos nom, adresse, numéro de téléphone le jour et la description de la défectuosité. Veuillez inclure une copie du reçu d'achat original. **Emballez soigneusement le produit et envoyez le colis en port et assurance payés, par messagerie ou autre service, avec valeur déclarée, à l'une des adresses suivantes :**

#### Pour les produits achetés aux États-Unis:

The Coleman Company, Inc.  
3600 North Hydraulic  
Wichita, KS 67219 U.S.A.

#### Pour les produits achetés au Canada:

Sunbeam Corporation (Canada) Limited  
DBA Jarden Consumer Solutions  
20B Hereford Street  
Brampton, ON L6Y 0M1

Les frais de transport du produit à Coleman ou à un centre de service agréé, en vue de la réparation sous garantie du produit, incombent à l'acheteur.

**NE RETOURNEZ PAS CE PRODUIT AU LIEU D'ACHAT.**

Si vous avez toute question quant à cette garantie, veuillez composer le 1-800-835-3278 ou le ATS 1-316-832-8707 aux États-Unis, et le 1-800-387-6161 au Canada.

© 2010 The Coleman Company, Inc. Tous droits réservés. Coleman®, *Coleman's* et Brite Ice® sont des marques déposées et Chillers™ et Power Chill™ sont des marques de commerce de The Coleman Company, Inc. Brevet aux États-Unis: 6,073,789 Autres brevets en instance

